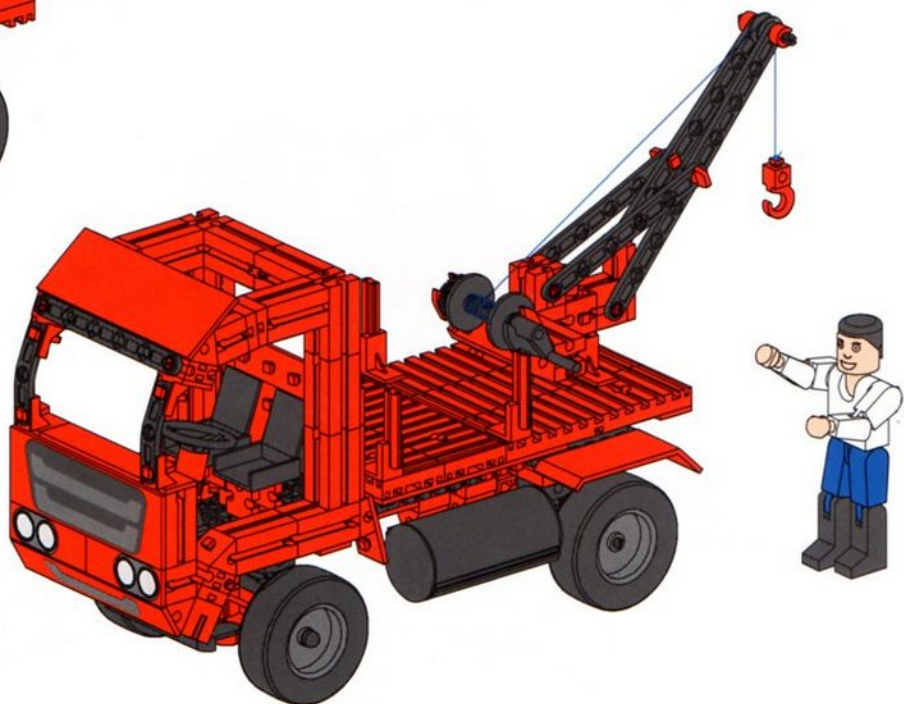


# AUTOMOBILE

fischertechnik 

ADVANCED



**Inhalt**  
**Contents**  
**Contenu**

**Inhoud**  
**Contenido**  
**Conteúdo**

Einzelteilübersicht / Spare parts list / Liste des pièces détachées / Onderdelenoverzicht / Lista da peças / Resumo de peça individual ..... S./p. 2

Montagetipps / Tips for assembly / Tuyaux pour le montage / Montagetips / Consejos para el montaje / "Dicas" para montagem ..... S./p. 3



Buggy ..... S./p. 5



Unitrac ..... S./p. 9



Roadster ..... S./p. 15

Roadster mit Motorisierung / Roadster with motorization /  
 Roadster avec motorisation / Roadster met motorisering /  
 Roadster con motorización / Roadster com motorização ..... S./p. 22



Offroad ..... S./p. 30

Offroad mit Motorisierung / Offroad with motorization /  
 Offroad avec motorisation / Offroad met motorisering /  
 Offroad con motorización / Offroad com motorização ..... S./p. 34



**Inhalt**  
**Contents**  
**Contenu**

**Inhoud**  
**Contenido**  
**Conteúdo**

LKW-Basismodell / Truck basic model / Camion de base /  
Basismodel voor vrachtwagens / Modelo básico del camión /  
Caminhão-Modelo básico . . . . . S. / p. 41



Kipper / Kipper truck / Benne basculante / Kiepwagen /  
Camión volquete / Caminhão com caçamba basculante . . . . . S. / p. 50

LKW mit Ladekran / Truck with lifting crane / Camion avec  
grue de chargement / Vrachtwagen met laad- en loskraan /  
Camión con grúa de carga / Caminhão com guincho de carregamento S. / p. 54



Abschleppwagen / Tow truck / Dépanneuse  
Kraanwagen / Coche-grúa / Carro reboque . . . . . S. / p. 57













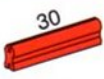








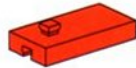







































Container Truck . . . . . S. / p. 60



**Einzelteilübersicht**  
**Spare parts list**  
**Liste des pièces détachées**

**Onderdelenoverzicht**  
**Lista da piezas**  
**Resumo de peça individual**

 60°	31 010 14 x		31 915 1 x		32 870 2 x		35 129 2 x
 30°	31 011 8 x		31 916 1 x		32 881 6 x	 98	35 414 1 x
 15	31 060 10 x		31 918 2 x		32 913 4 x		35 806 1 x
 30	31 061 8 x	 15°	31 981 10 x		35 033 2 x		
	31 426 2 x		31 982 17 x		35 039 1 x		35 945 1 x
	31 436 4 x		31 983 2 x		35 049 4 x		35 971 2 x
	31 597 2 x		31 997 1 x		35 050 2 x		35 972 1 x
	31 670 1 x		31 998 1 x		35 061 2 x		35 973 1 x
	31 674 5 x		32 064 4 x		35 062 1 x		35 977 1 x
	31 690 1 x	 7,5°	32 071 6 x	 30	35 063 1 x		35 998 2 x
	31 766 2 x		32 330 2 x	 45	35 064 1 x	 4	36 323 6 x
	31 843 2 x		32 852 1 x	 60	35 065 1 x		36 702 2 x
	31 848 6 x		32 855 2 x		35 067 1 x		36 703 4 x
	31 888 2 x		32 857 10 x	 75	35 087 1 x		36 819 3 x
	31 894 1 x		32 859 5 x		35 088 1 x	 30	36 912 4 x

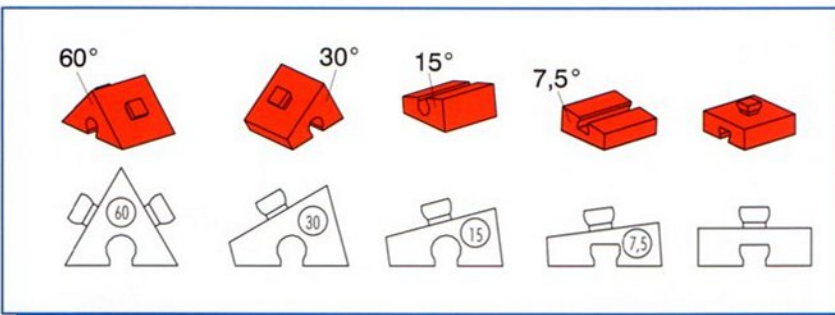
**Einzelteilübersicht**  
**Spare parts list**  
**Liste des pièces détachées**

	36 913 3 x		37 679 3 x
	36 914 1 x		38 225 1 x
	36 923 3 x		38 240 4 x
	37 237 24 x		38 241 11 x
	37 238 10 x		38 242 2 x
	37 468 11 x		38 245 7 x
	37 636 2 x		38 246 2 x

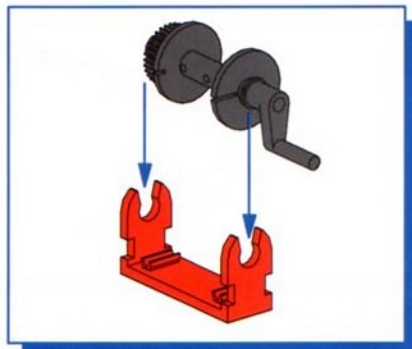
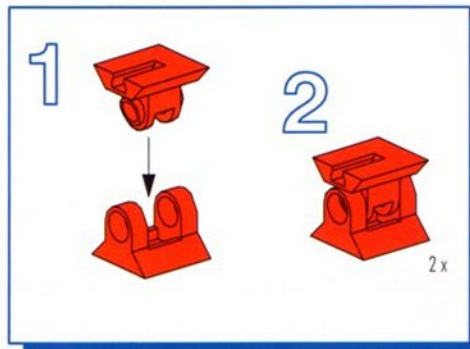
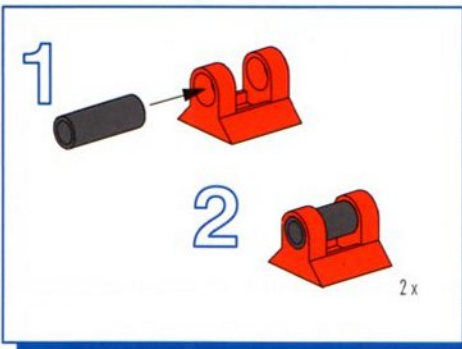
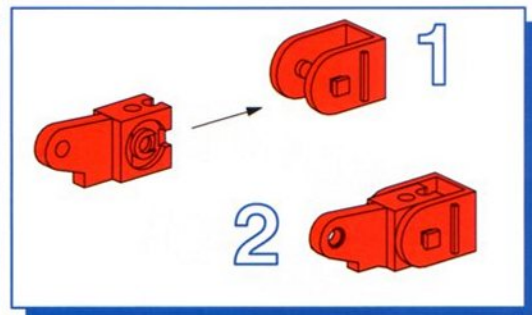
**Onderdelenoverzicht**  
**Lista da piezas**  
**Resumo de peça individual**

	38 249 2 x		38 546 2 x
	38 251 3 x		116 251 22 x
	38 258 1 x		116 252 17 x
	38 423 12 x		116 910 1 x
	38 428 7 x		116 913 4 x
	38 464 6 x		
	38 472 1 x		

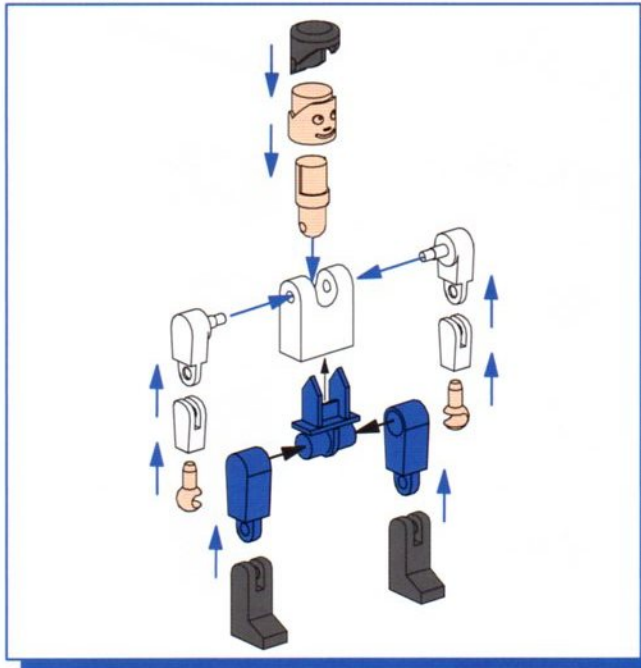
**Montagetipps**  
**Tips for assembly**  
**Tuyaux pour le montage**



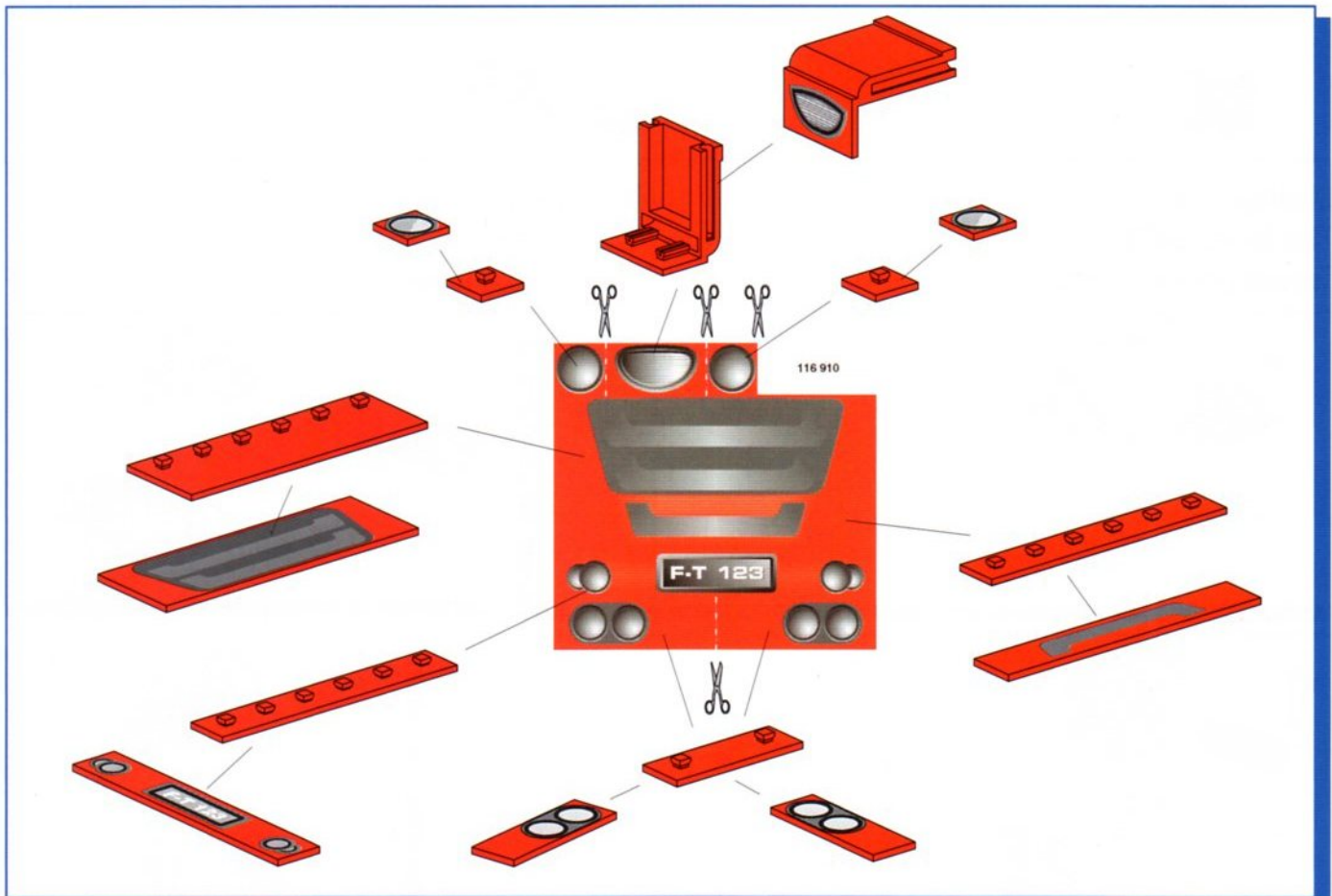
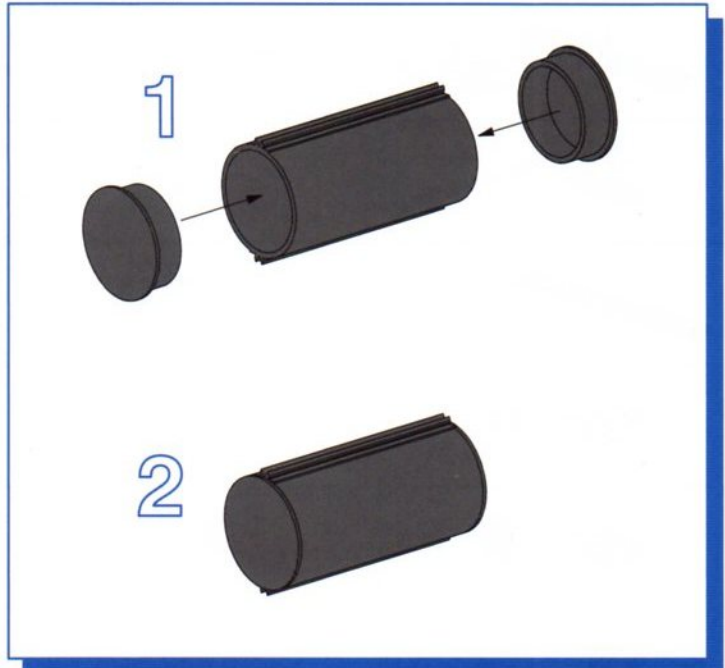
**Montagetipps**  
**Consejos para el montaje**  
**"Dicas" para montagem**



**Montagetipps**  
**Tips for assembly**  
**Tuyaux pour le montage**



**Montagetipps**  
**Consejos para el montaje**  
**"Dicas" para montagem**



- Alle Einzelteile, insbesondere bewegliche Teile sind falls notwendig zu warten und zu reinigen.
- All components, especially moving parts, should be maintained and cleaned as necessary.
- Toutes les pièces détachées et en particulier les pièces mobiles, sont, si nécessaire, à entretenir et à nettoyer.
- Achtung  
Verletzungsgefahr an Bauteilen mit funktionsbedingten scharfen Kanten und Spitzen!
- Caution  
Be careful not to hurt yourself on components with sharp or pointed edges!
- Attention  
Risque de blessure sur les éléments comportant des arêtes et o pointes vives indispensables au bon fonctionnement!

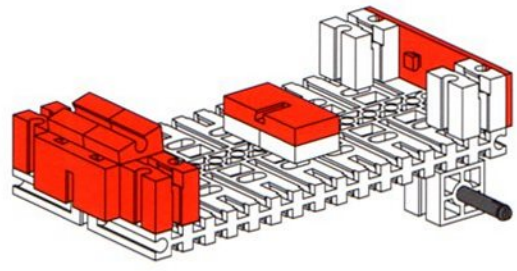
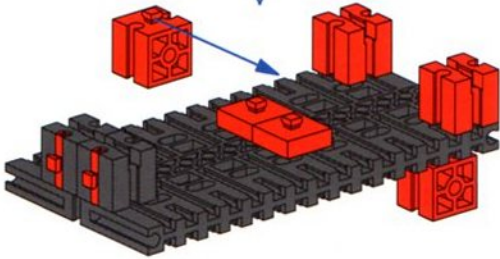
- Alle onderdelen, vooral de bewegende delen, kunnen, indien noodzakelijk, onderhouden en gereinigd worden.
- Es necesario limpiar y mantener en buen estado todas las diferentes piezas - especialmente las piezas móviles.
- Caso necessário, todas as peças individuais, especialmente peças móveis, tem que ser submetidas à manutenção e ser limpas.
- Let op  
U kunt zich bezeren aan bouwstenen met scherpe randen of punten!
- Attenzione  
Esiste il pericolo di lesione con i pezzi di costruzione che hanno bordi e punte spigolosi necessari per la funzionalità del pezzo!
- Atenção  
Perigo de ferimentos em peças componentes com cantos vivos e pontas obrigatórios para o funcionamento !

# Buggy



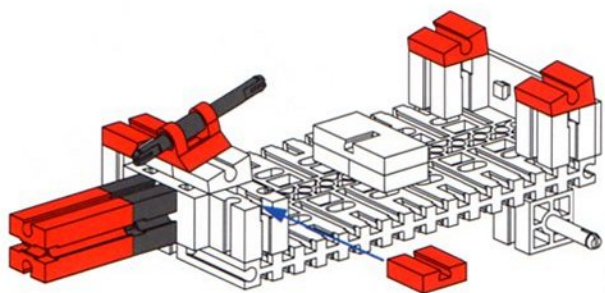
**1**

- 1 x 10-hole black Technic beam
- 2 x 2-hole black Technic pins
- 2 x 2-hole red Technic pins
- 2 x 1-hole red Technic pins
- 2 x 1-hole red Technic pins
- 2 x 1-hole red Technic pins



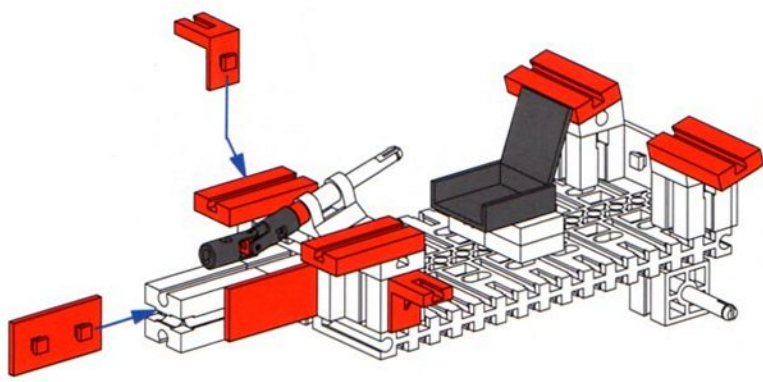
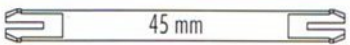
**2**

- 2 x 2-hole red Technic pins
- 2 x 2-hole red Technic pins
- 2 x 15° red Technic pins
- 1 x 1-hole red Technic pin
- 1 x 98 mm black Technic axle



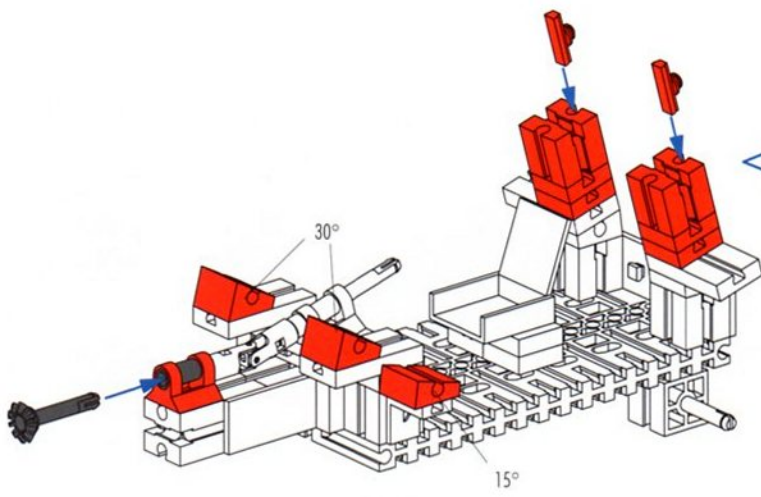
**3**

- 1 x 2-hole red Technic pin
- 1 x 2-hole black Technic pin
- 2 x 15° red Technic pins
- 1 x 45 mm black Technic axle
- 1 x 1-hole red Technic pin
- 2 x 1-hole red Technic pins



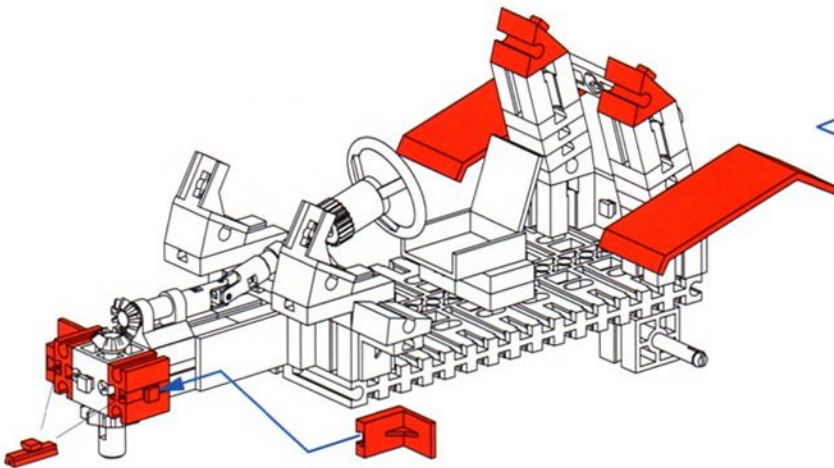
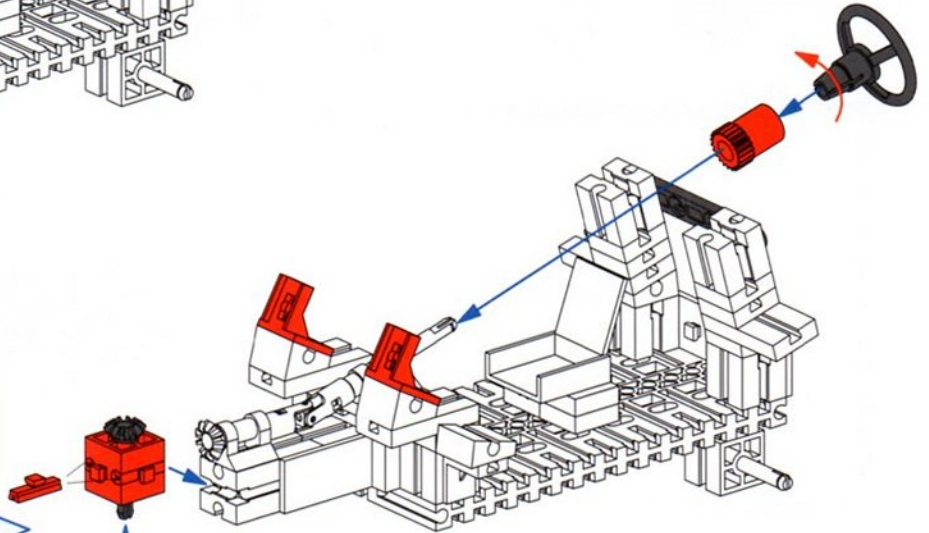
**4**

- 2 x 1-hole red Technic pins
- 4 x 1-hole red Technic pins
- 1 x 1-hole red Technic pin
- 1 x 1-hole red Technic pin
- 2 x 1-hole red Technic pins
- 1 x 1-hole red Technic pin
- 1 x black seat



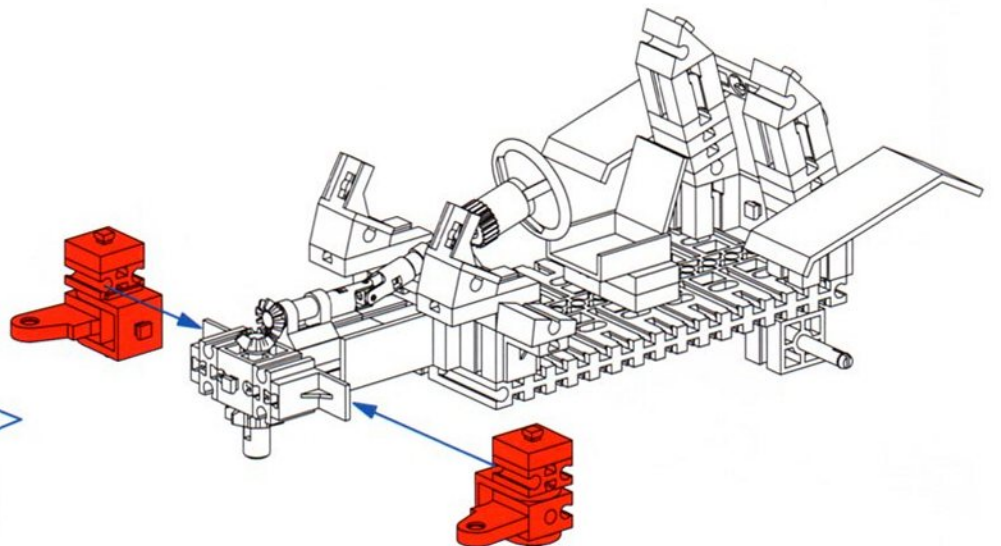
- 5**
- 2x [Red 2x3 Technic Brick]
  - 2x [Red 30° Technic Wedge]
  - 1x [Red 1x3 Technic Brick]
  - 1x [Black Axle]
  - 2x [Red 1x2 Technic Brick]
  - 4x [Red 1x2 Technic Brick]
  - 1x [Red 1x2 Technic Brick with Hole]
  - 1x [Black Axle]

- 6**
- 1x [Red 1x2 Technic Brick with Hole]
  - 1x [Black Steering Wheel]
  - 2x [Red 1x2 Technic Brick]
  - 1x [Black Technic Beam 45]
  - 1x [Red 1x2 Technic Brick]
  - 2x [Red 1x2 Technic Brick]
  - 1x [Black Axle]
  - 1x [Black Axle]

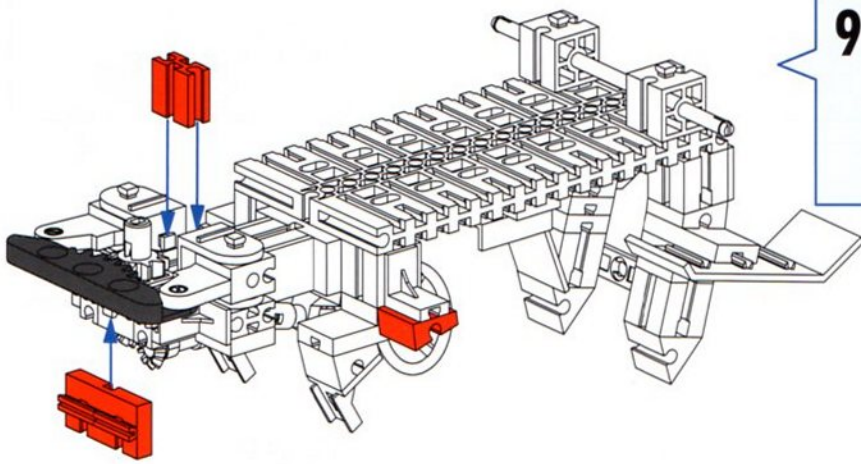


- 7**
- 2x [Red 1x10 Technic Plate]
  - 2x [Red 1x2 Technic Brick]
  - 2x [Red 1x2 Technic Brick]
  - 2x [Red 1x2 Technic Brick]
  - 2x [Red 60° Technic Wedge]

- 8**
- 2x [Red 1x3 Technic Brick]
  - 2x [Red 1x2 Technic Brick]
  - 2x [Red 1x2 Technic Brick]





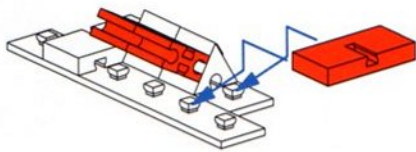
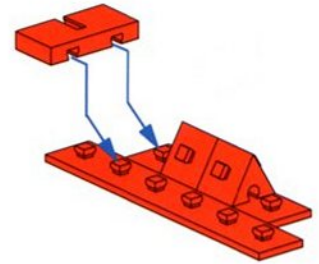


**9**

- 1x (Red 1x3 Technic Pin)
- 1x (Red 1x3 Technic Pin with 15° angle)
- 1x (Red 1x3 Technic Pin)
- 1x (Black 1x6 Technic Pin)
- 2x (Red 1x2 Technic Pin)

**10**

- 2x (Red 60° Technic Wedge)
- 1x (Red 1x3 Technic Pin)
- 1x (Red 1x6 Technic Pin)
- 1x (Red 1x12 Technic Pin)

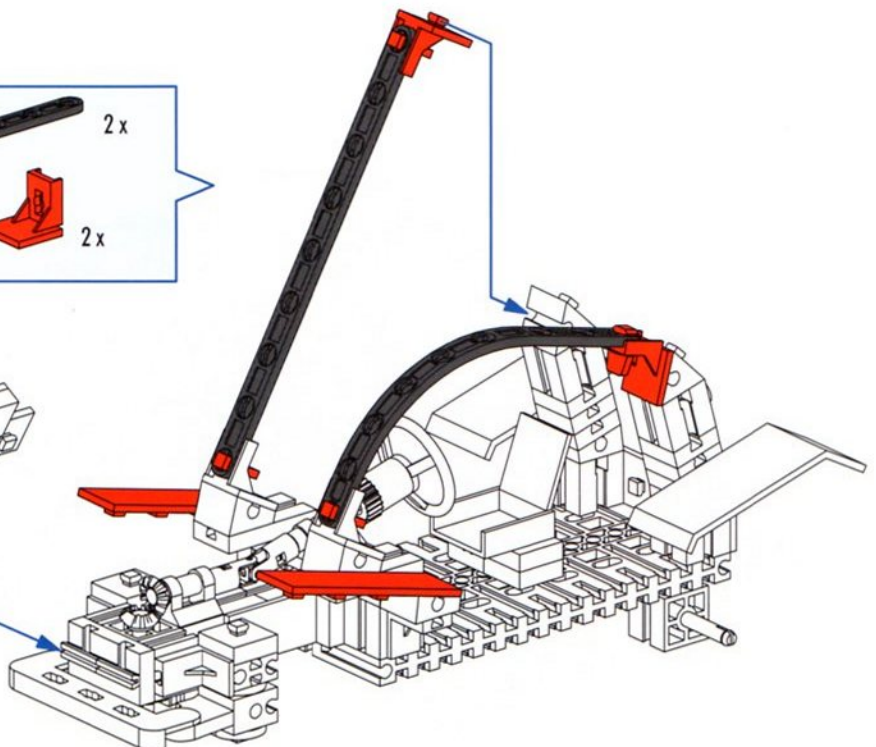
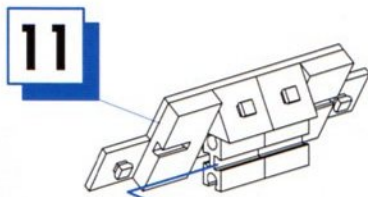


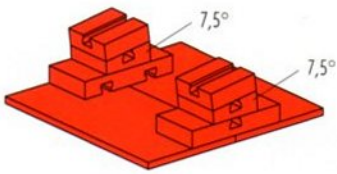
**11**

- 1x (Red 1x3 Technic Pin)
- 2x (Red 1x3 Technic Pin)

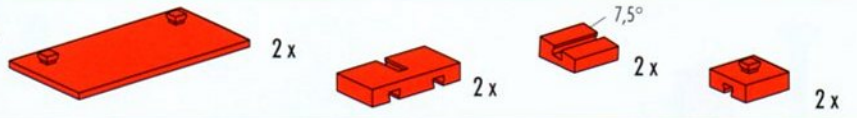
**12**

- 2x (Red 1x6 Technic Pin)
- 2x (Black 1x120 Technic Pin)
- 4x (Red 4-way Technic Connector)
- 2x (Red 1x2 Technic Pin)





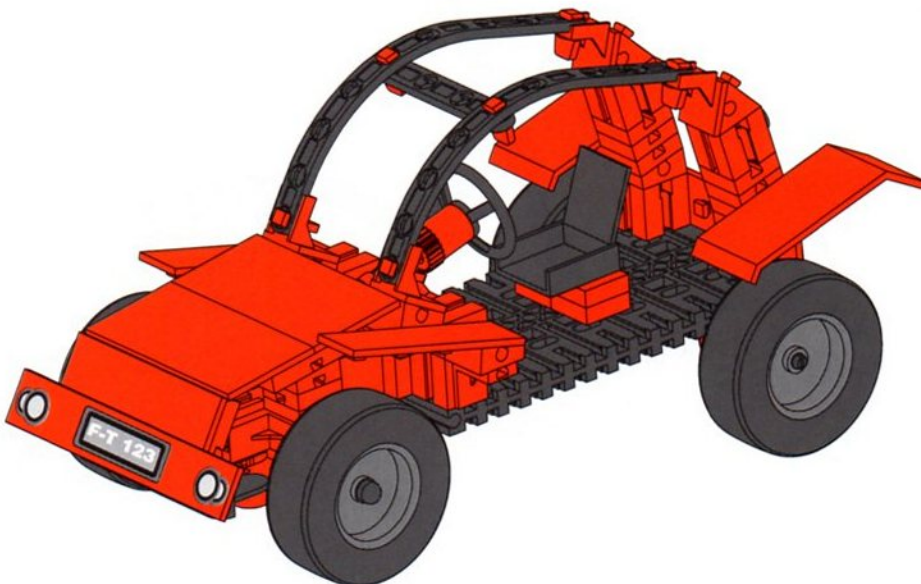
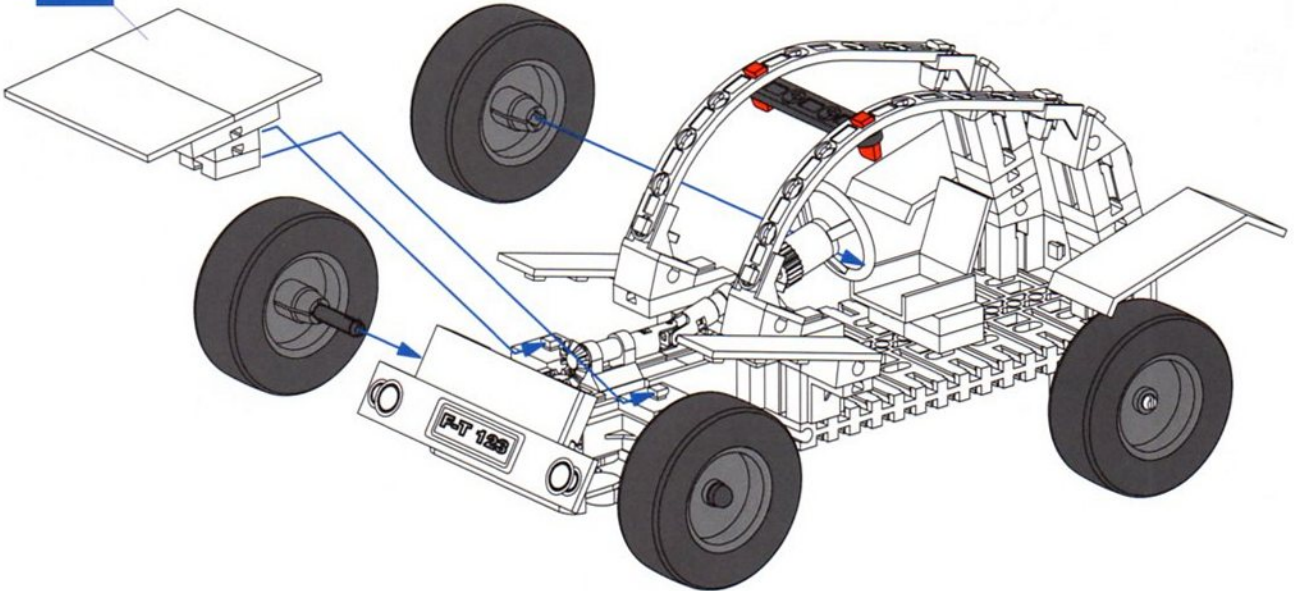
13



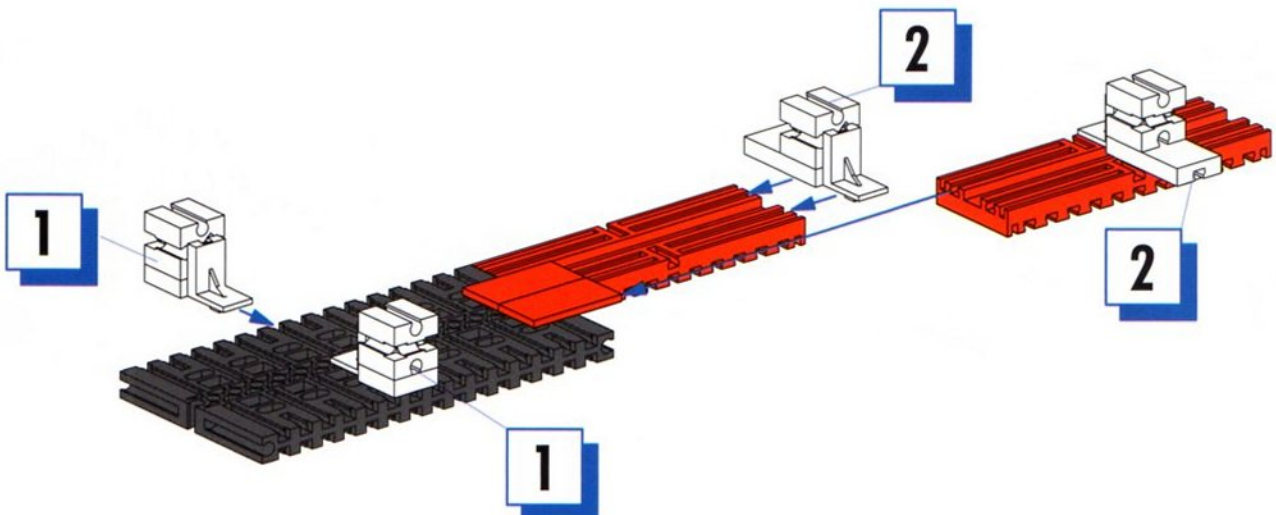
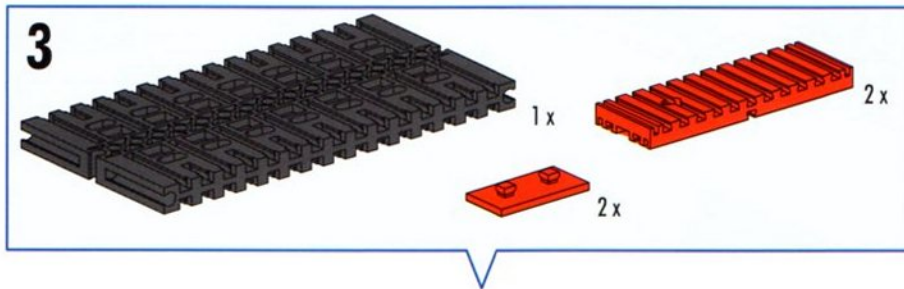
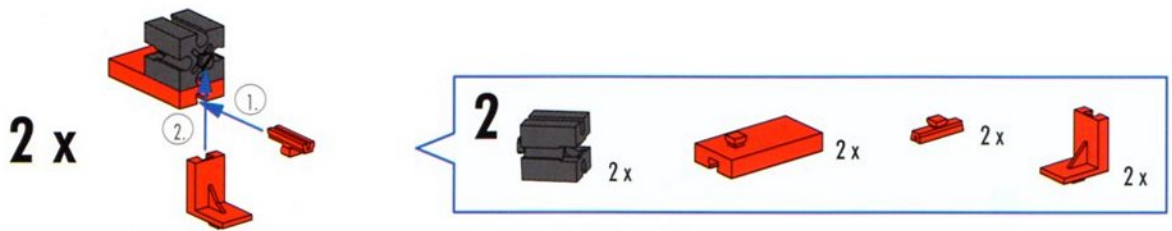
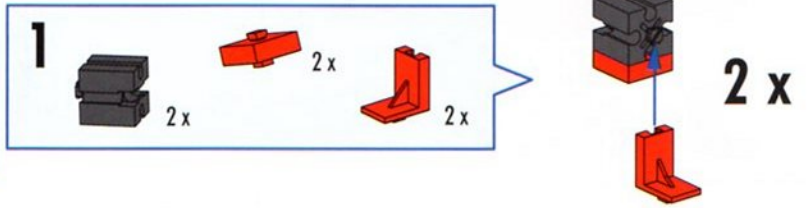
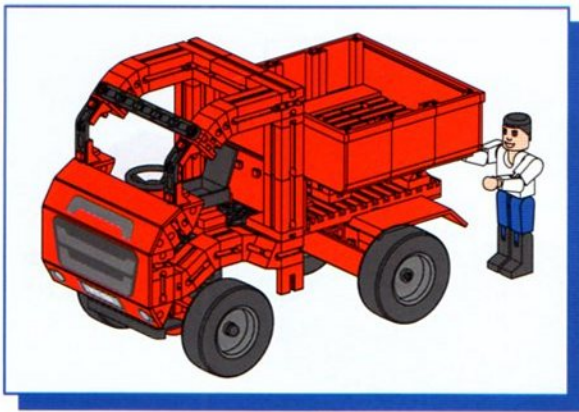
14

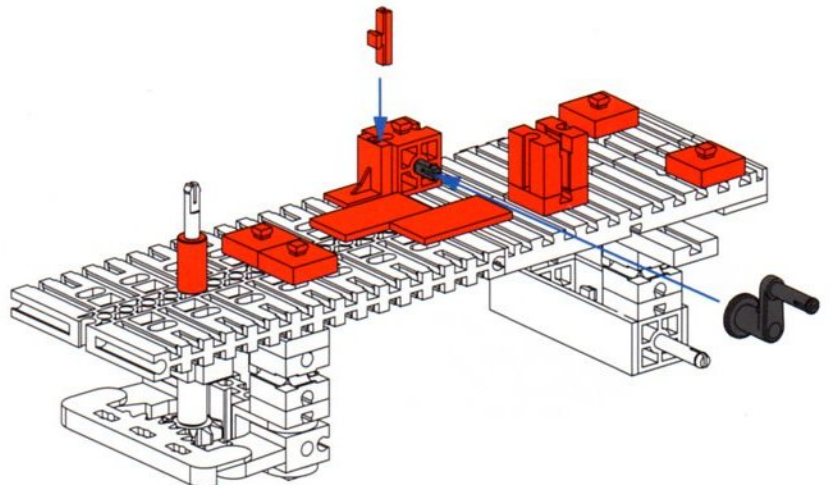
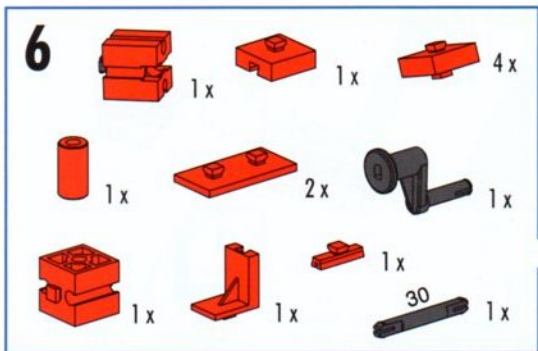
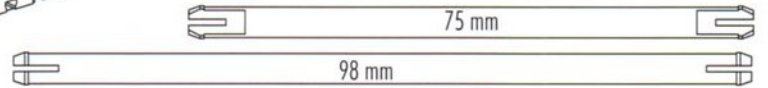
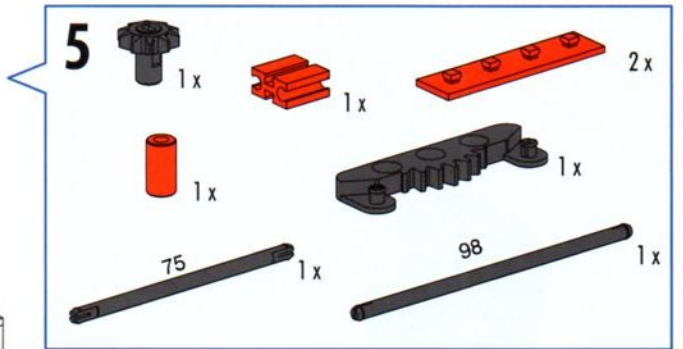
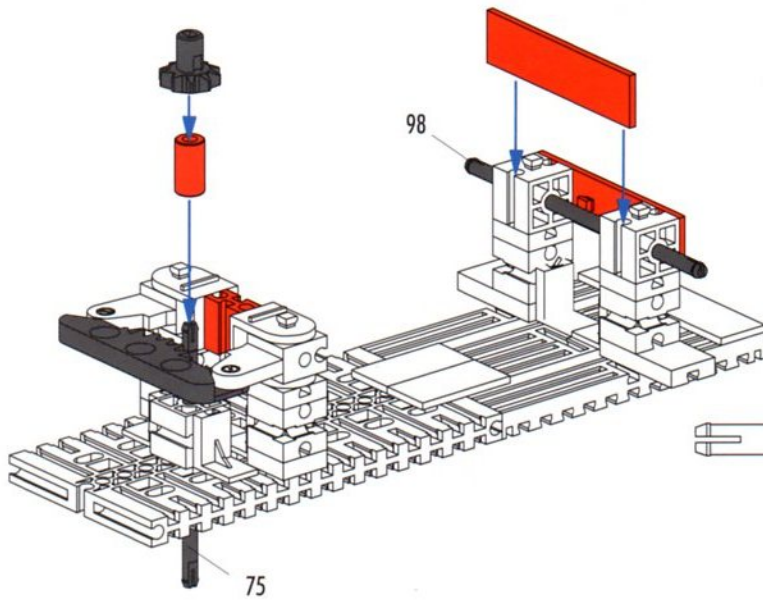
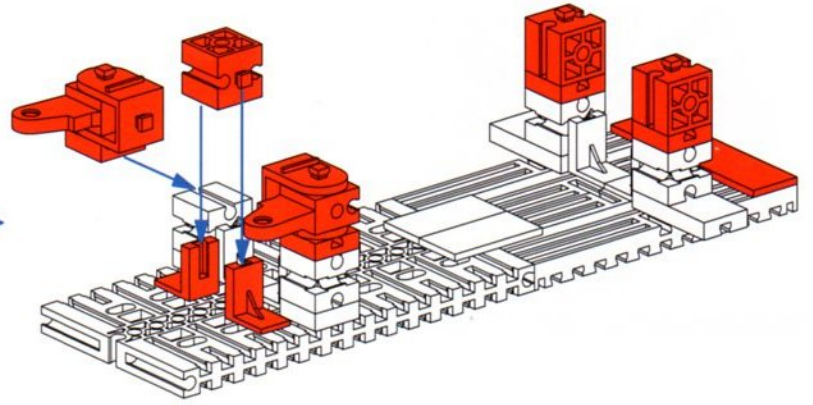
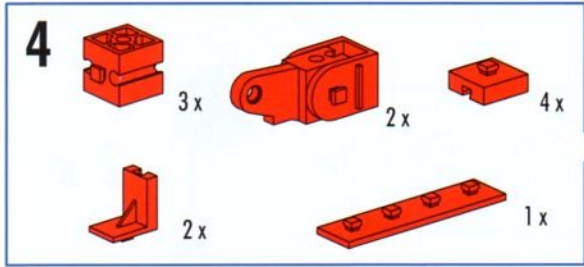


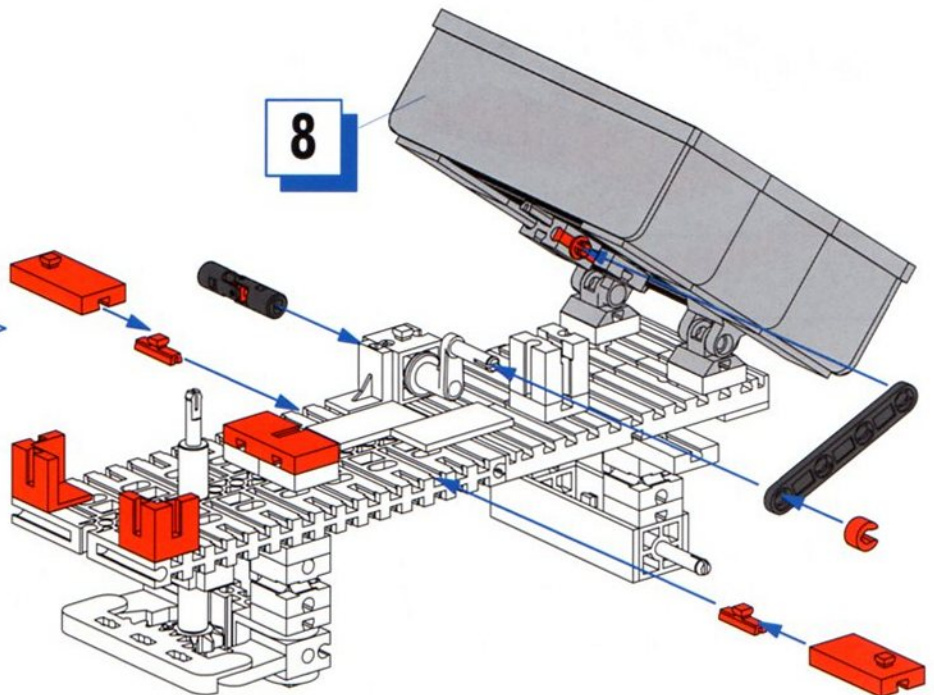
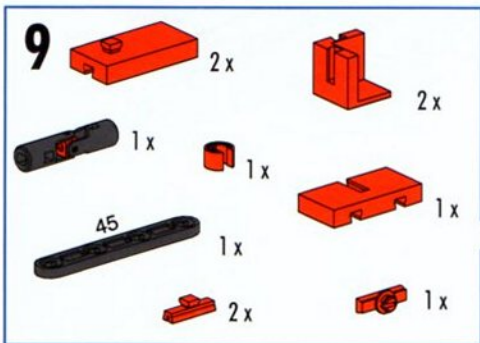
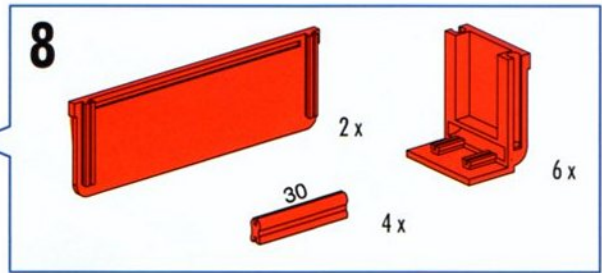
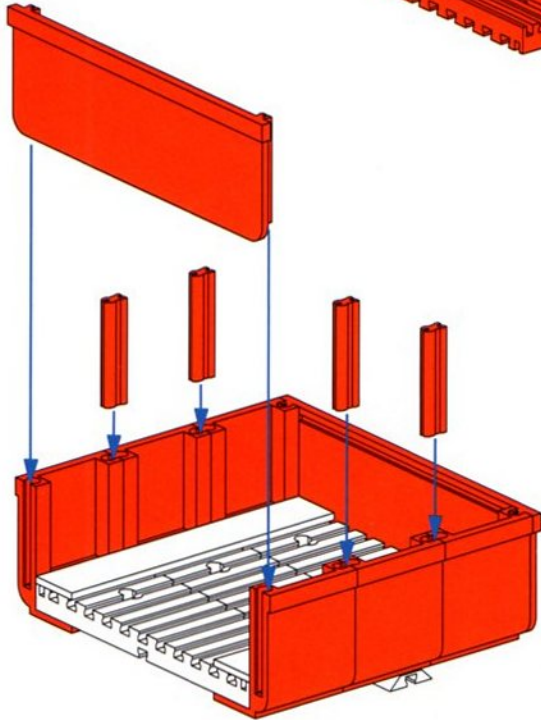
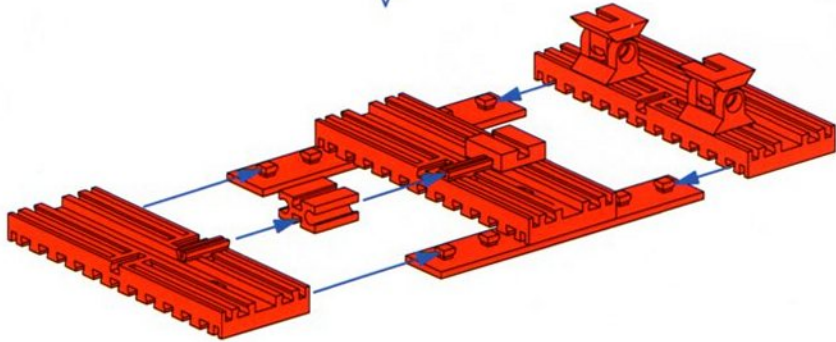
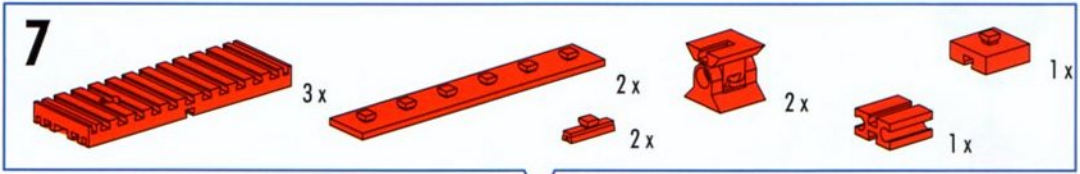
13

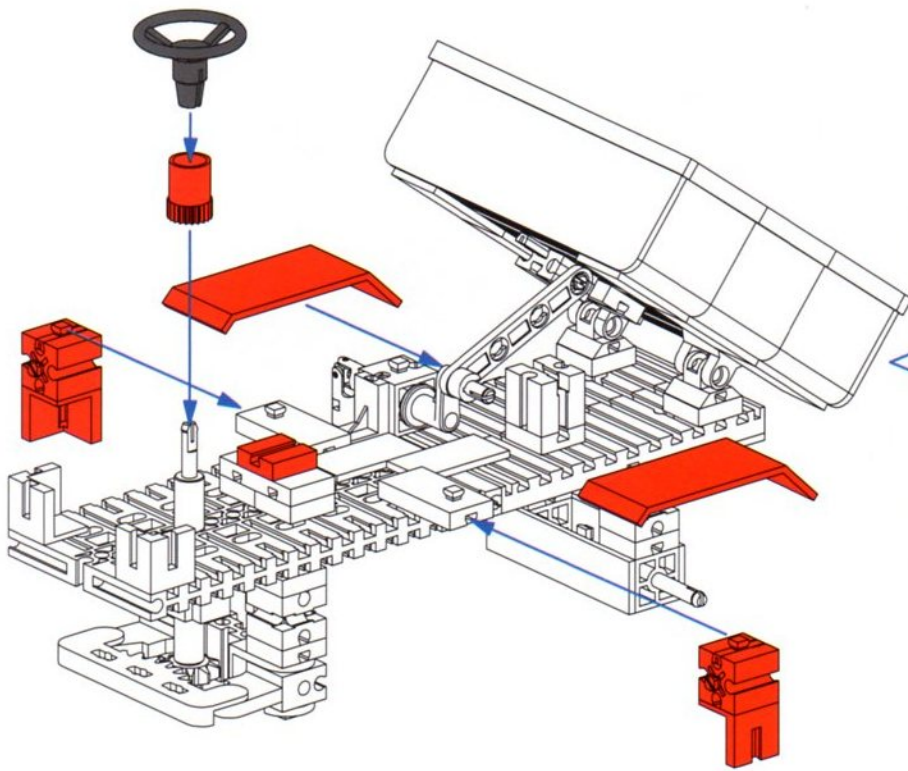


# Unitrac







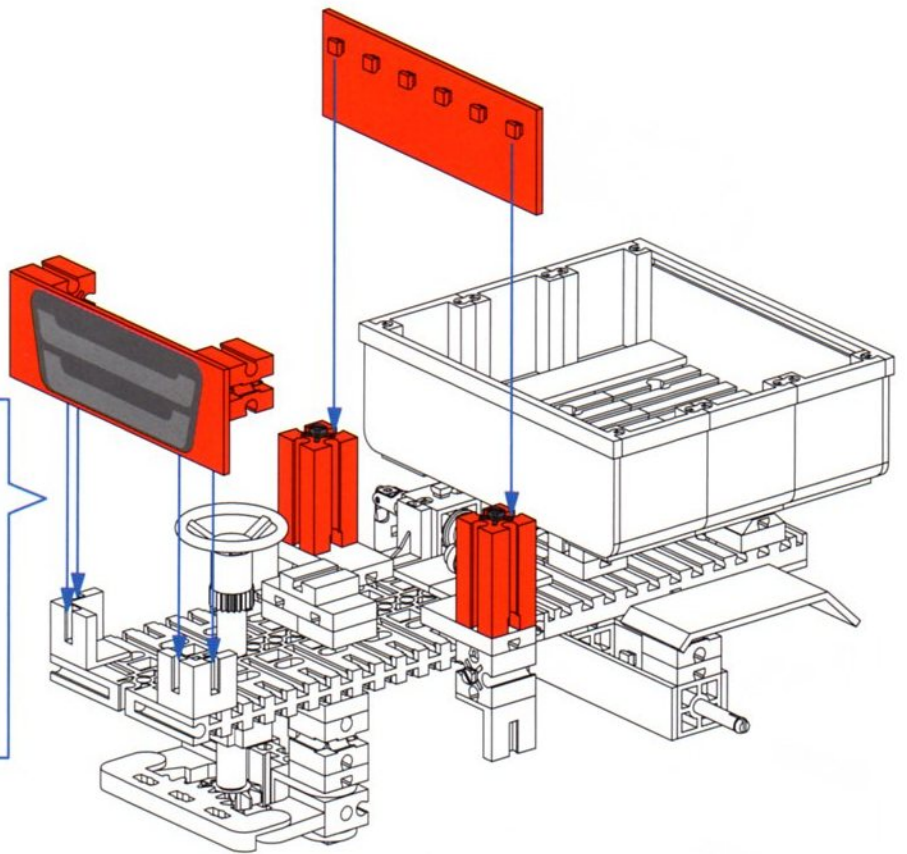


**10**

- Red Technic Plate 1 x 4 with 2 holes: 2 x
- Black Technic Handle: 1 x
- Red Technic Connector 2 x 2: 2 x
- Red Technic L-Shape: 2 x
- Red Technic Pin: 1 x
- Red Technic Pin: 2 x
- Red Technic Pin: 1 x

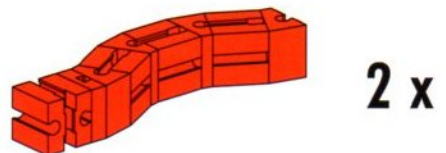
**11**

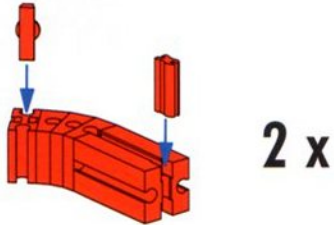
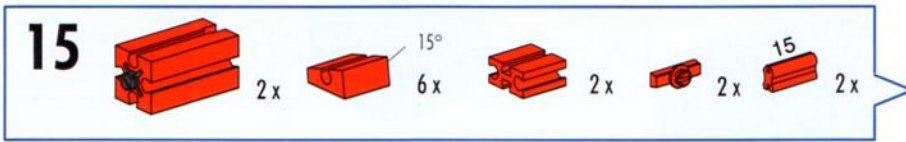
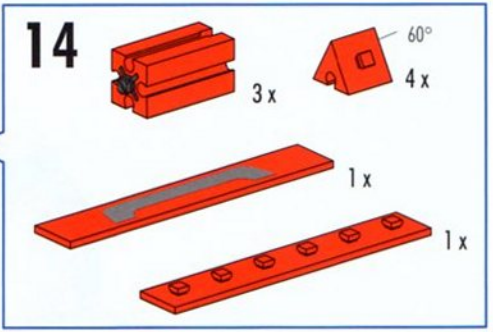
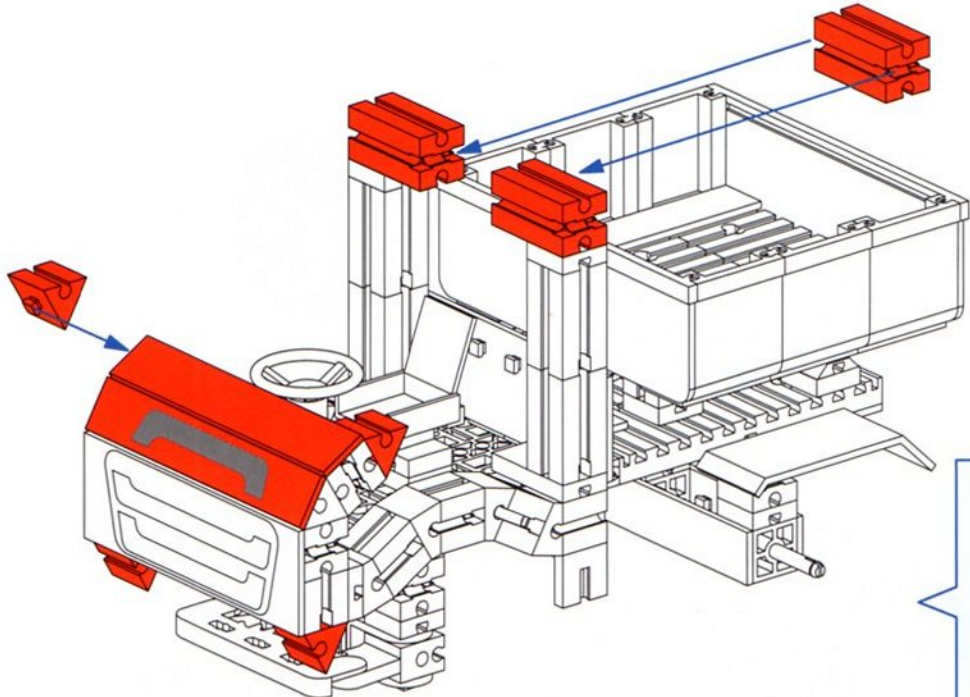
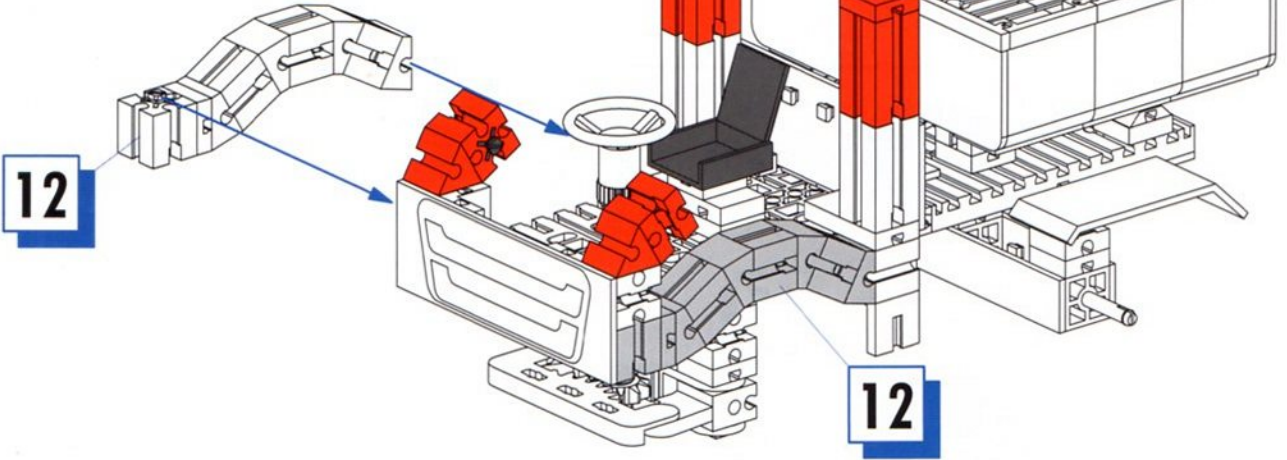
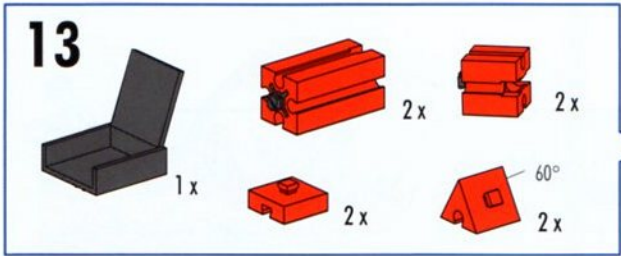
- Red Technic Connector 2 x 2: 2 x
- Red Technic Connector 2 x 2: 2 x
- Red Technic Plate 1 x 10 with 4 holes: 1 x
- Red Technic Plate 1 x 10 with 4 holes: 1 x

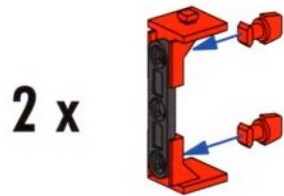


**12**

- Red Technic Connector 2 x 2: 8 x
- Red Technic Connector 2 x 2: 2 x
- Red Technic Connector 2 x 2 at 30°: 8 x







16



2 x



4 x



4 x

17



4 x



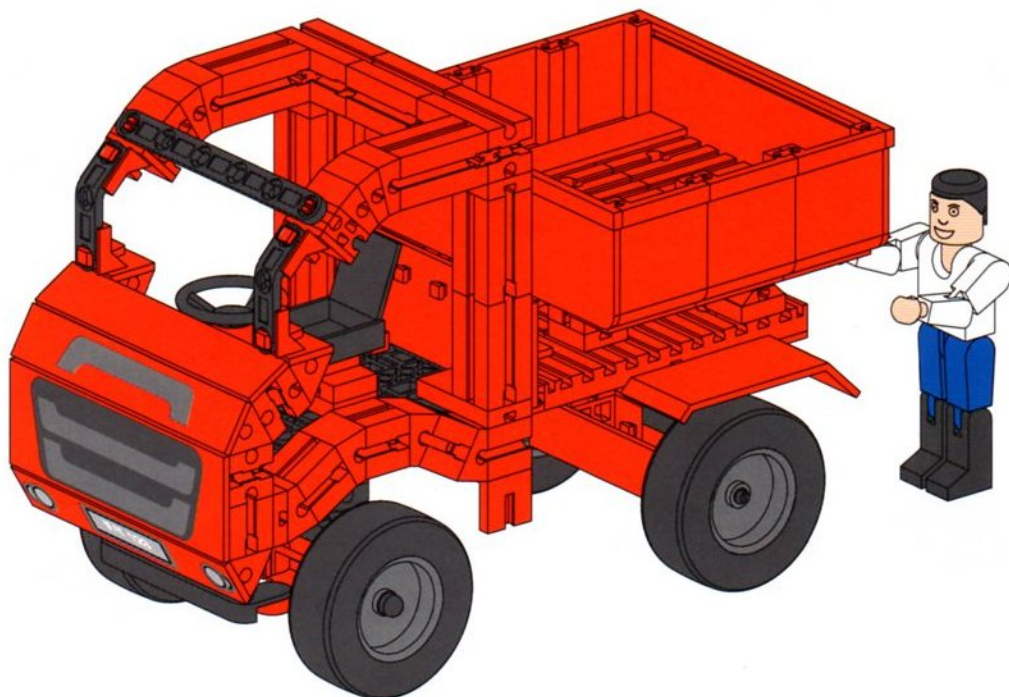
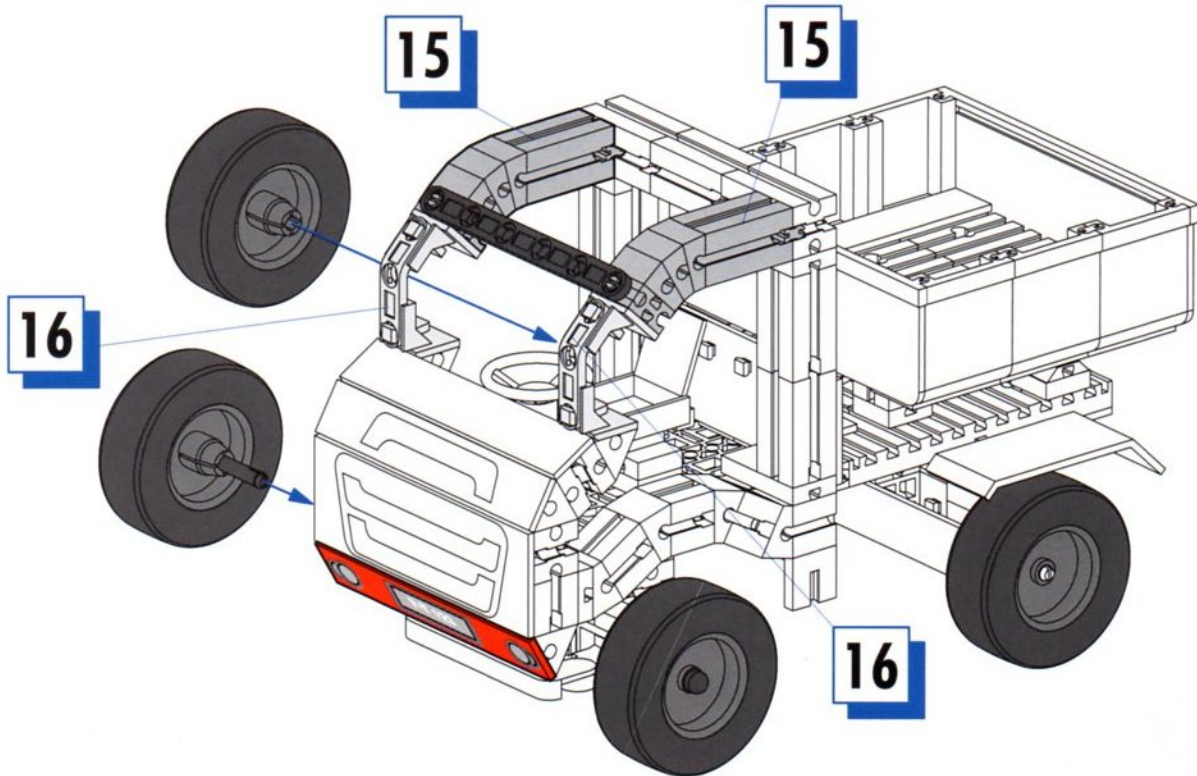
2 x



1 x



1 x



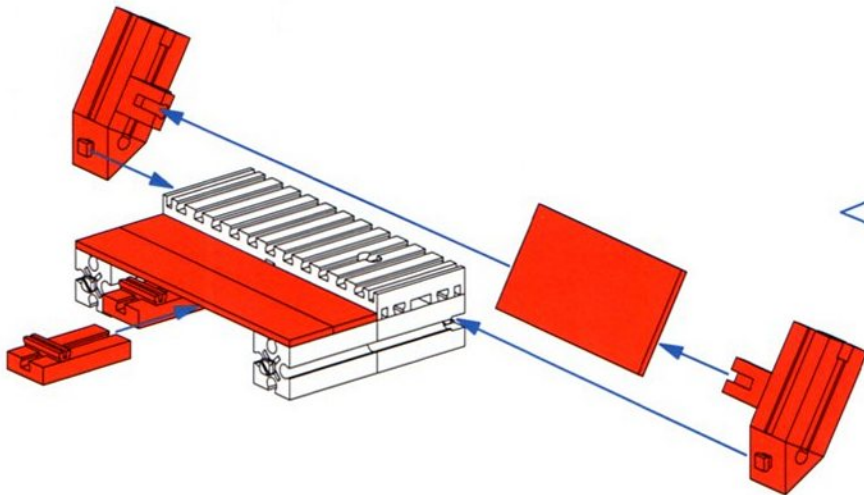
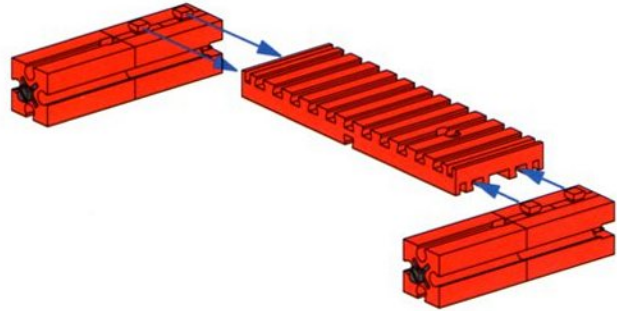


# Roadster



**1**

- 1 x [Red Technic Beam 1x11 with 11 holes]
- 4 x [Red Technic Axle Pin with Friction Ridge]
- 4 x [Red Technic Pin with Friction Ridge]

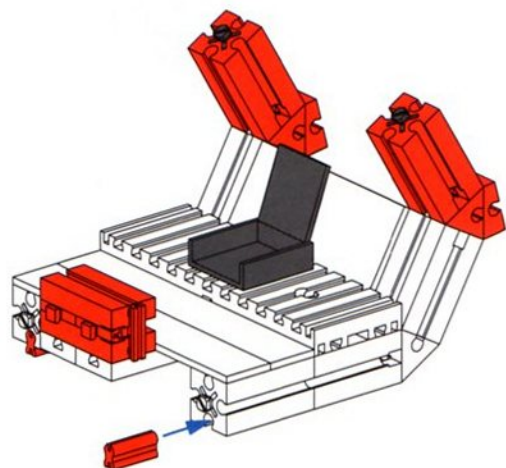


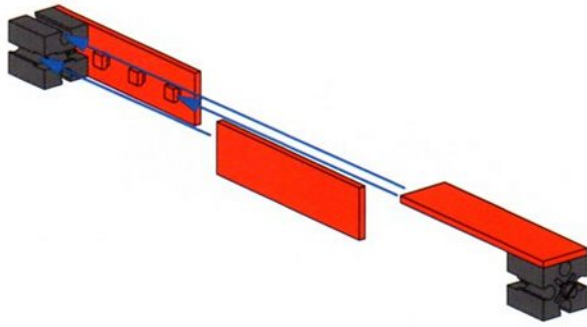
**2**



- 2 x [Red Technic Axle Pin with Friction Ridge]
- 2 x [Red Technic Pin with Friction Ridge]
- 2 x [Red Technic Pin with Friction Ridge]
- 2 x [Red Technic Pin with Friction Ridge]
- 1 x [Red Technic Plate 1x6]
- 2 x [Red Technic Pin with Friction Ridge]
- 2 x [Red Technic Pin with Friction Ridge]
- 2 x [Red Technic Pin with Friction Ridge]

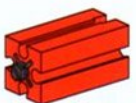



**3**

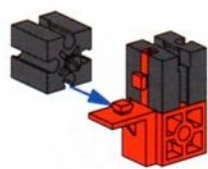
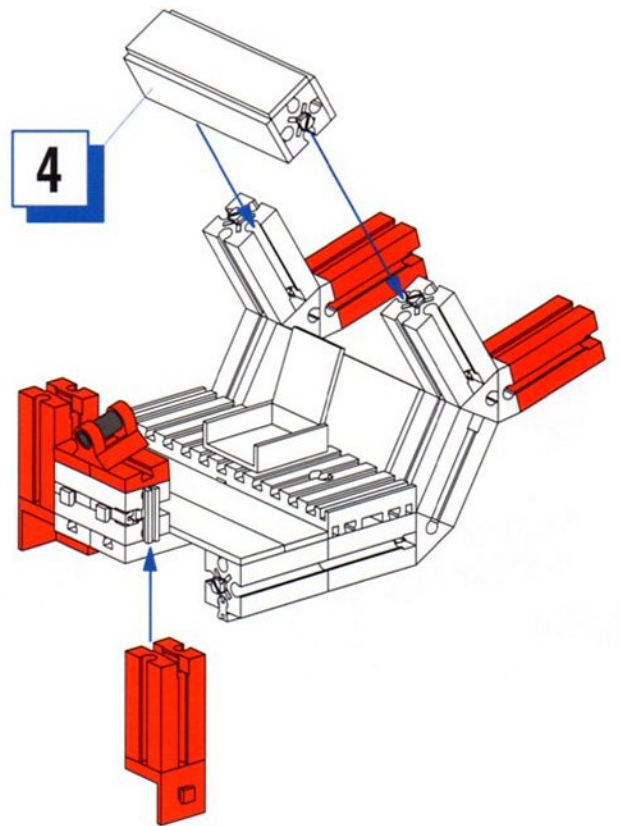
- 3 x [Red Technic Axle Pin with Friction Ridge]
- 1 x [Black Technic Axle Pin with Friction Ridge]
- 2 x [Red Technic Pin with Friction Ridge]
- 2 x [Red Technic Pin with Friction Ridge]
- 2 x [Red Technic Pin with Friction Ridge]
- 3 x [Red Technic Pin with Friction Ridge]













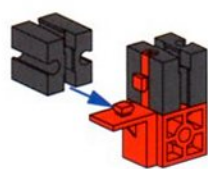
**4**  2x  3x

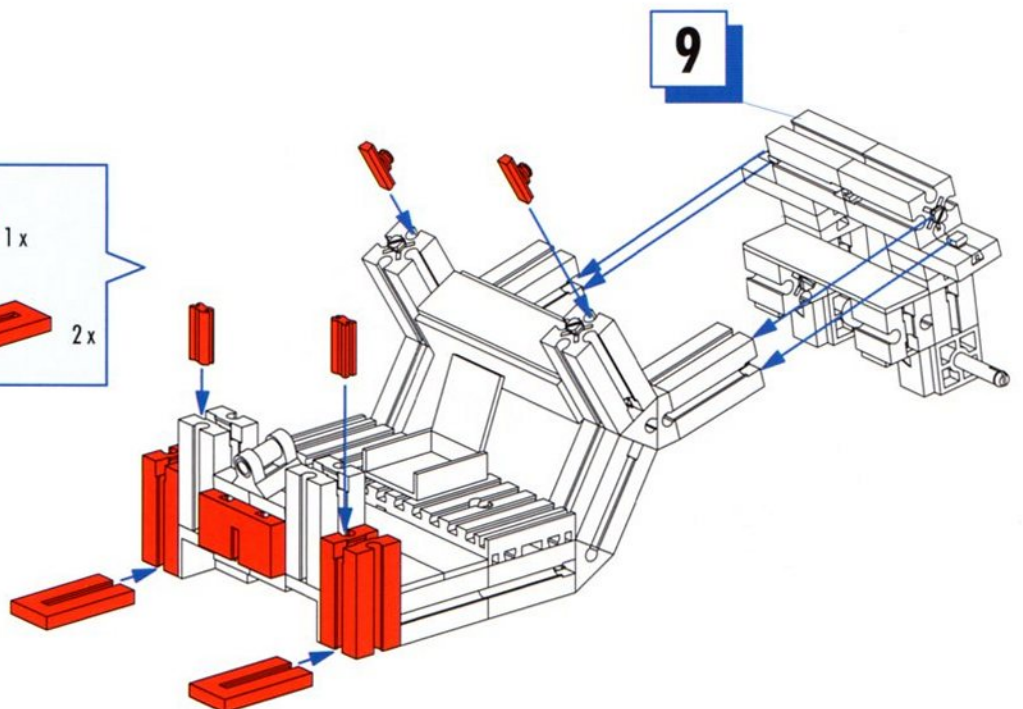
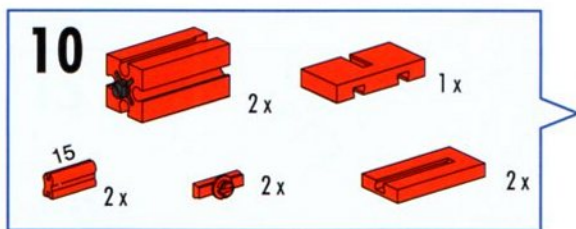
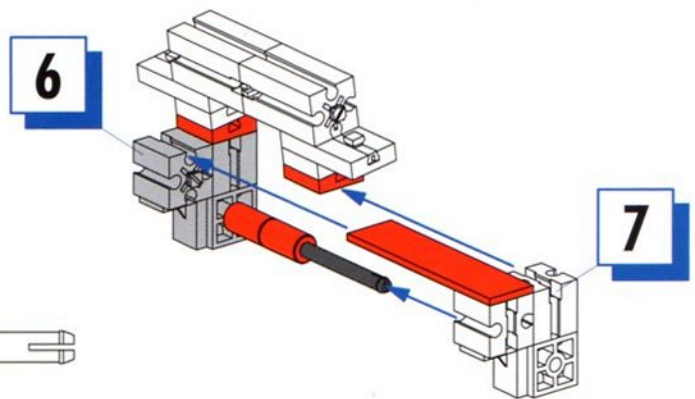
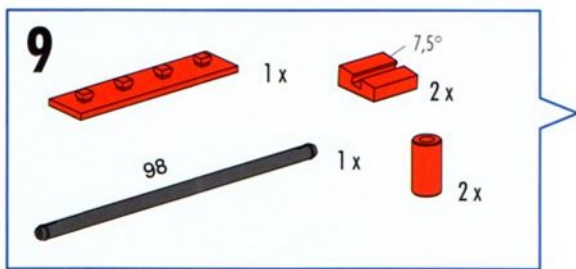
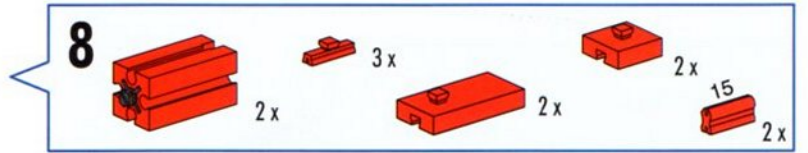
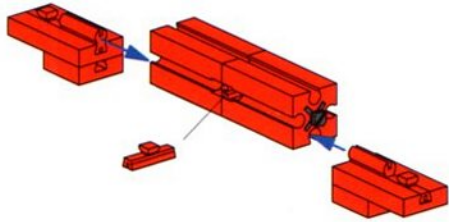
**5**  4x  2x  7,5° 2x  1x

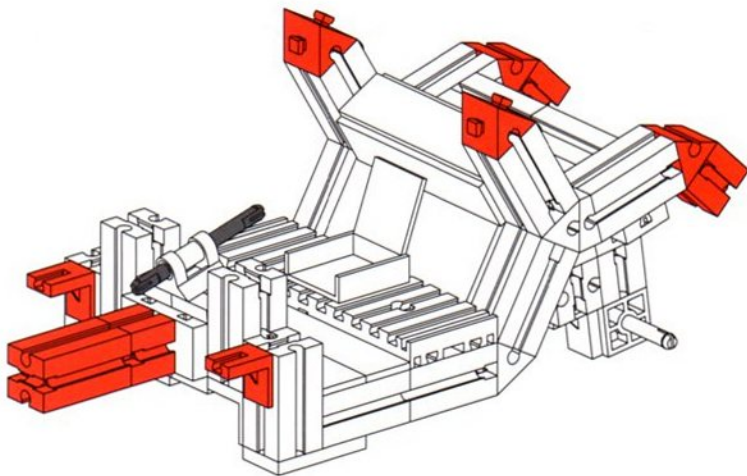


**6**  2x  1x  1x  1x

**7**  2x  1x  1x  1x







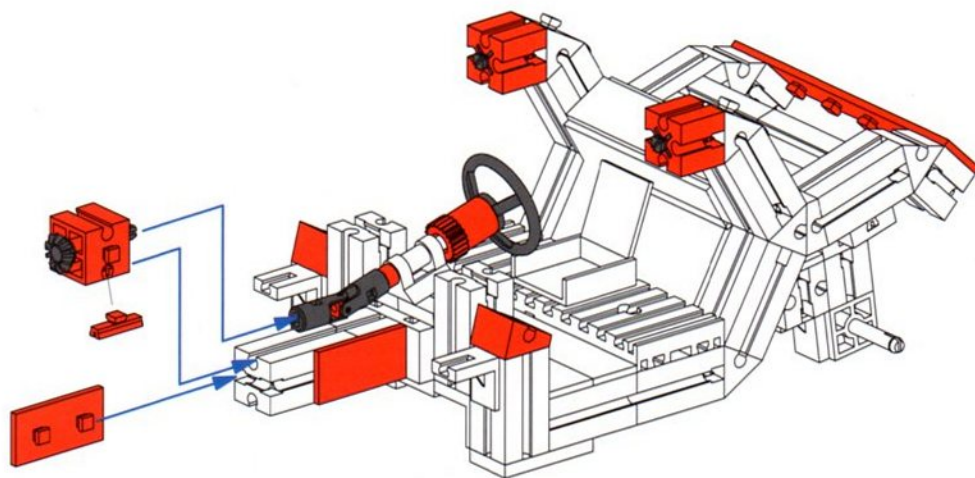
**11**

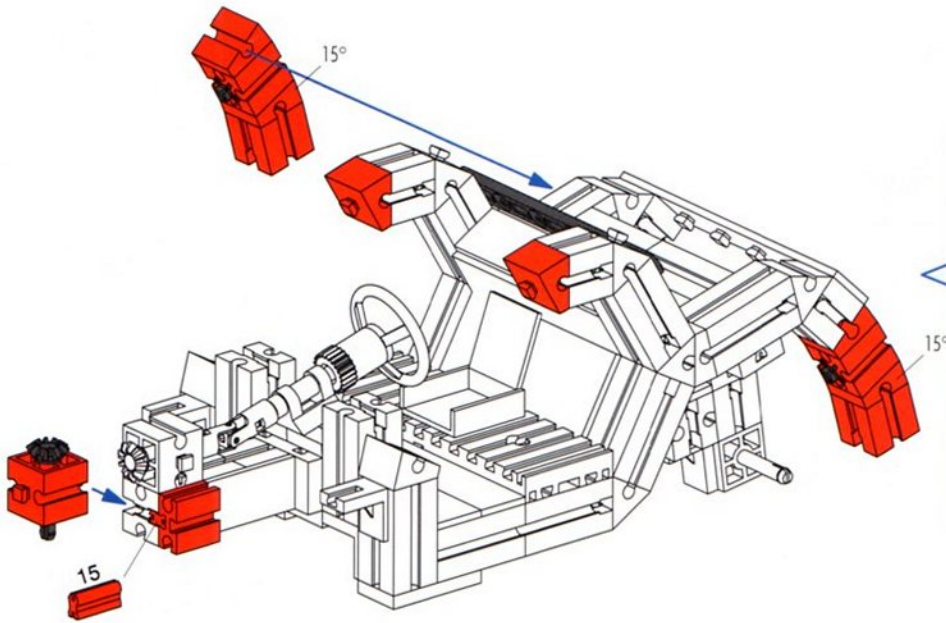
- 1x Red Technic 1x3 Beam with Pin
- 3x Red Technic 1x2 Beam
- 2x Red Technic 1x2 L-Shape
- 4x Red Technic 60° Wedge
- 1x Black Technic Pin 45

45 mm

**12**

- 2x Red Technic 1x2 Beam
- 1x Black Technic Pin 45
- 1x Black Technic Steering Wheel
- 1x Black Technic Pin with Friction Ridge
- 2x Red Technic 1x2 Beam
- 1x Red Technic 1x2 L-Shape
- 2x Red Technic 30° Wedge
- 1x Red Technic 1x2 Beam with Pin
- 1x Red Technic Pin with Friction Ridge
- 1x Red Technic 1x4 Beam
- 1x Red Technic Pin with Friction Ridge



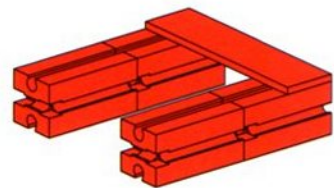


**13**

- 4 x [Red 2x3 Technic Brick]
- 4 x [Red 1x3 Technic Brick]
- 1 x [Black Technic Beam 75]
- 1 x [Red 1x3 Technic Brick]
- 2 x [Red 30-degree Technic Bracket]
- 1 x [Red 1x3 Technic Brick]
- 1 x [Red 2x3 Technic Brick]
- 1 x [Red 2x3 Technic Brick]
- 1 x [Black Technic Pin]

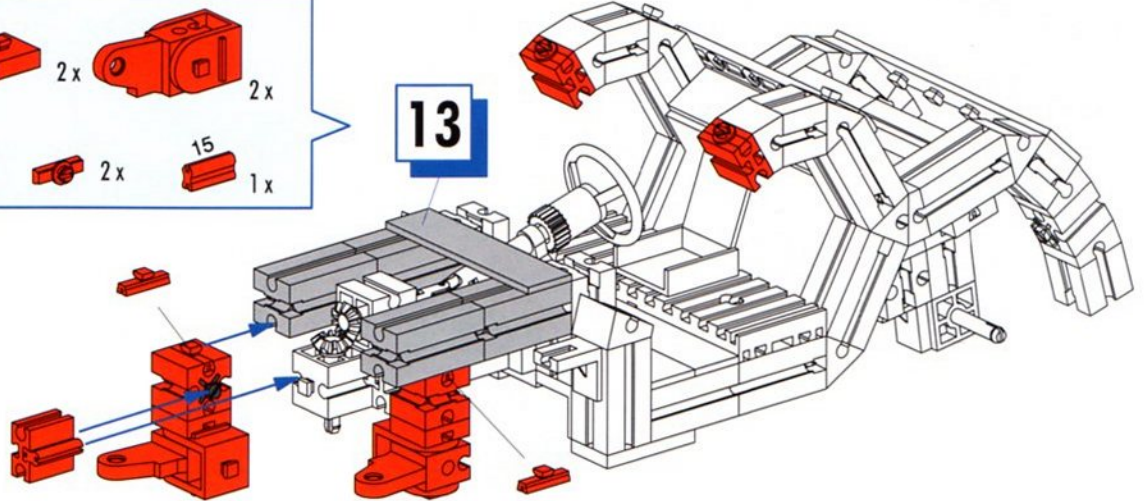
**14**

- 4 x [Red 2x3 Technic Brick]
- 1 x [Red 1x5 Technic Brick]

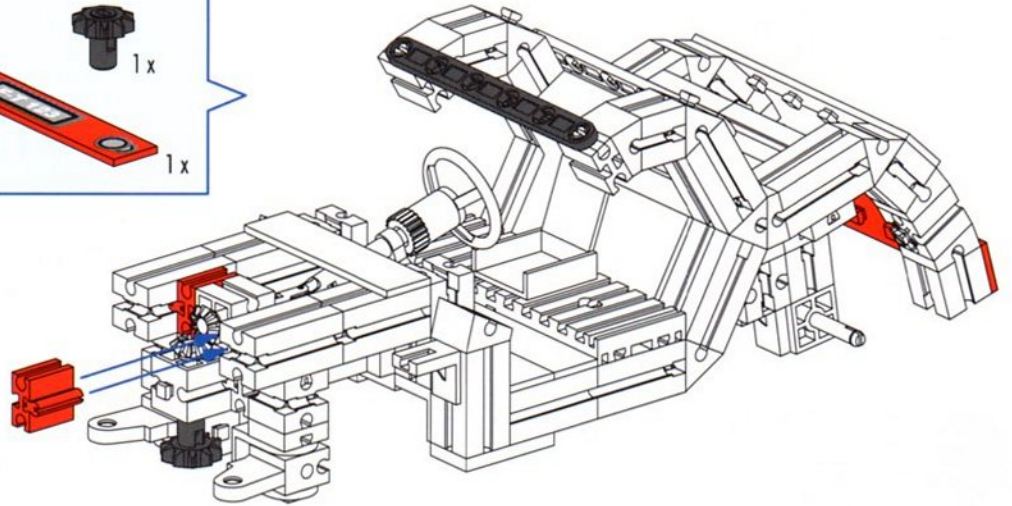
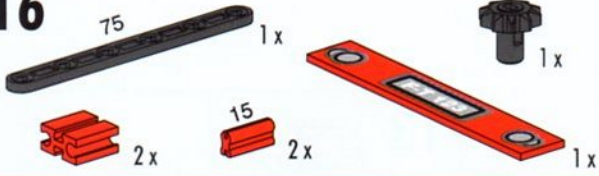


**15**

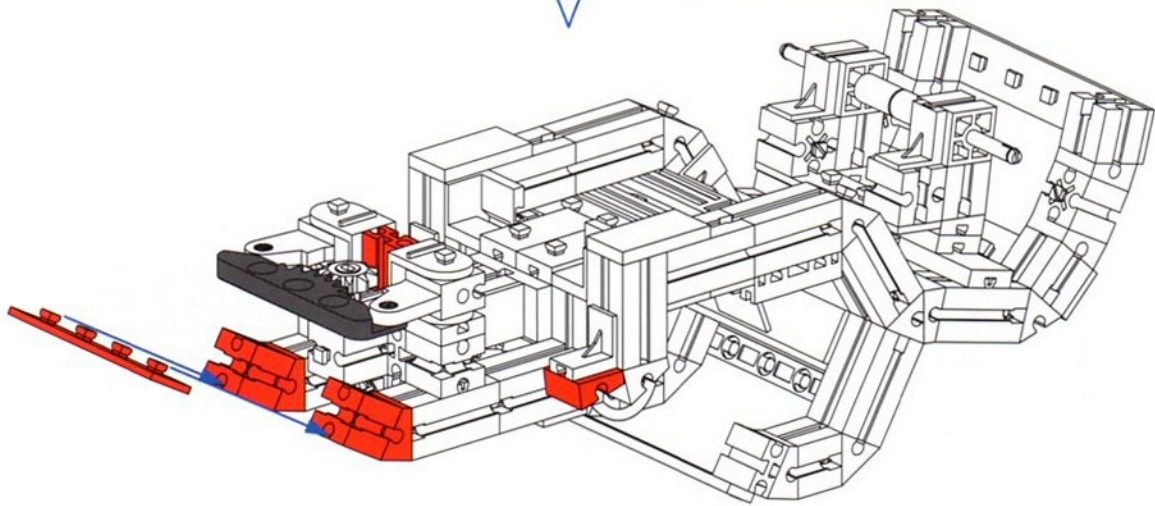
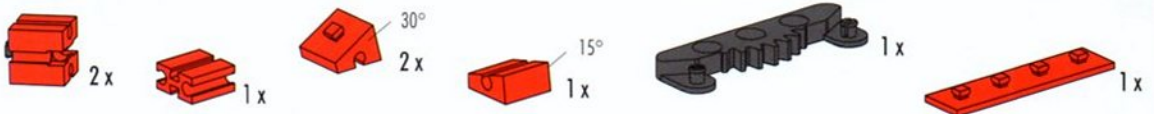
- 2 x [Red 2x3 Technic Brick]
- 2 x [Red 2x3 Technic Brick]
- 2 x [Red 2x3 Technic Brick]
- 3 x [Red 2x3 Technic Brick]
- 2 x [Red 1x3 Technic Brick]
- 2 x [Red 1x3 Technic Brick]
- 1 x [Red 1x3 Technic Brick]



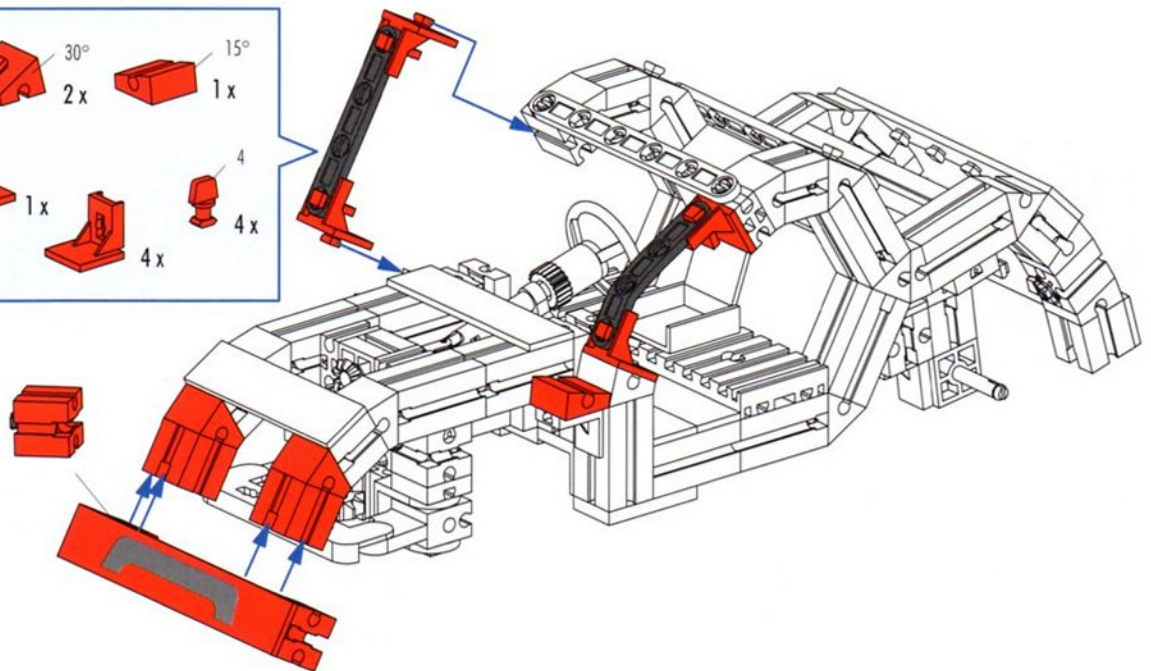
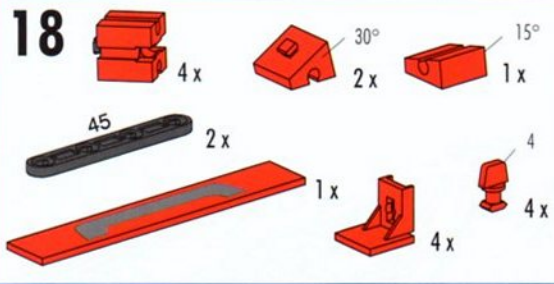
16



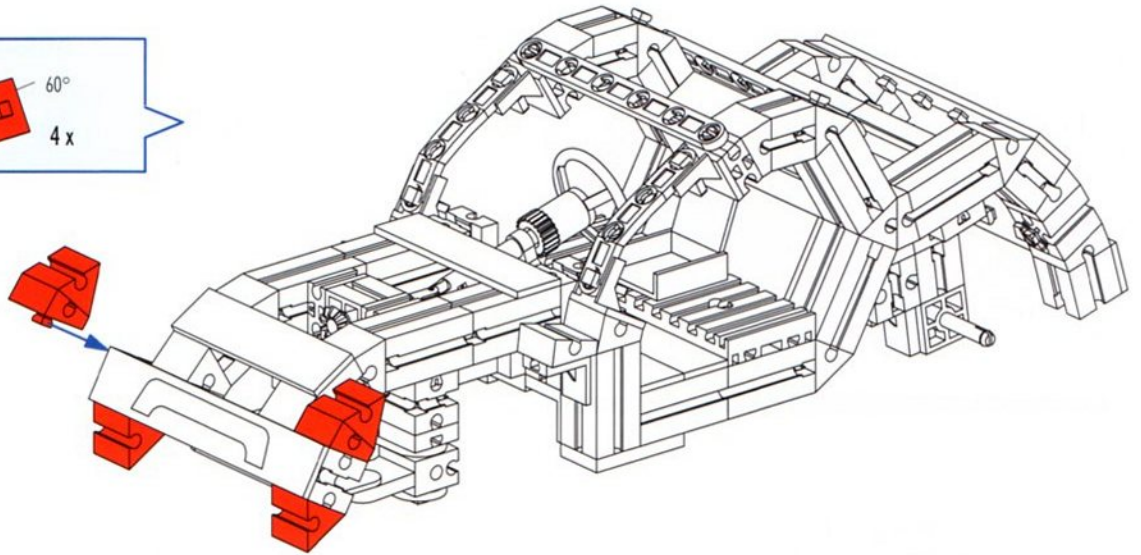
17



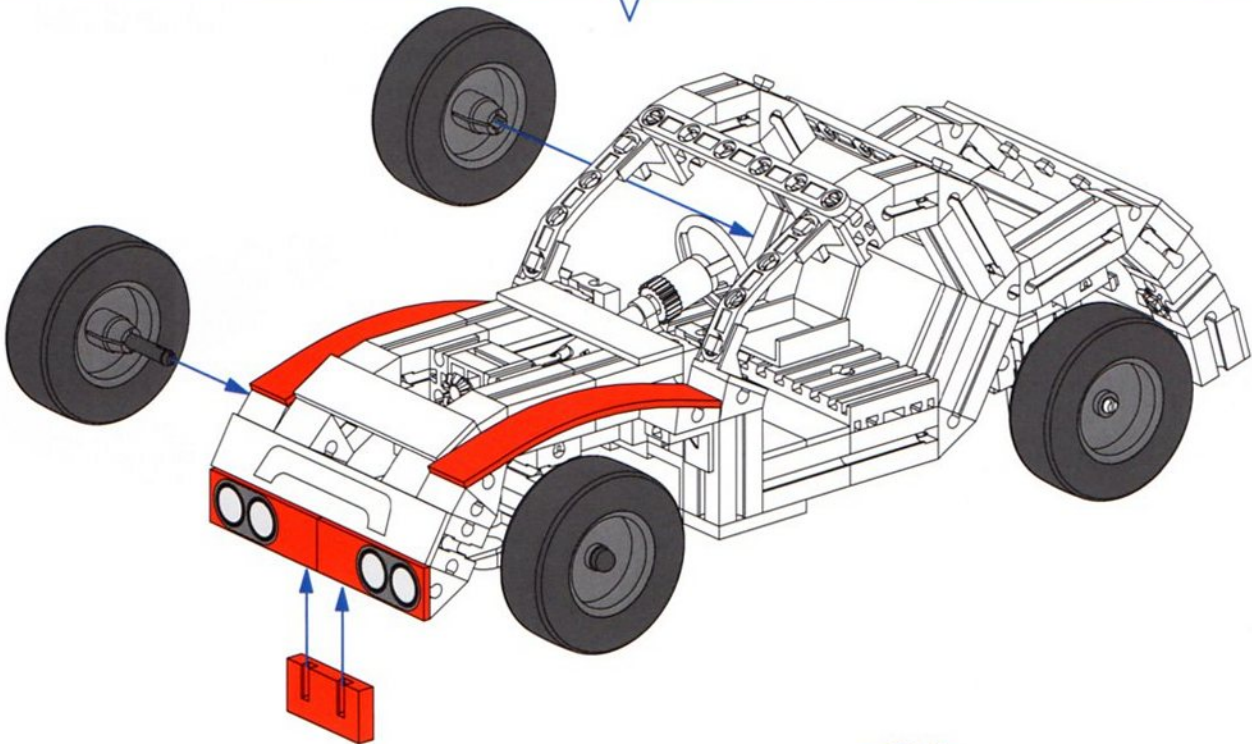
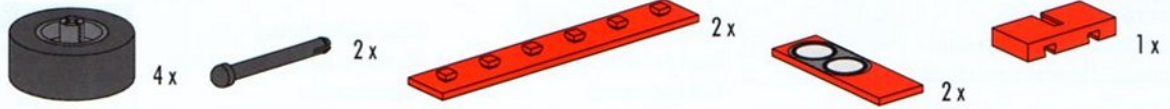
18



19



20





Roadster mit Motorisierung  
Roadster with motorization  
Roadster avec motorisation

Roadster met motorisering  
Roadster con motorización  
Roadster com motorização

zusätzlich erforderlich  
additionally required  
à commander en supplément  
extra noodzakelijk  
adicionalmente necesario  
adicionalmente necessário

Radantrieb  
Wheel drive  
Entraînement de roue

Wiel aandrijving  
Accionamiento por ruedas  
Tração às rodas



Lenkung  
Control  
Guidage

Stuurinrichting  
Dirección  
Direcção



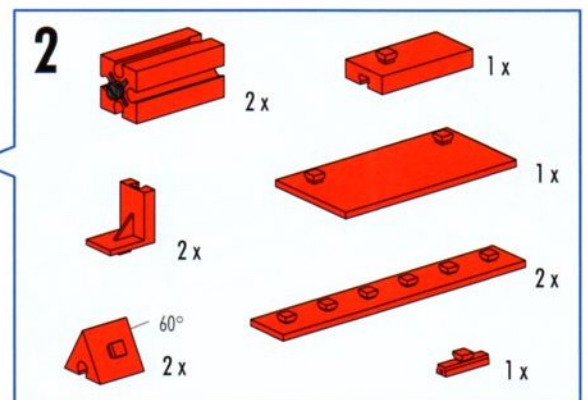
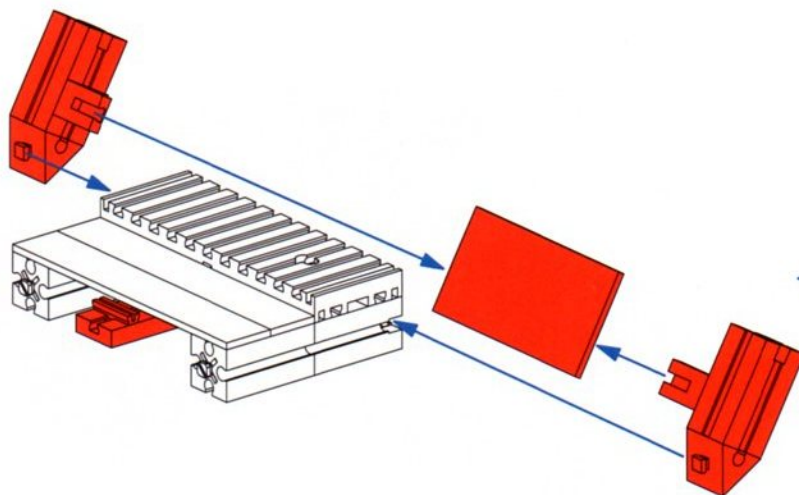
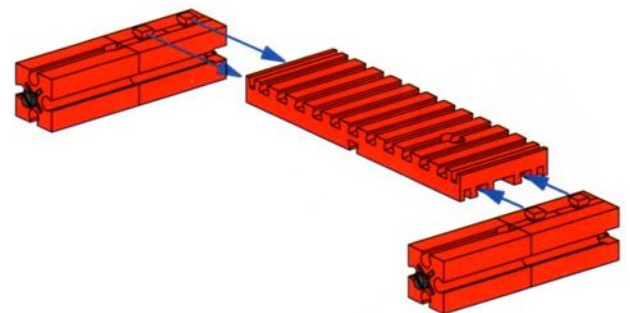
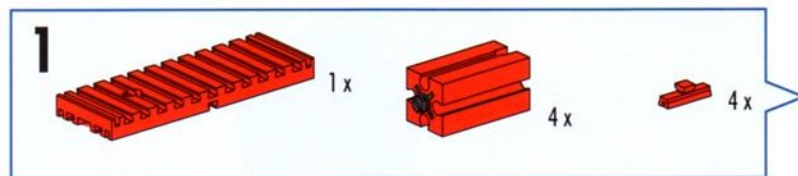
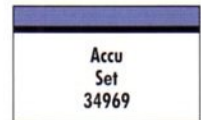
Fernsteuerung  
Remote control  
Télécommande

Afstandsbesturing  
Mando a distancia  
Telecomando

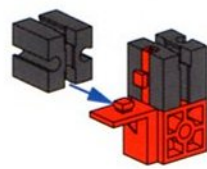
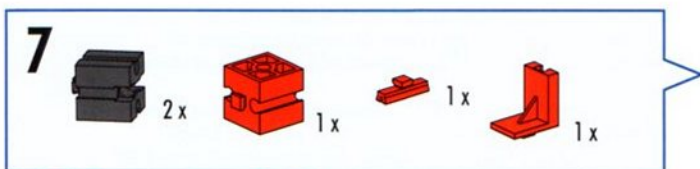
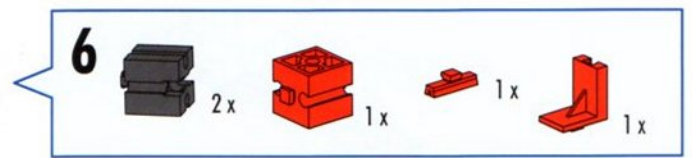
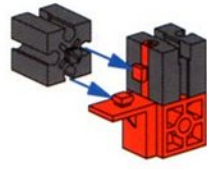
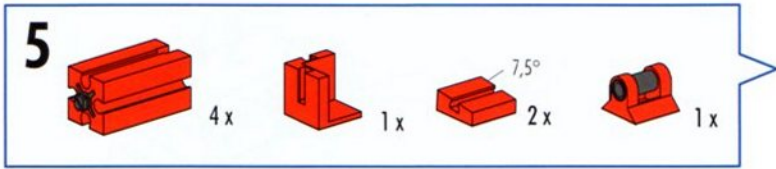
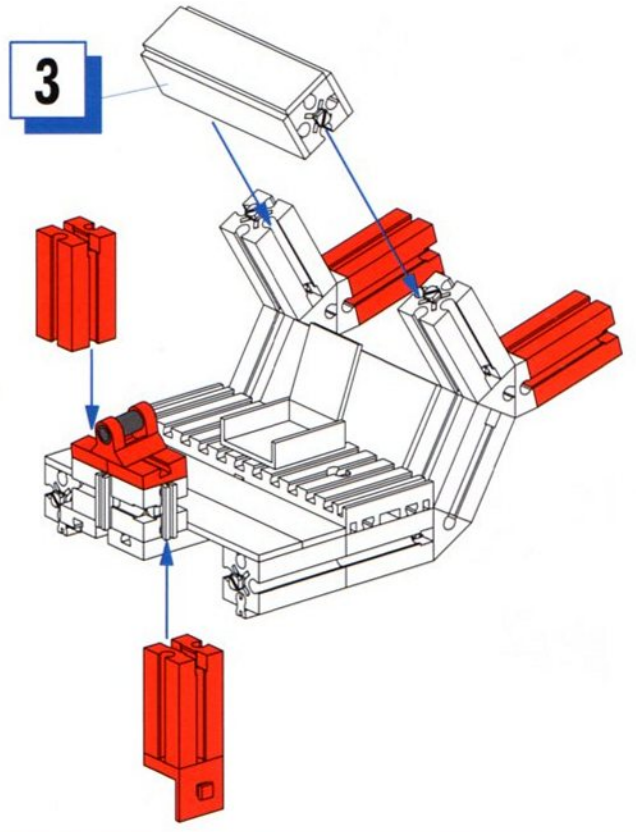
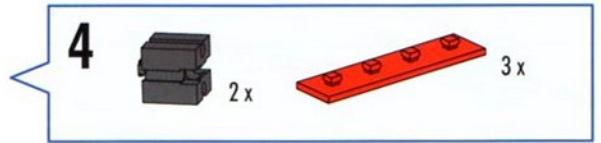
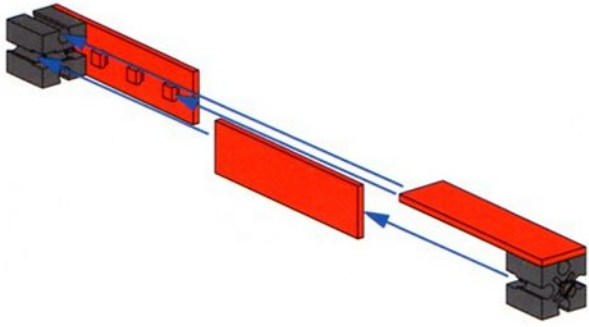
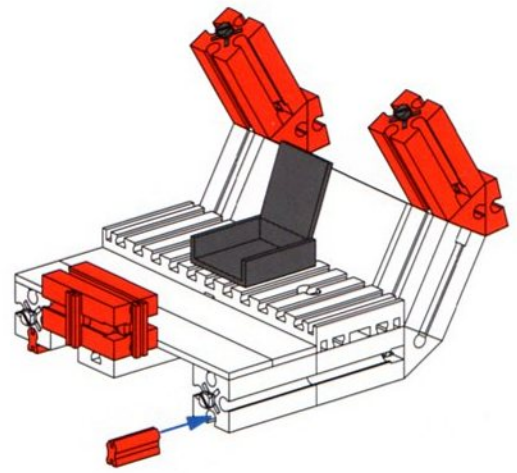
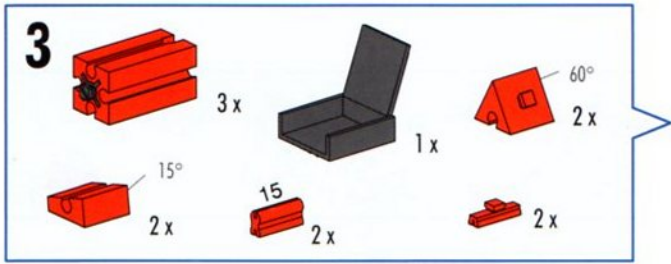


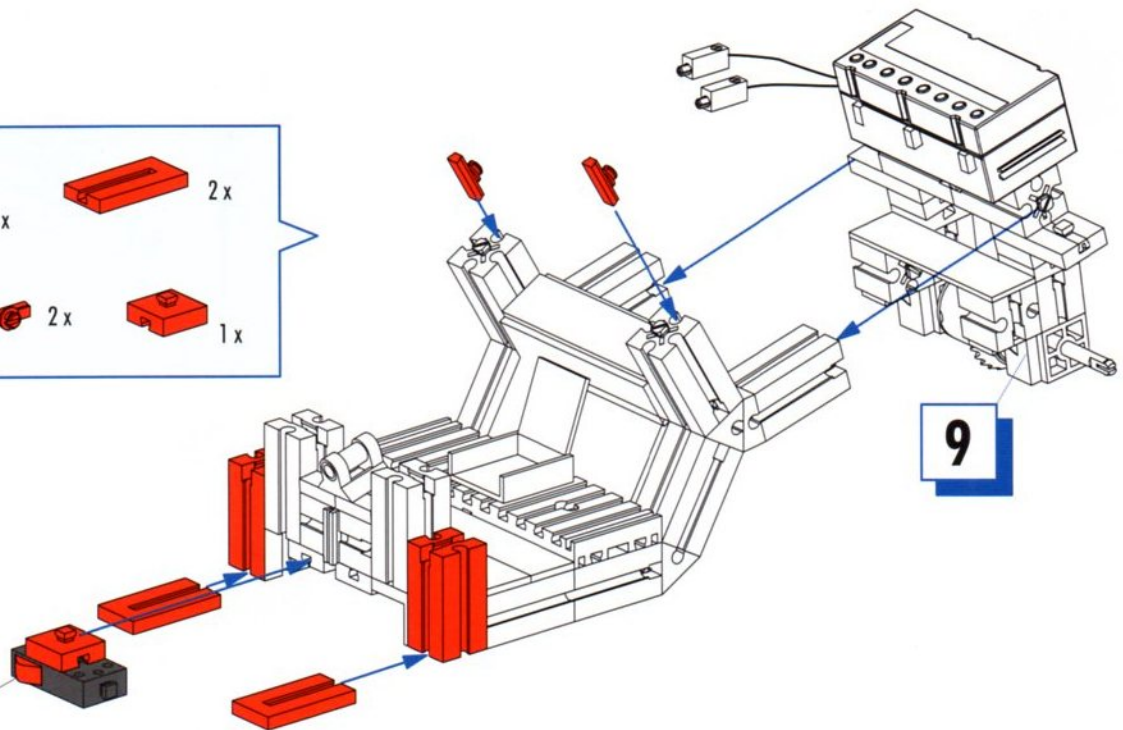
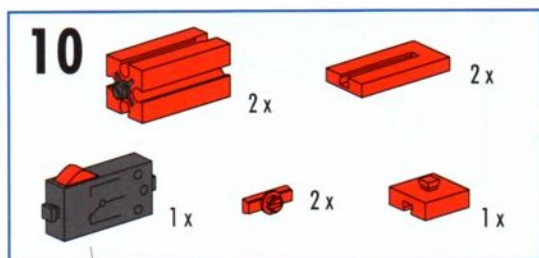
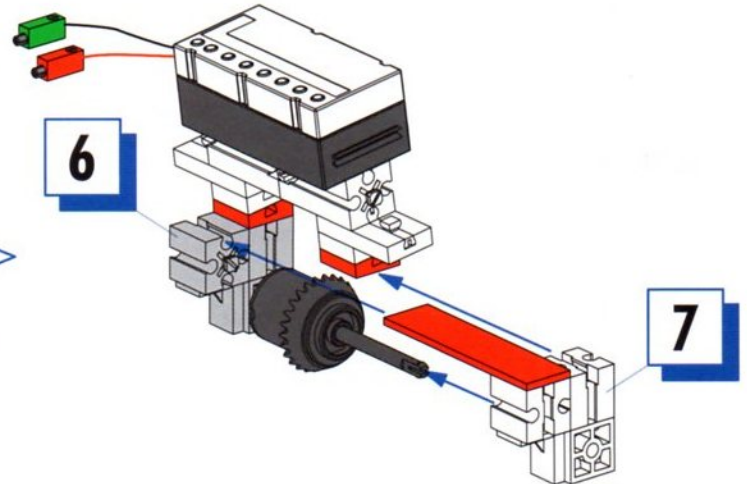
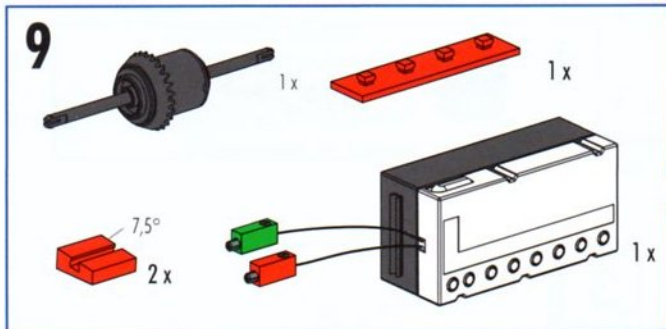
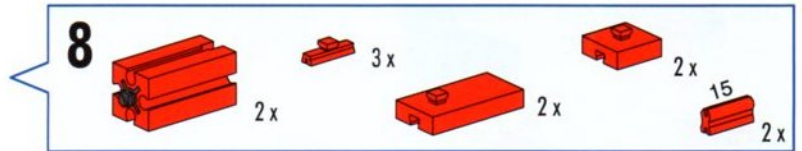
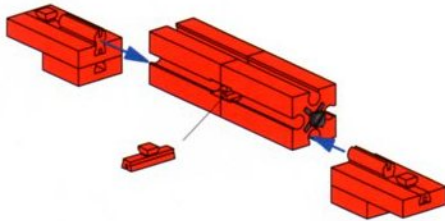
Stromversorgung  
Power supply  
Alimentation électrique

Stroomvoorziening  
Alimentación de corriente  
Alimentação elétrica





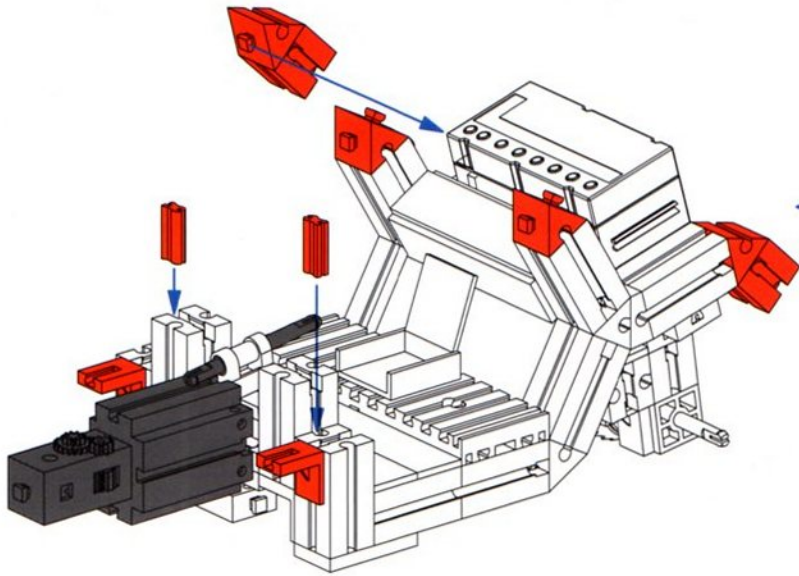




**Servofunktion**  
Track function  
Fonction direction assistée

**Rupsfunktion**  
Servofunción  
Servofunção

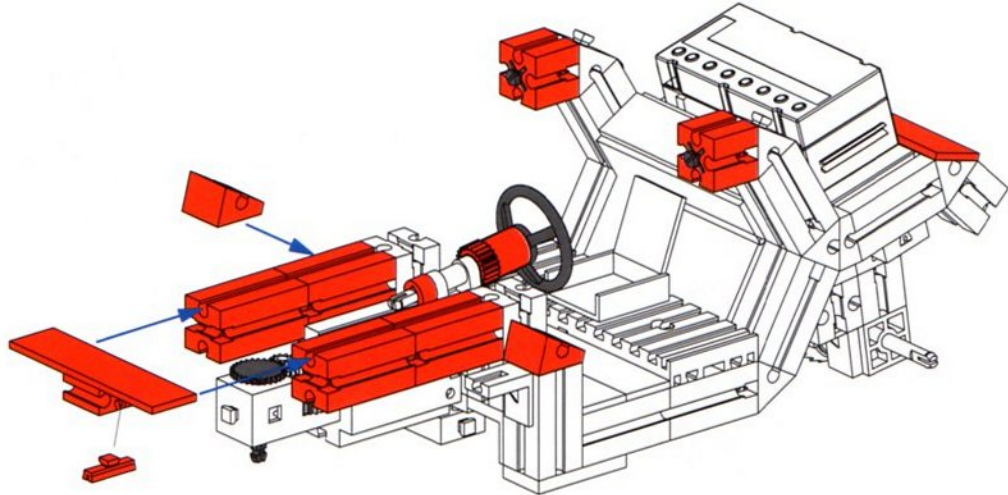
- Lenkfunktion auch ohne Taster möglich. Für automatische Rückstellung (Servofunktion, siehe Anleitung IR-Control Set) ist 1x Mini-Taster Art.-Nr. 37783 zusätzlich erforderlich (nicht Inhalt der Packung)
- Steering function also available without mini switch. For automatic return (servo-function, see instructions for IR control set): 1 x mini switch, Article No. 37783 is additionally required (not contained in set).
- Fonction de direction possible même sans contacteur. Pour la remise automatique au point zéro (fonction d'asservissement, voir notice IR-Control Set) 1x contacteur supplémentaire, N° d'art. 37783, est nécessaire (n'est pas contenu dans la fourniture).
- Stuurfunctie ook zonder knoppen mogelijk. Voor automatische instelling (bekrachtigingsfunctie, zie handleiding IR-Control Set) is 1x mini-knop, Art.-nr. 37783, extra noodzakelijk (niet in de verpakking inbegrepen).
- Es posible dirigir, incluso sin pulsador. Para el reajuste automático (servofunción, ver las instrucciones IR-Control Set) es necesario adicionalmente un minipulsador, art. n° 37783 (no contenido en el envase).
- A função de volante também é possível sem botão. Para a retrocolocação automática (com respeito à servo-função, vide o manual IR-Control Set) é necessário adicionalmente 1 vez um mini-botão, N° do art. 37783, (não está contido na embalagem).

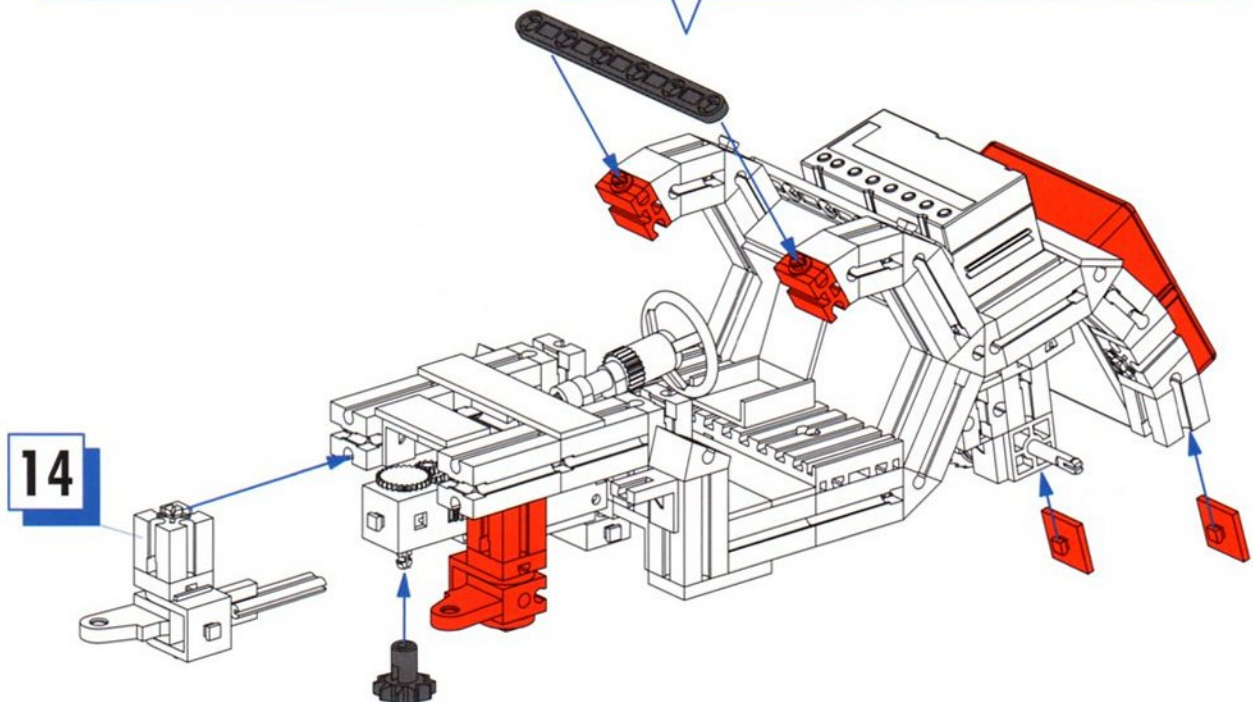
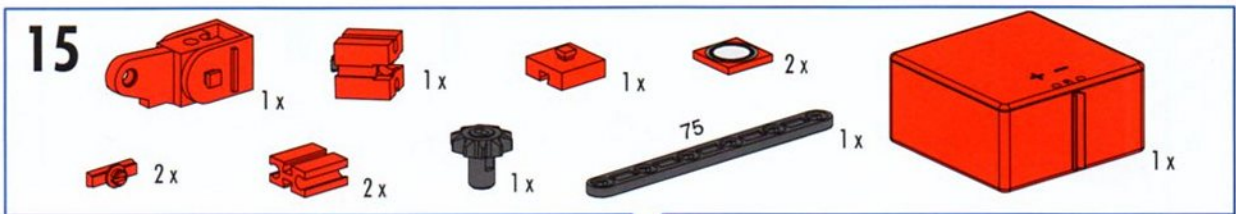
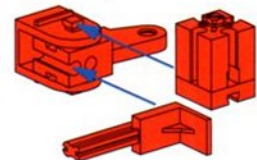
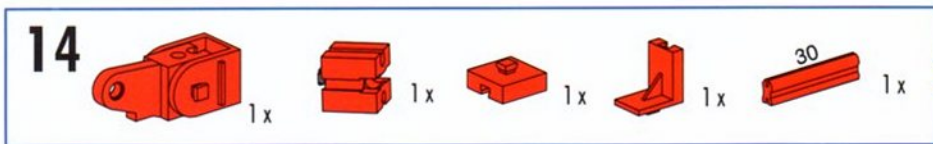
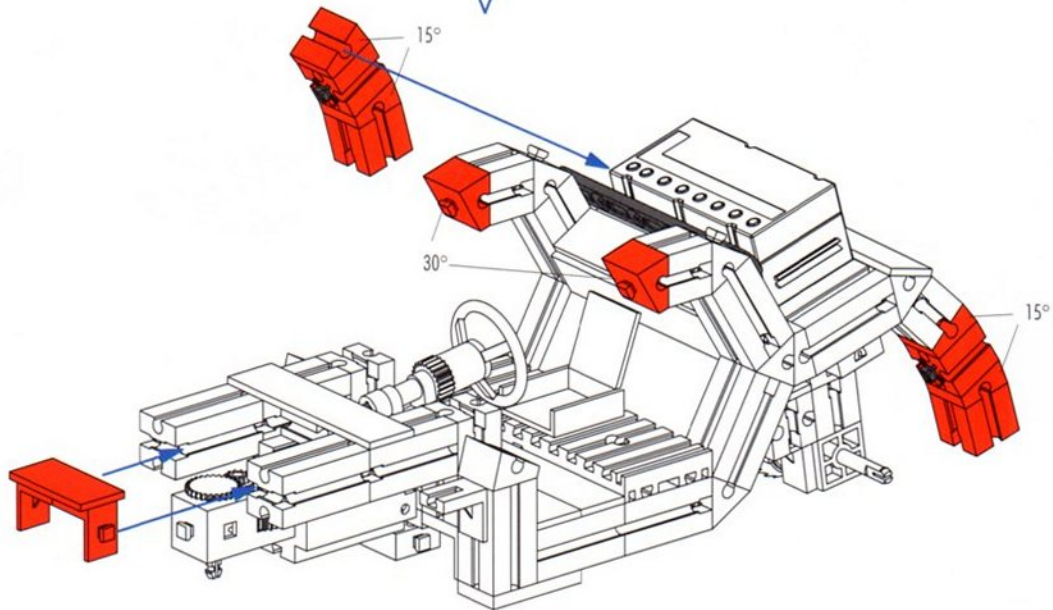


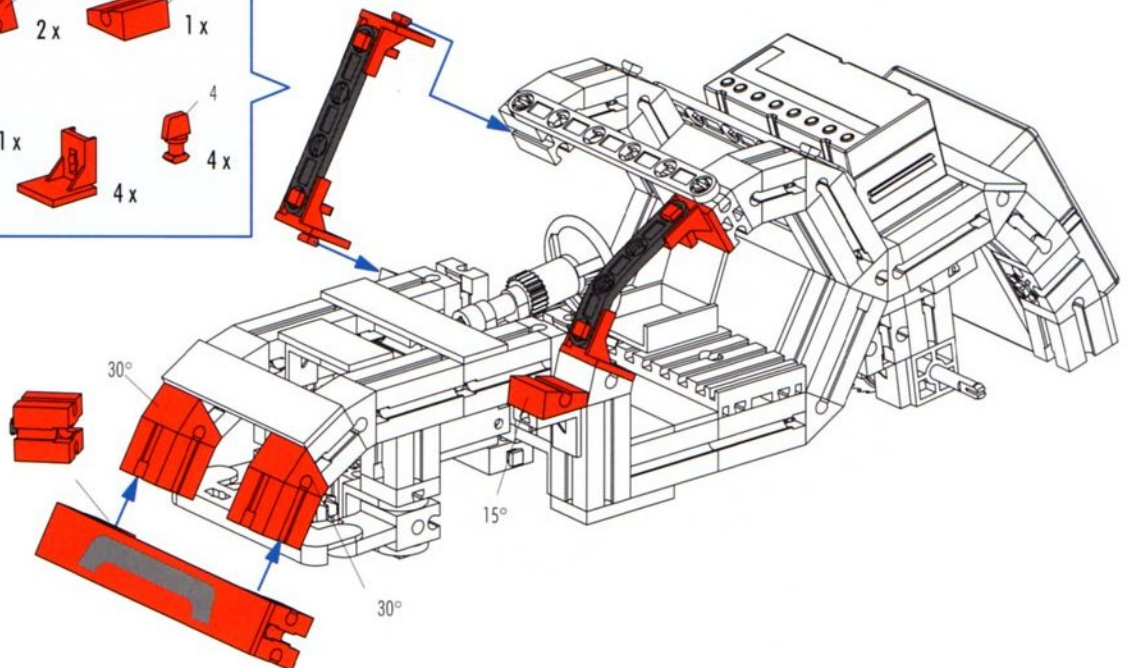
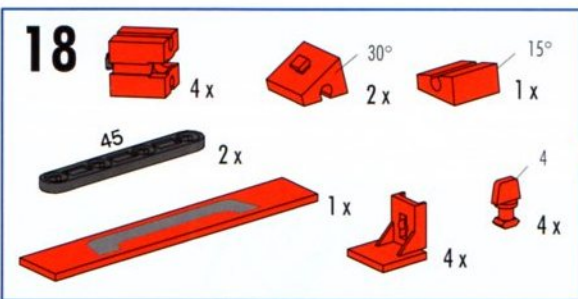
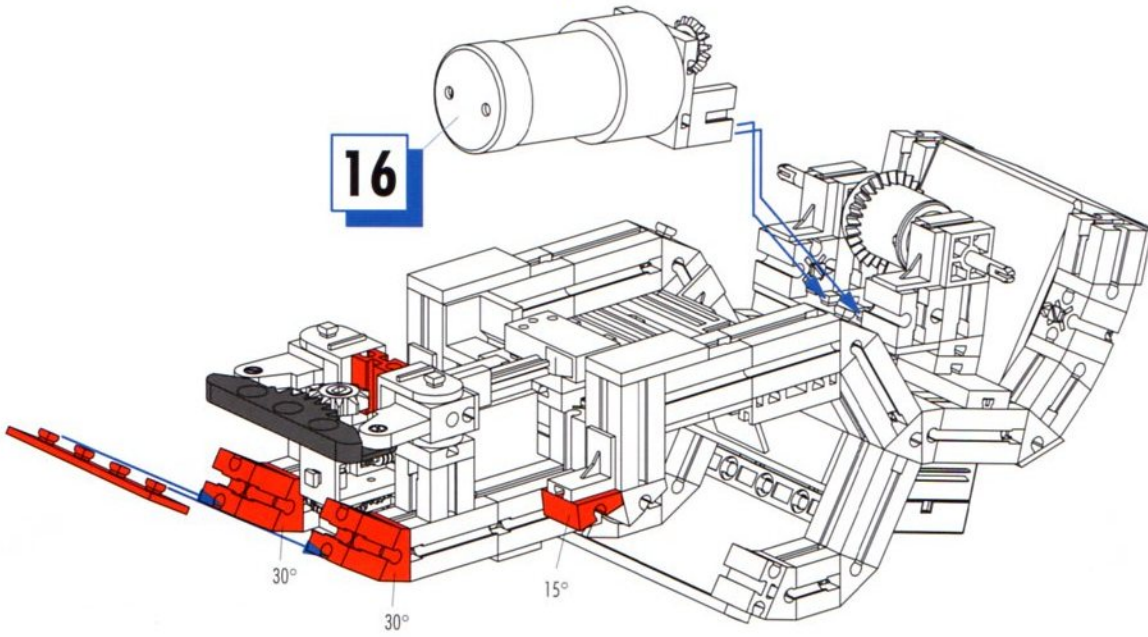
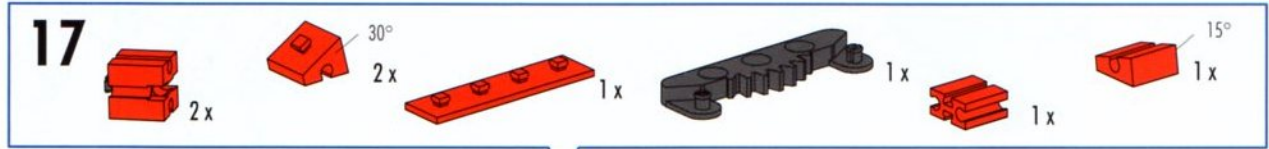
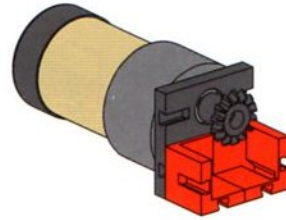
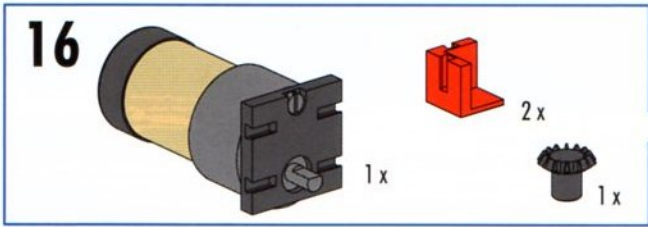
- 11**
- 2x [Red 2-hole Technic Pin]
  - 4x [Red 60° Technic Wedge]
  - 2x [Red L-shaped Technic Pin]
  - 1x [Black Motor]
  - 1x [Black Gear Box]
  - 2x [Red 15-hole Technic Beam]
  - 1x [Black 45mm Technic Axle]



- 12**
- 4x [Red 2-hole Technic Pin]
  - 2x [Red 2-hole Technic Pin]
  - 2x [Red 30° Technic Wedge]
  - 1x [Black Gear]
  - 1x [Black Steering Wheel]
  - 1x [Red 1-hole Technic Pin]
  - 1x [Red 15-hole Technic Beam]
  - 1x [Red 15-hole Technic Beam]
  - 1x [Red 2-hole Technic Pin]
  - 1x [Red 1-hole Technic Pin]
  - 1x [Red 1-hole Technic Pin]

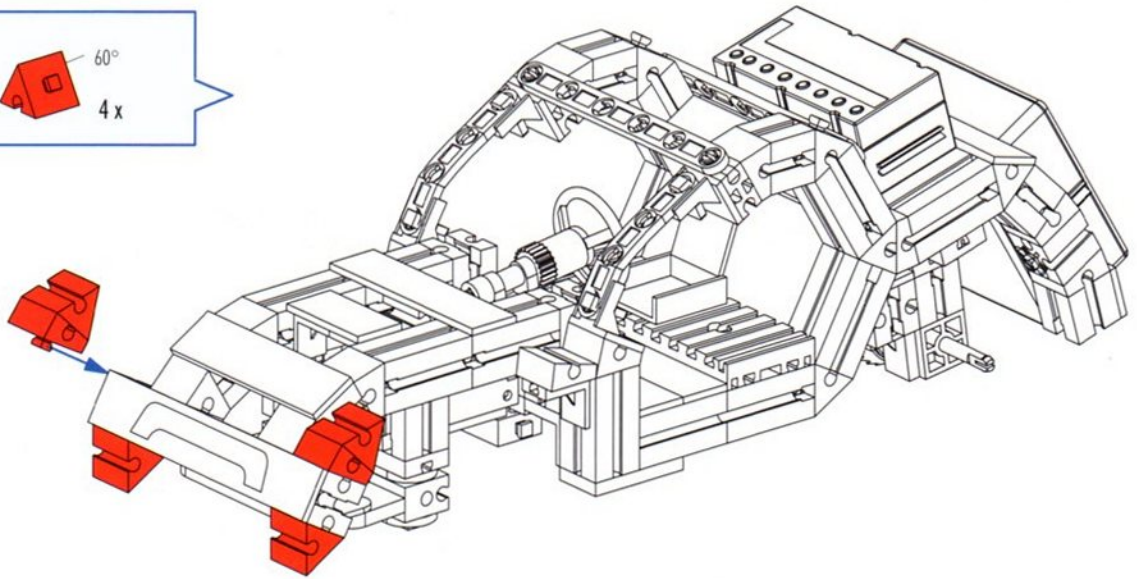






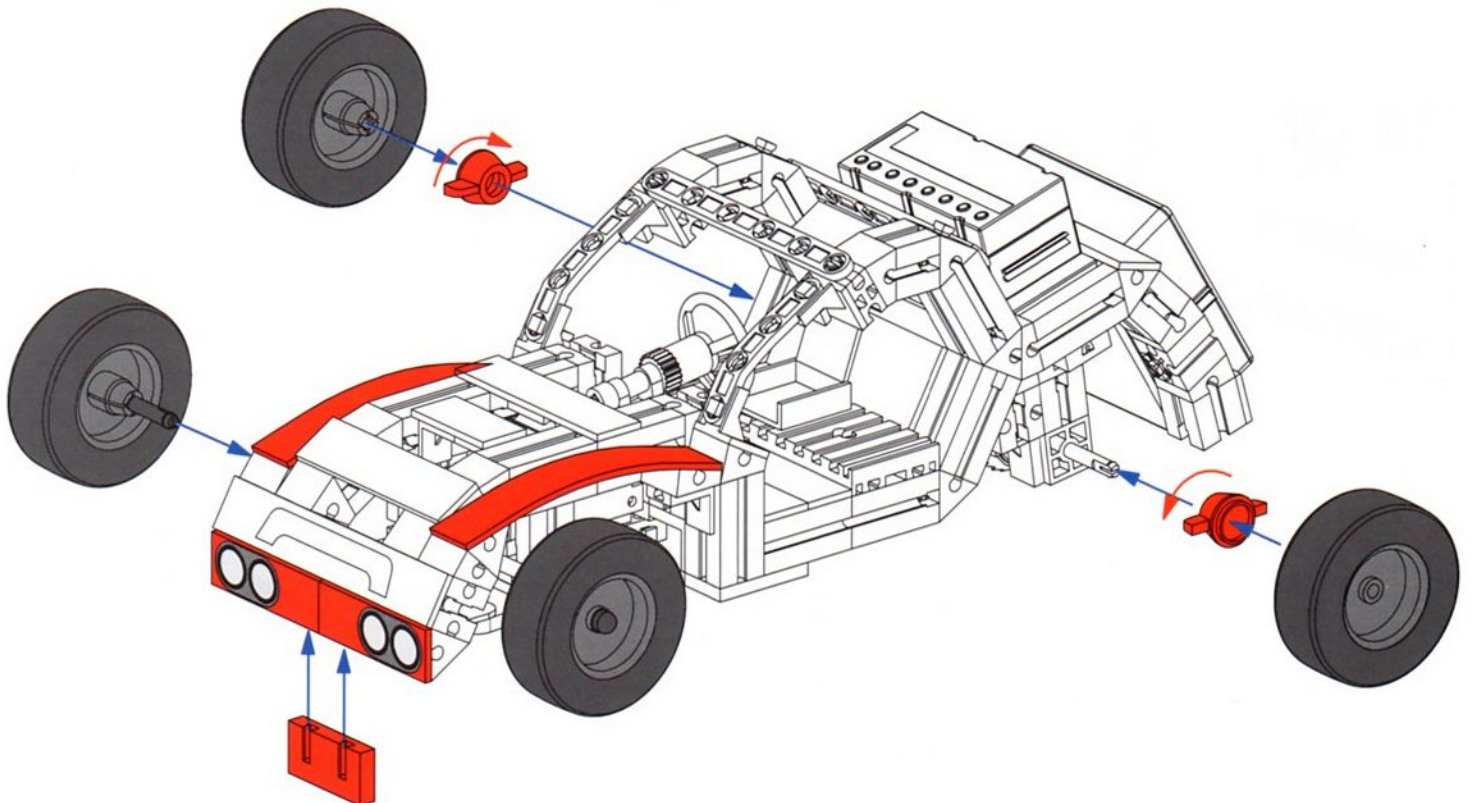
19

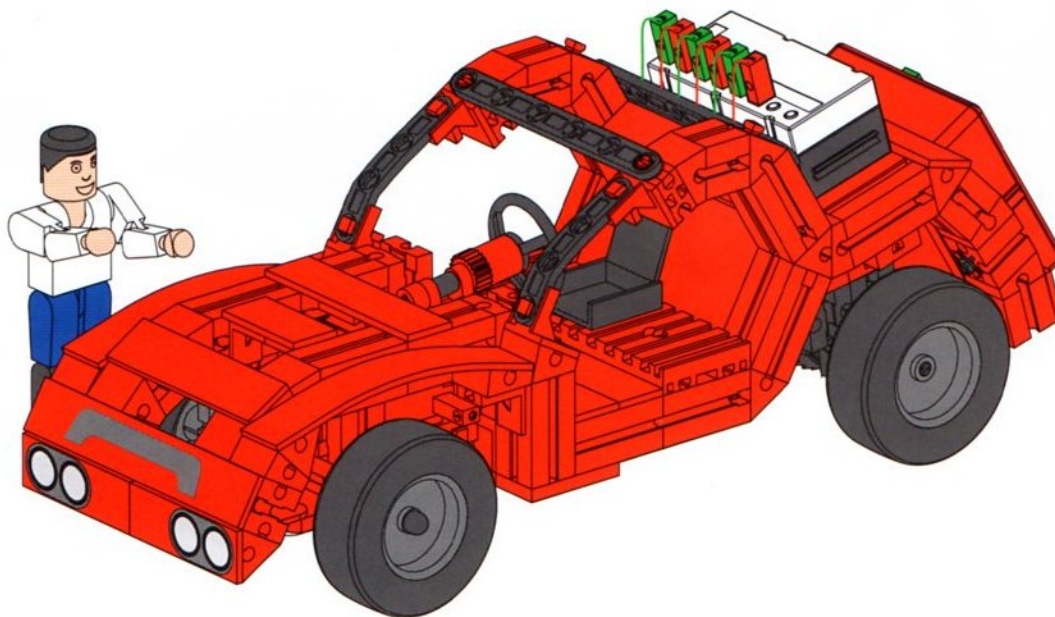
- 15° 2x
- 60° 4x



20

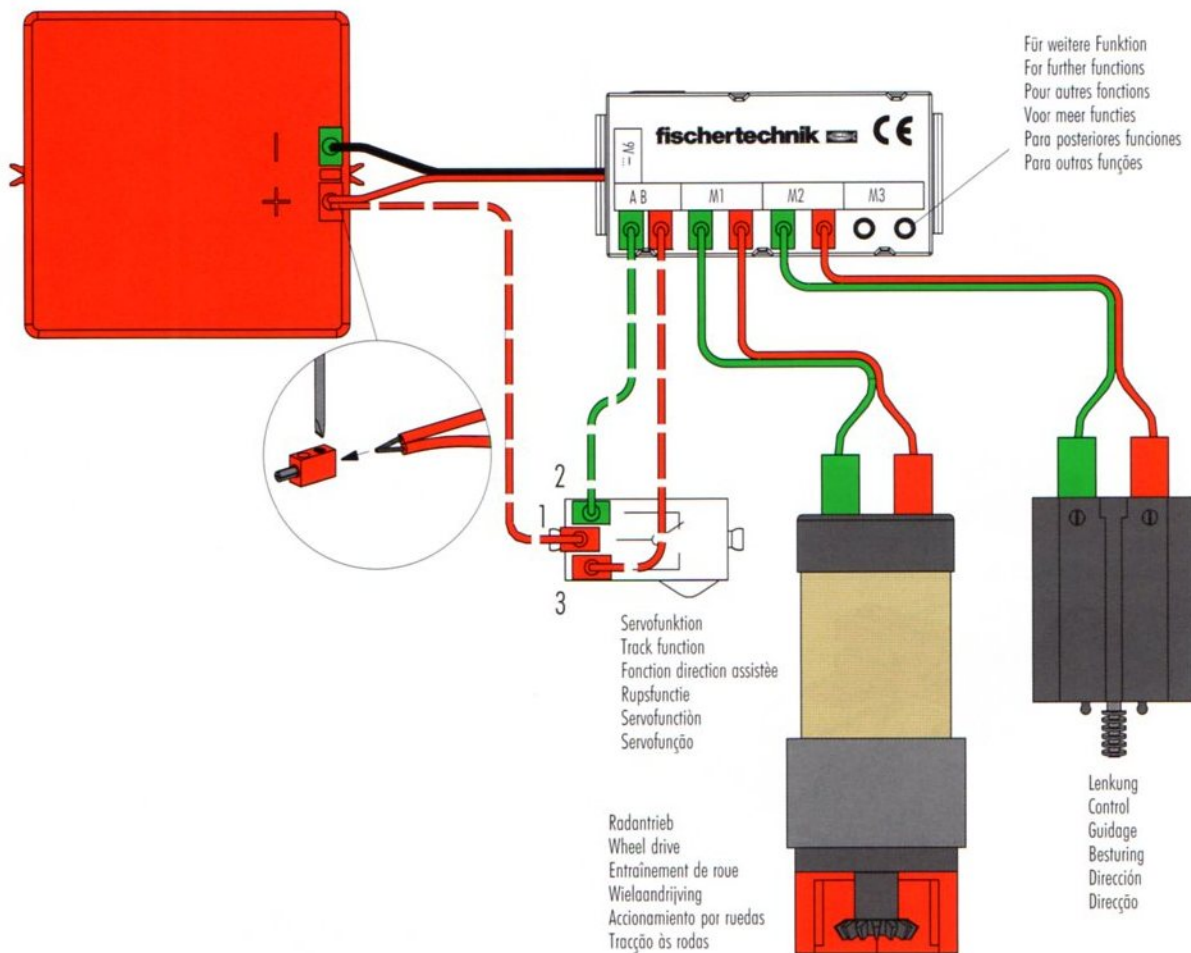
- 4x (grey wheel)
- 2x (black axle)
- 2x (red 1x5 Technic beam)
- 1x (red 1x2 Technic beam)
- 2x (red 1x2 Technic beam with holes)
- 2x (red axle pin)





Schaltplan  
Circuit diagram  
Plan électrique

Schakelschema  
Diagrama de circuitos  
Plano elétrico de ligação

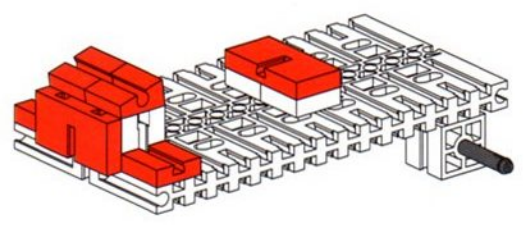
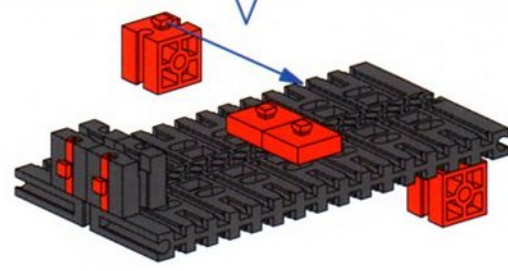


# Offroad



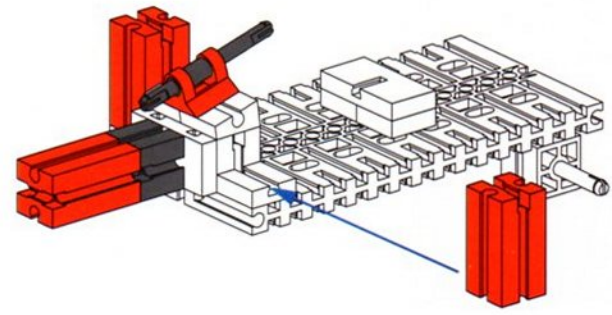
**1**

- 1x (10-hole) black Technic beam
- 2x black 2-hole Technic pins
- 2x red 1-hole Technic pins
- 2x red 2-hole Technic pins
- 2x red 1-hole Technic pins with a raised center



**2**

- 2x red 2-hole Technic pins
- 2x red 1-hole Technic pins with a 15-degree angle
- 2x red 1-hole Technic pins
- 1x black 98mm Technic axle



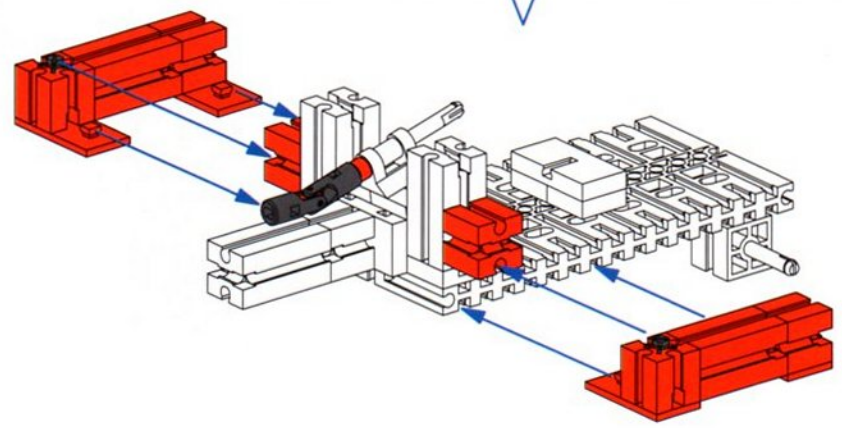
**3**

- 3x red 3-hole Technic pins
- 1x black 2-hole Technic pin
- 1x red 1-hole Technic pin with a raised center
- 1x black 45mm Technic axle



**4**

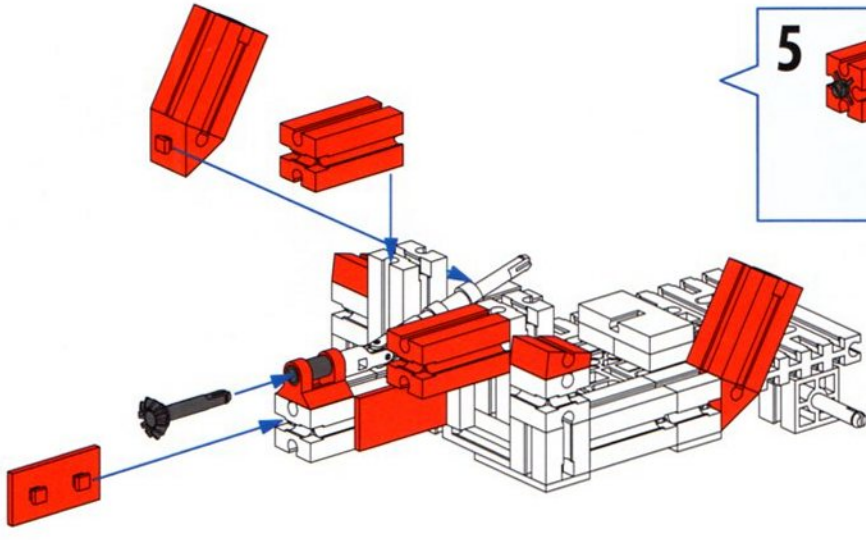
- 2x red 3-hole Technic pins
- 6x red 2-hole Technic pins
- 4x red 1-hole Technic pins
- 1x black axle with a red bush
- 1x red bush





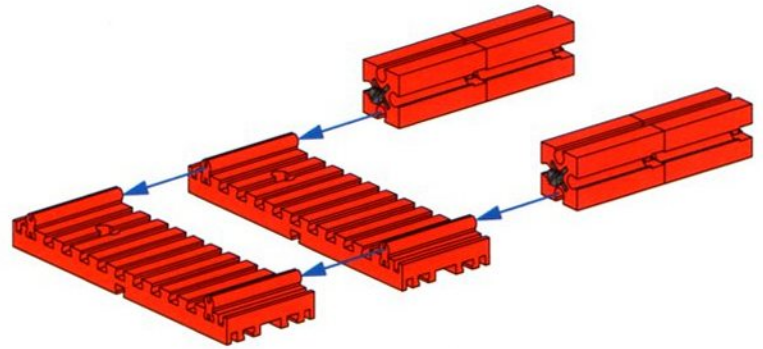
**5**

- 4 x [Red Technic Beam 1x3 with Pin Hole]
- 2 x [Red Technic Angle 60°]
- 2 x [Red Technic Angle 15°]
- 1 x [Red Technic Pin]
- 2 x [Red Technic Plate 1x2]
- 1 x [Black Technic Pin]

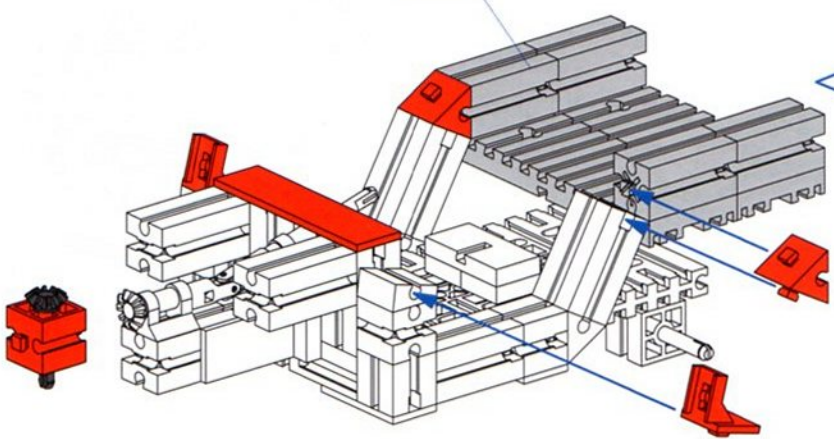


**6**

- 2 x [Red Technic Beam 1x10 with Grooves]
- 4 x [Red Technic Beam 1x3 with Pin Hole]
- 4 x [Red Technic Pin 30]



**6**

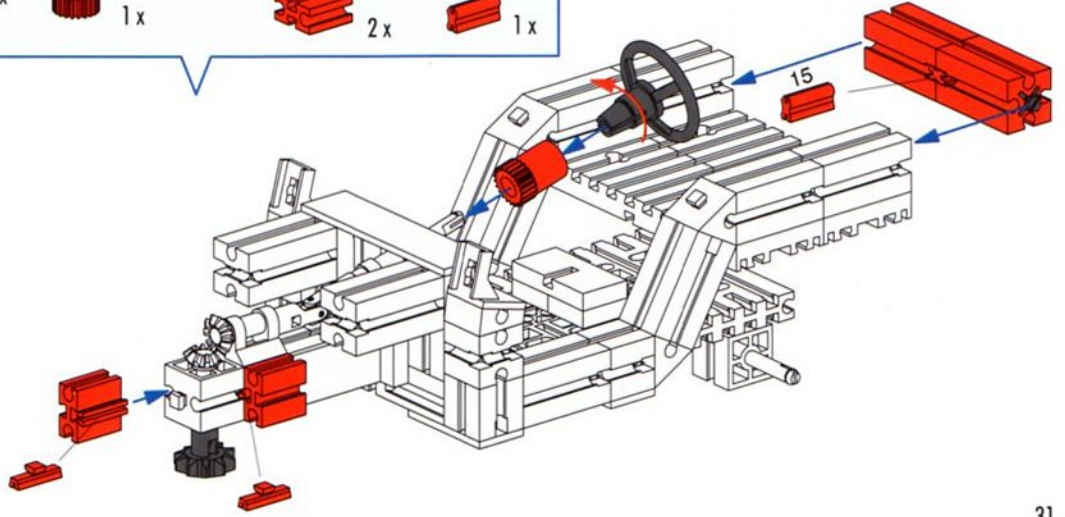


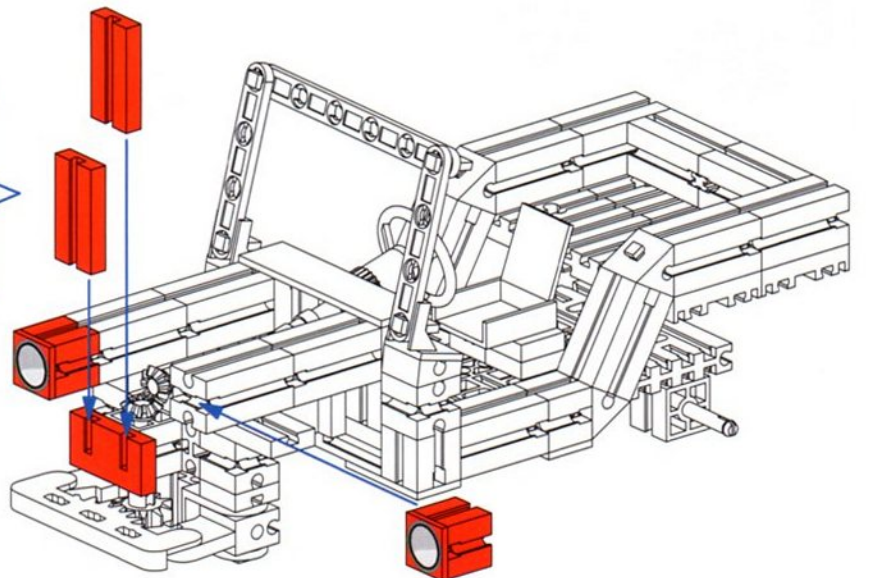
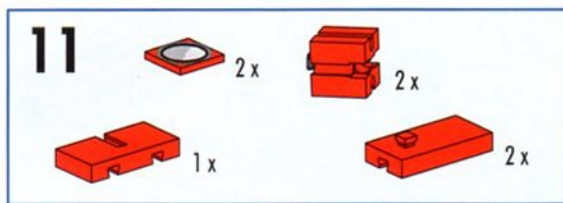
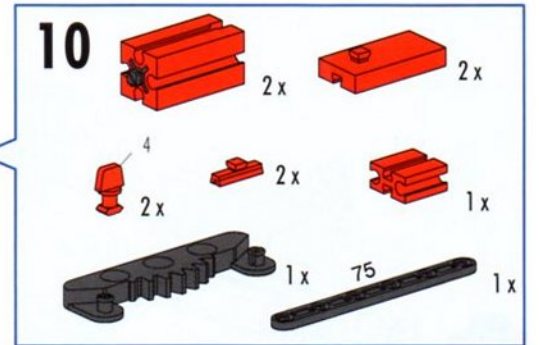
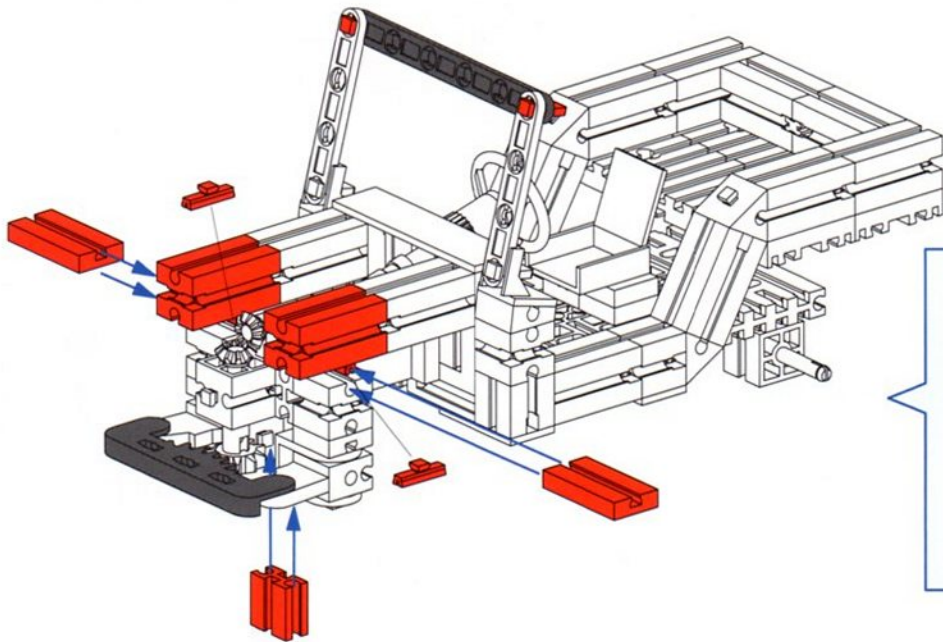
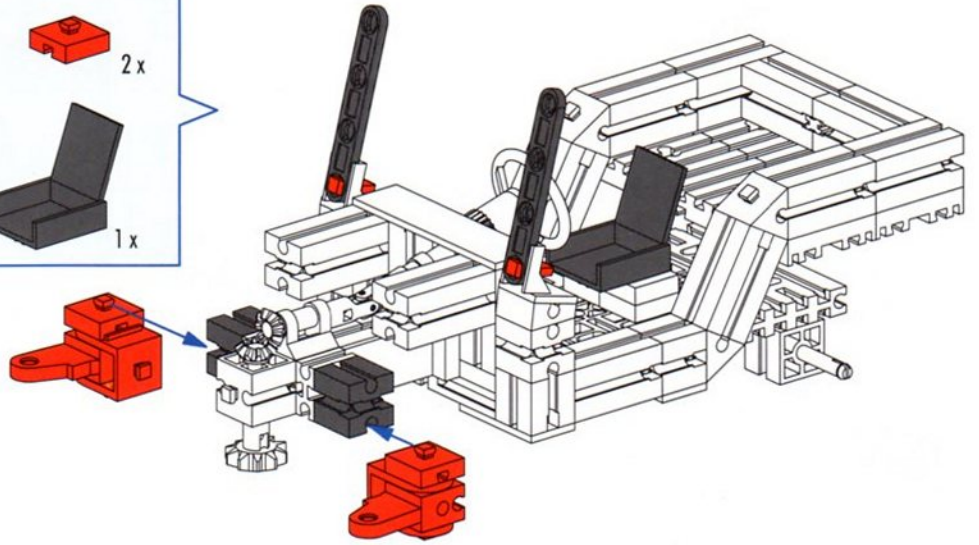
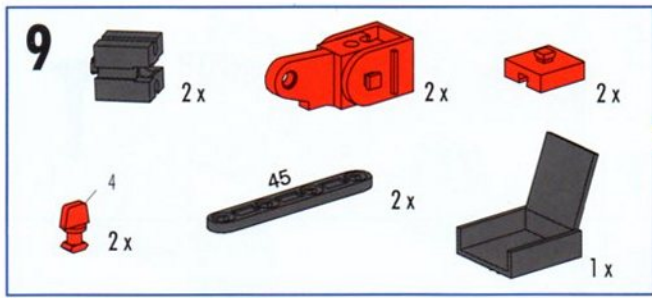
**7**

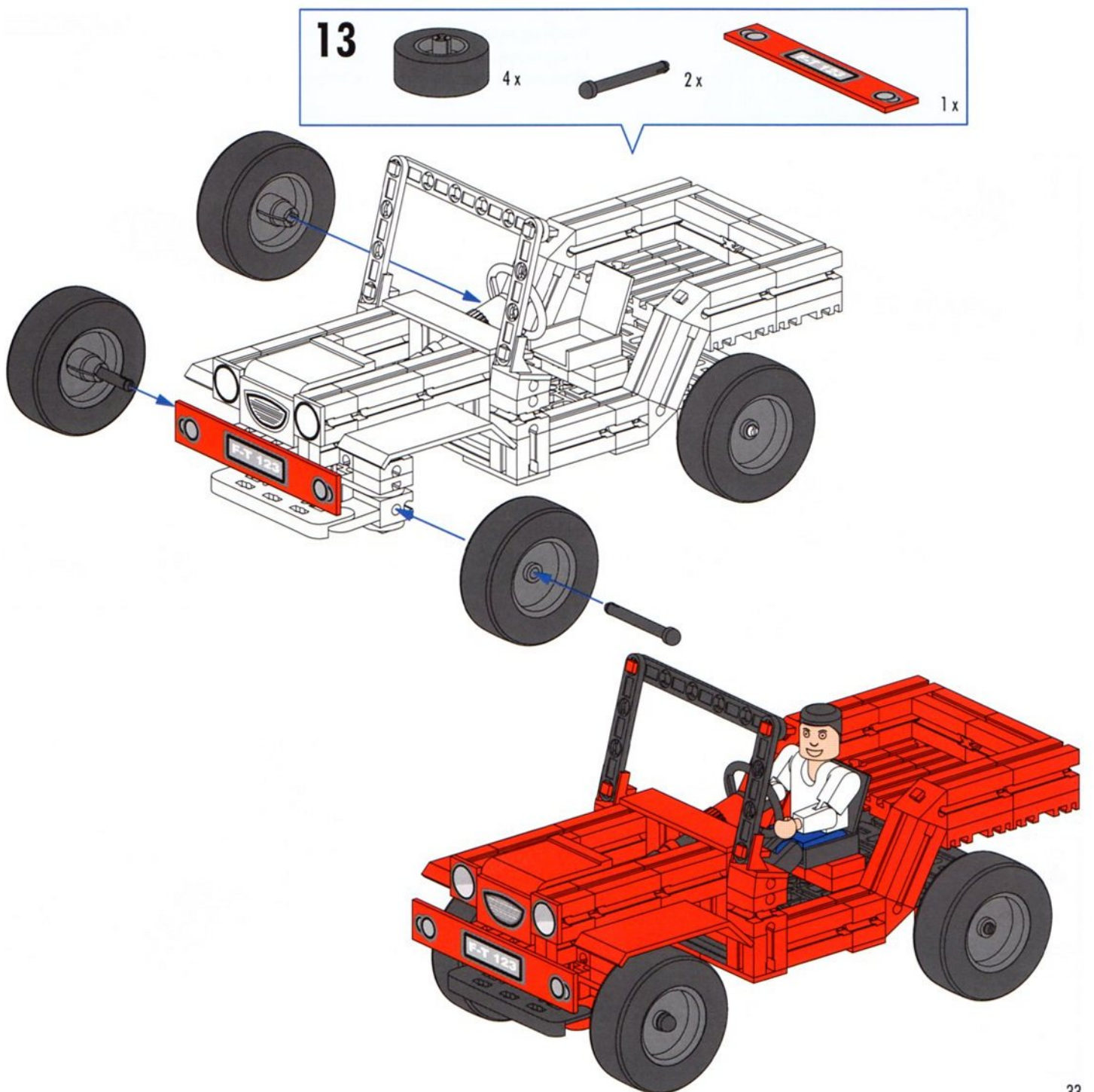
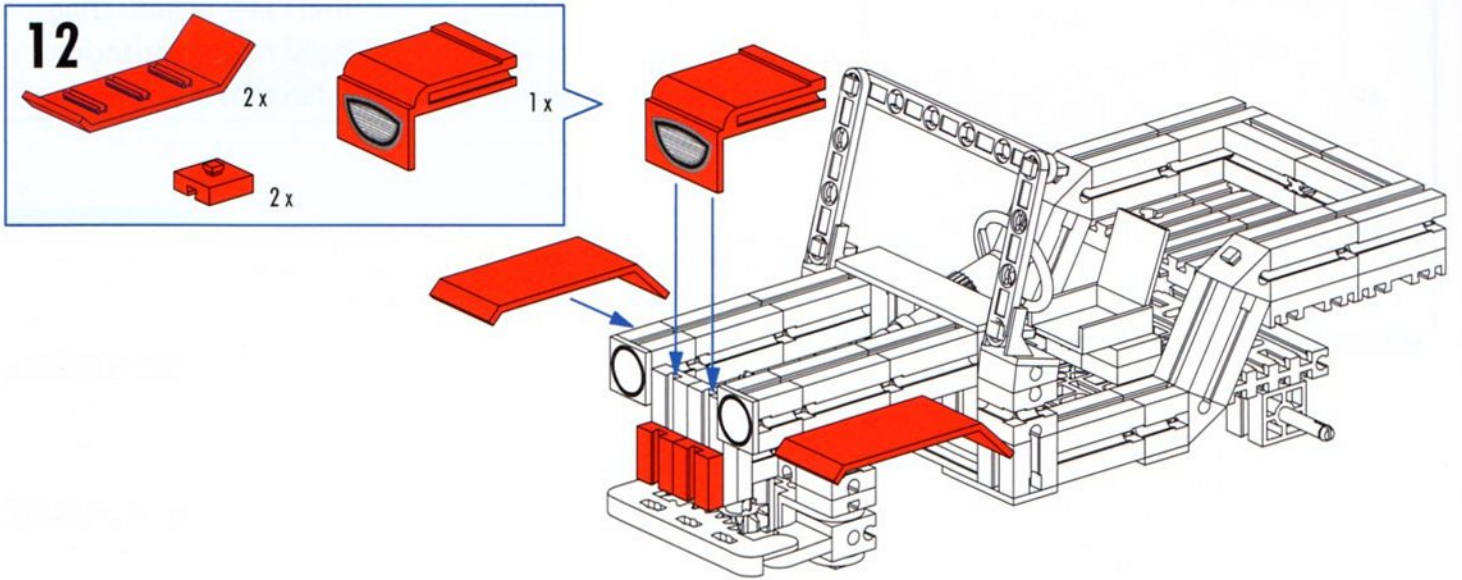
- 1 x [Red Technic Connector]
- 2 x [Red Technic Angle 60°]
- 1 x [Red Technic Plate 1x4]
- 2 x [Red Technic Angle 15°]
- 1 x [Black Technic Pin]

**8**

- 2 x [Red Technic Beam 1x3 with Pin Hole]
- 1 x [Black Technic Wheel]
- 1 x [Red Technic Pin]
- 1 x [Black Technic Pin]
- 2 x [Red Technic Beam 1x3 with Pin Hole]
- 2 x [Red Technic Plate 1x2]
- 1 x [Red Technic Pin 15]









Offroad mit Motorisierung  
 Offroad with motorization  
 Offroad avec motorisation

Offroad met motorisering  
 Offroad con motorización  
 Offroad com motorização

zusätzlich erforderlich  
 additionally required  
 à commander en supplément  
 extra noodzakelijk  
 adicionalmente necesario  
 adicionalmente necessário

Radantrieb  
 Wheel drive  
 Entraînement de roue

Wiel aandrijving  
 Accionamiento por ruedas  
 Tracção às rodas

Power Motor  
 Set  
 34965

Lenkung  
 Control  
 Guidage

Stuurinrichting  
 Dirección  
 Direcção

Mini Motor  
 Set  
 30342

Fernsteuerung  
 Remote control  
 Télécommande

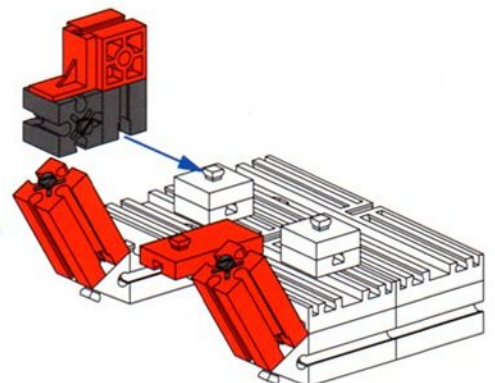
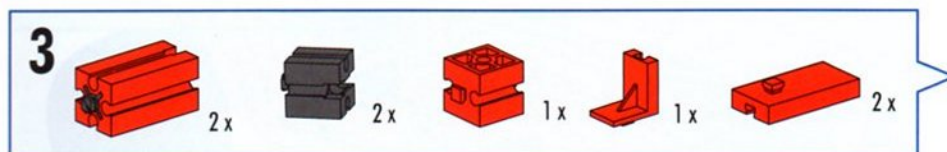
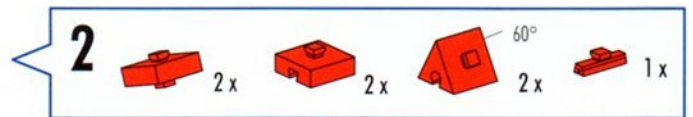
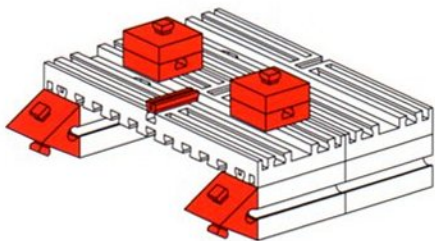
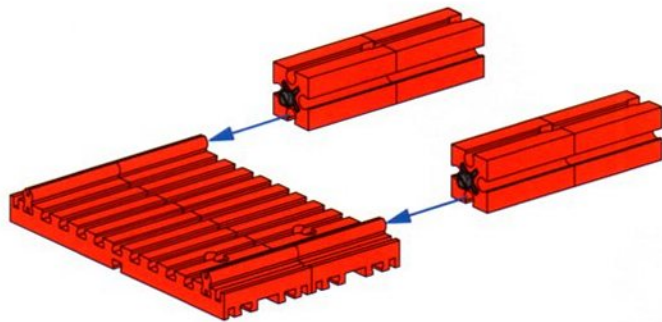
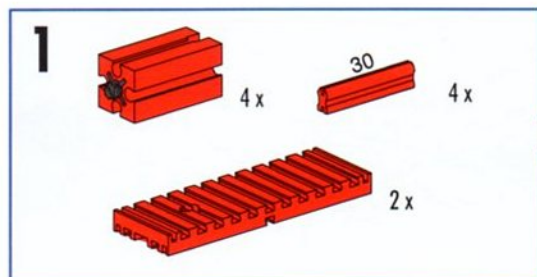
Afstandsbesturing  
 Mando a distancia  
 Telecomando

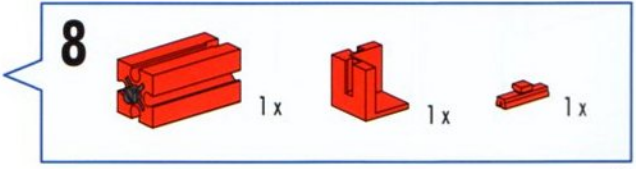
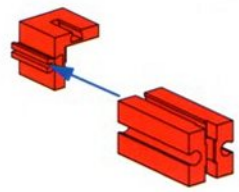
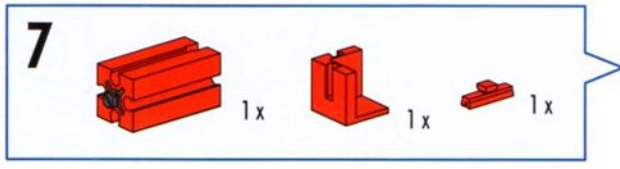
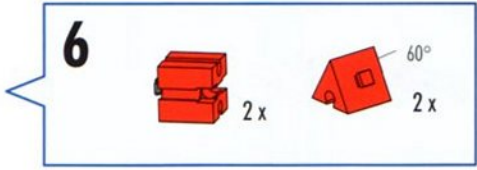
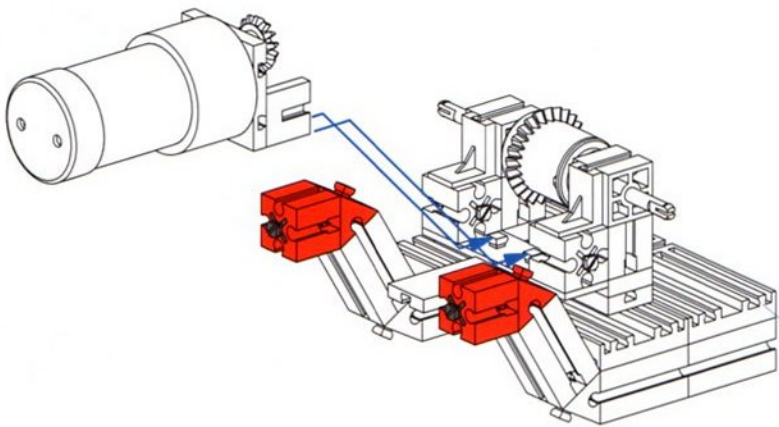
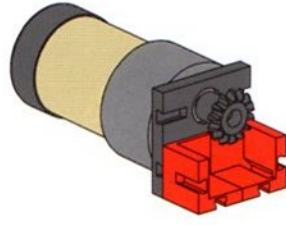
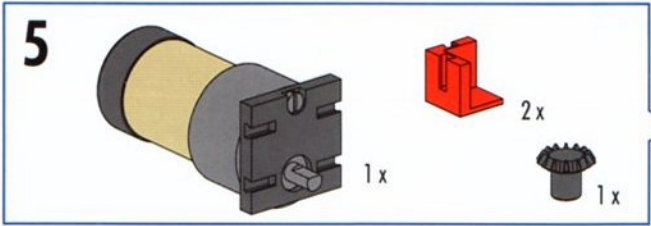
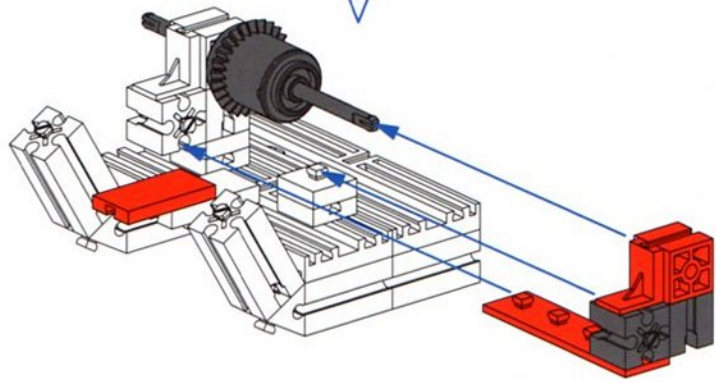
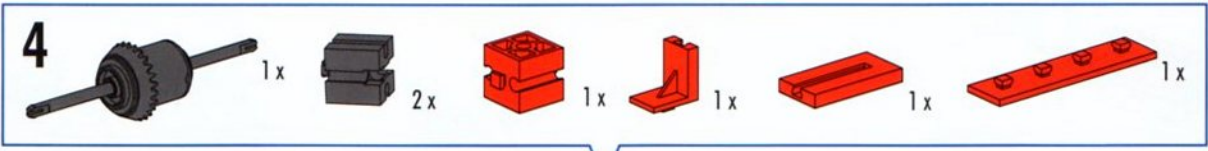
IR Control  
 Set  
 30344

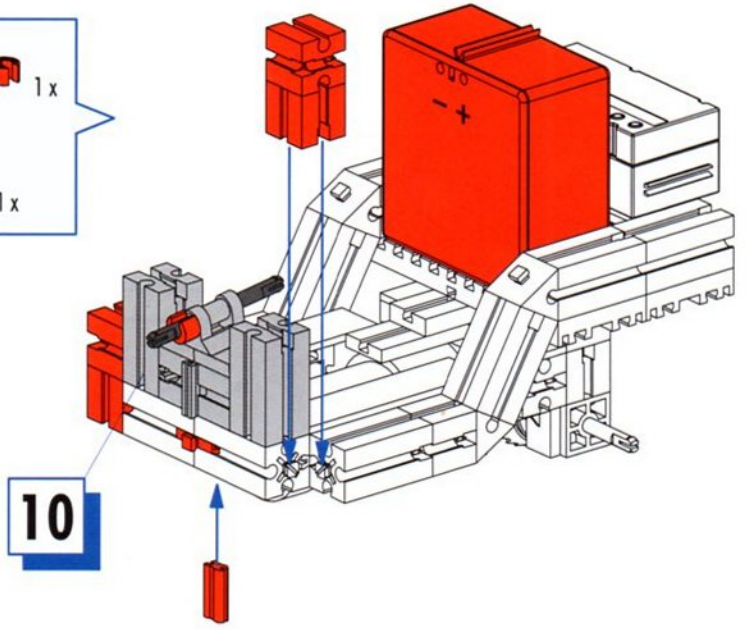
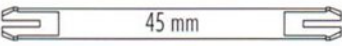
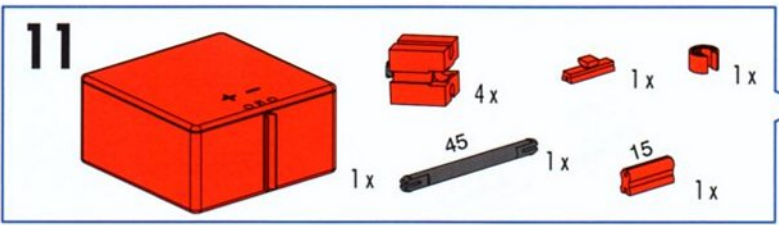
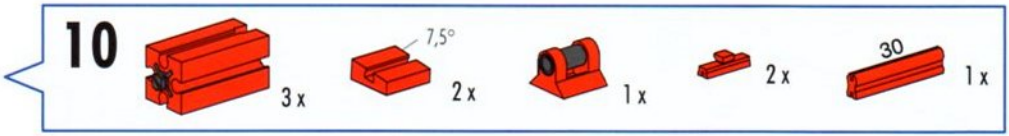
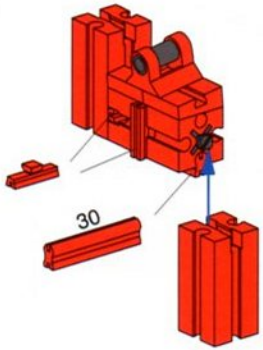
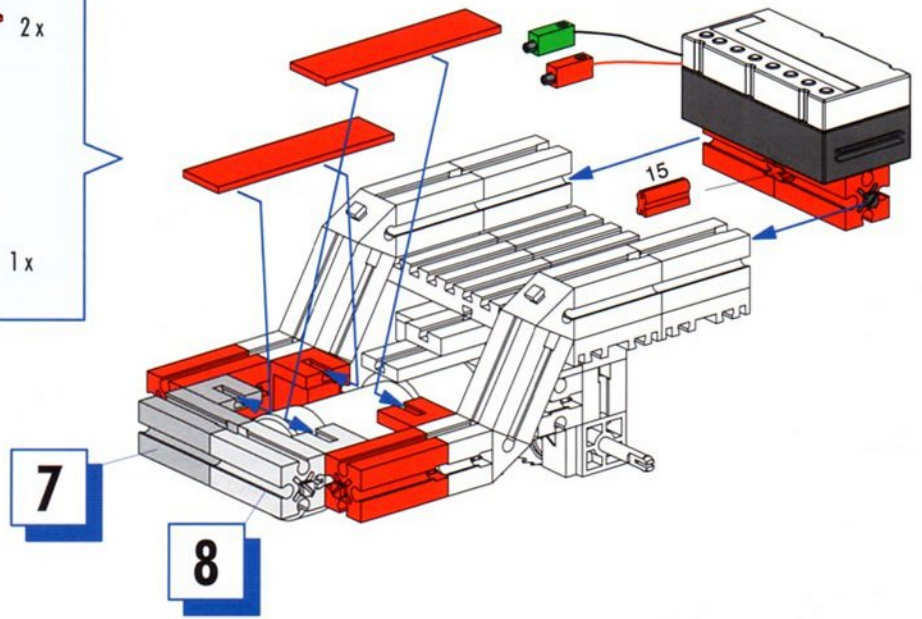
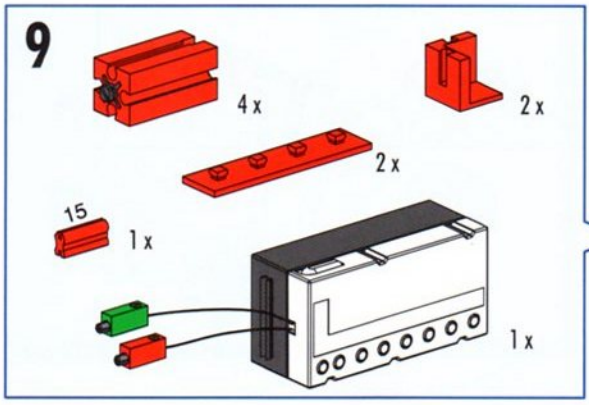
Stromversorgung  
 Power supply  
 Alimentation électrique

Stroomvoorziening  
 Alimentación de corriente  
 Alimentação elétrica

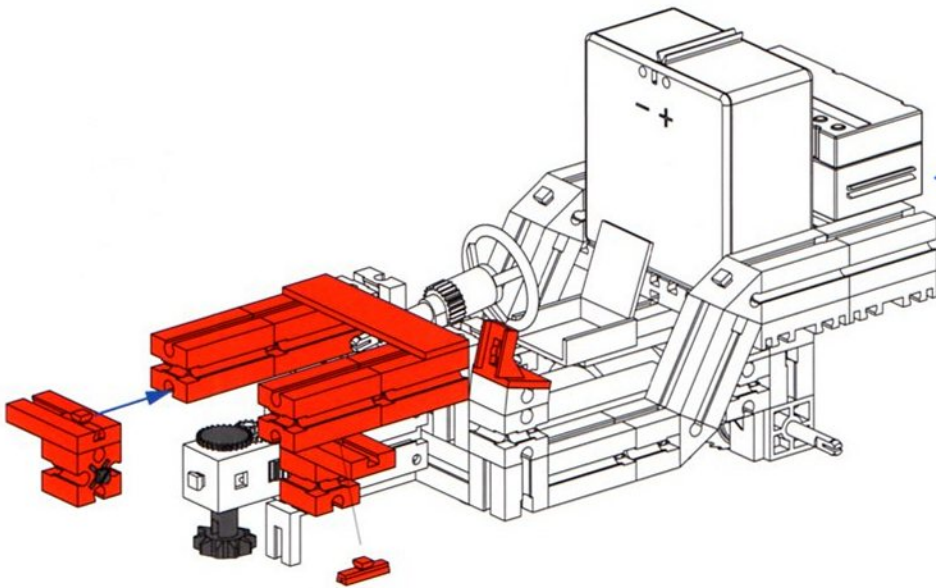
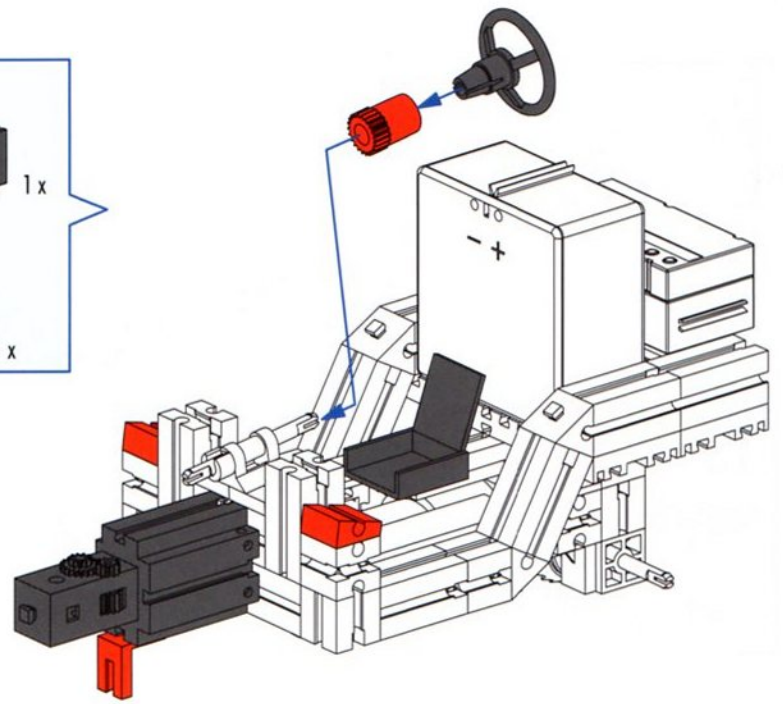
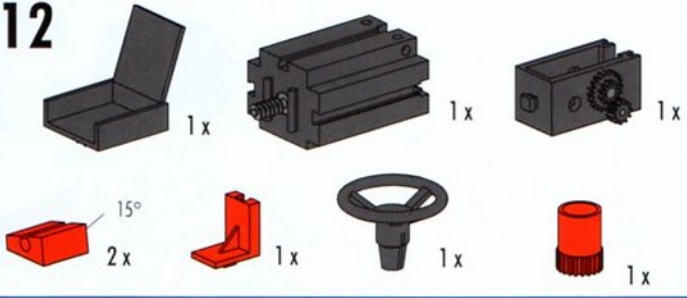
Accu  
 Set  
 34969



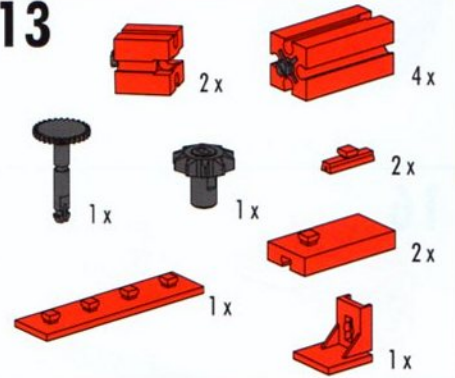




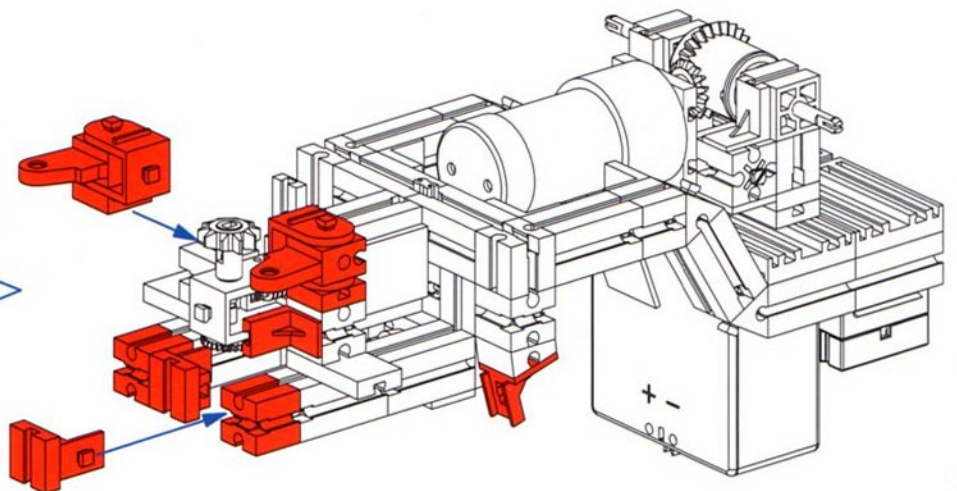
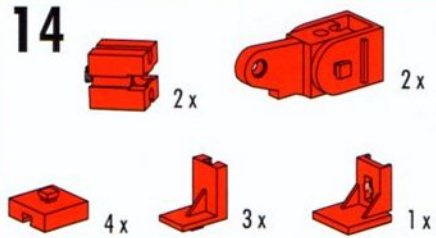
12

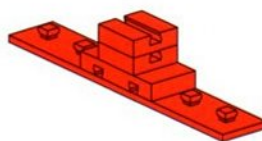
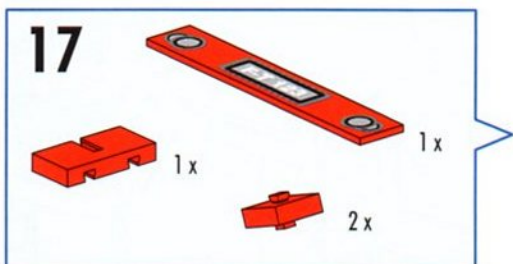
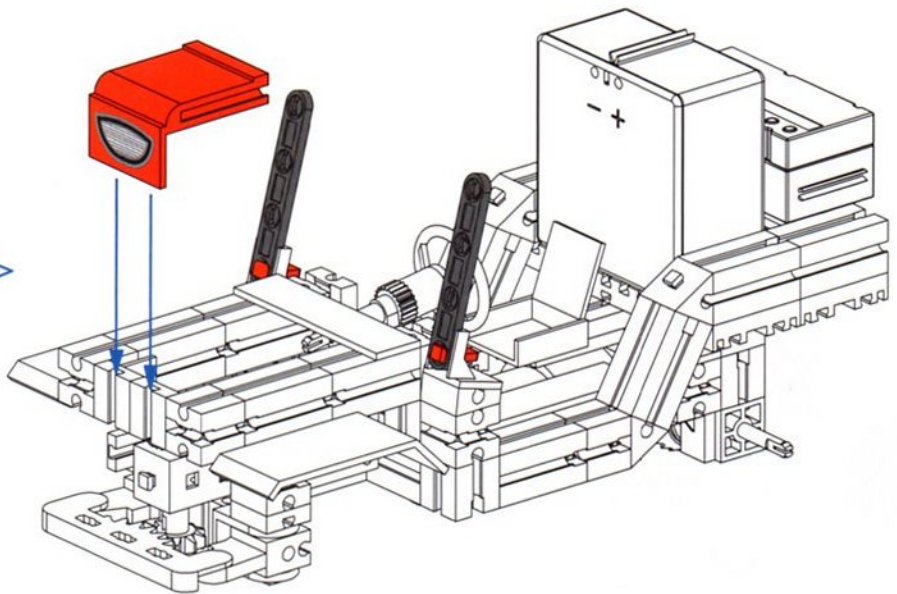
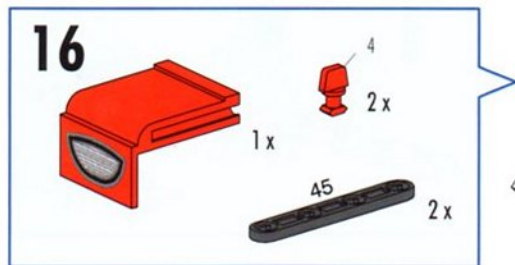
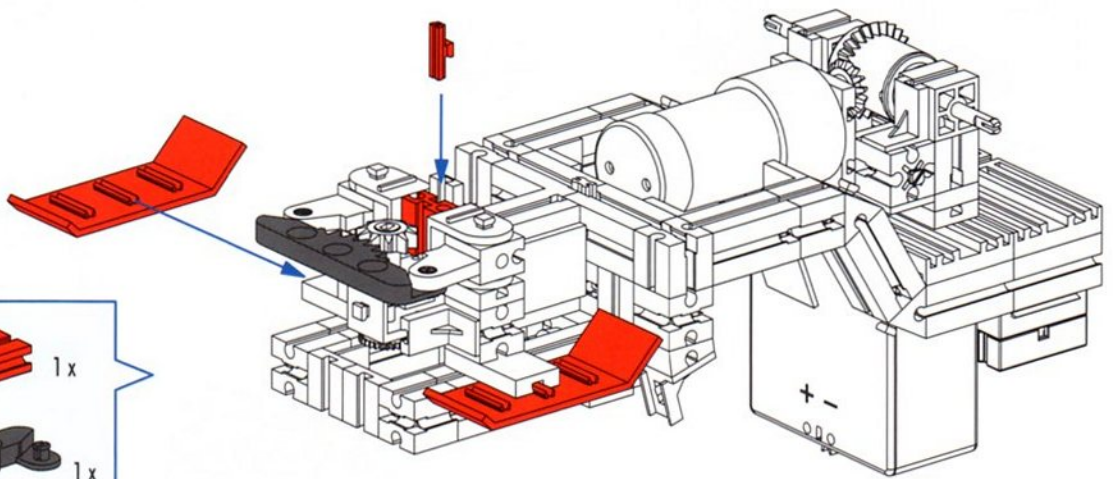
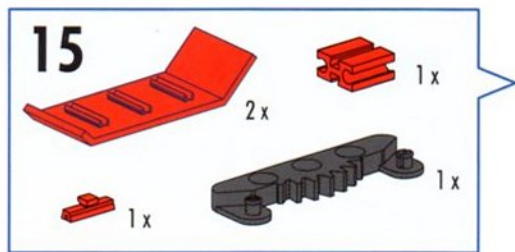


13



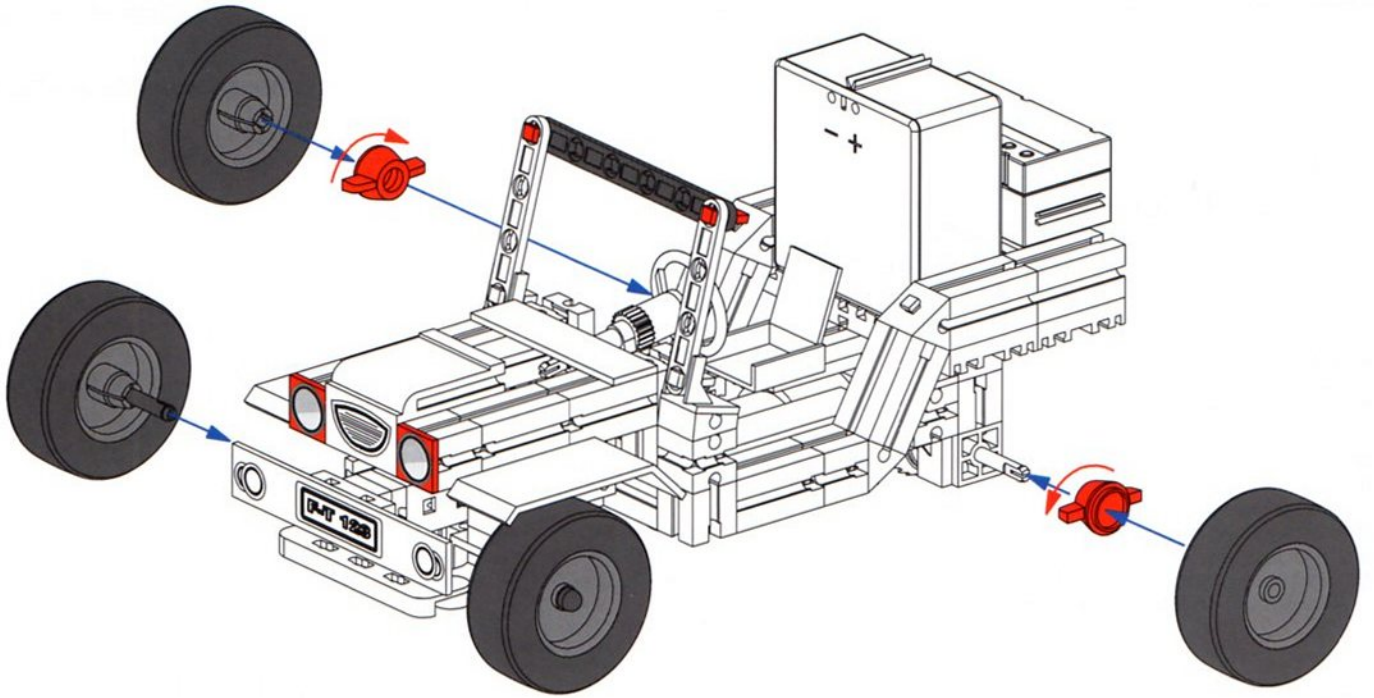
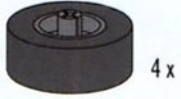
14

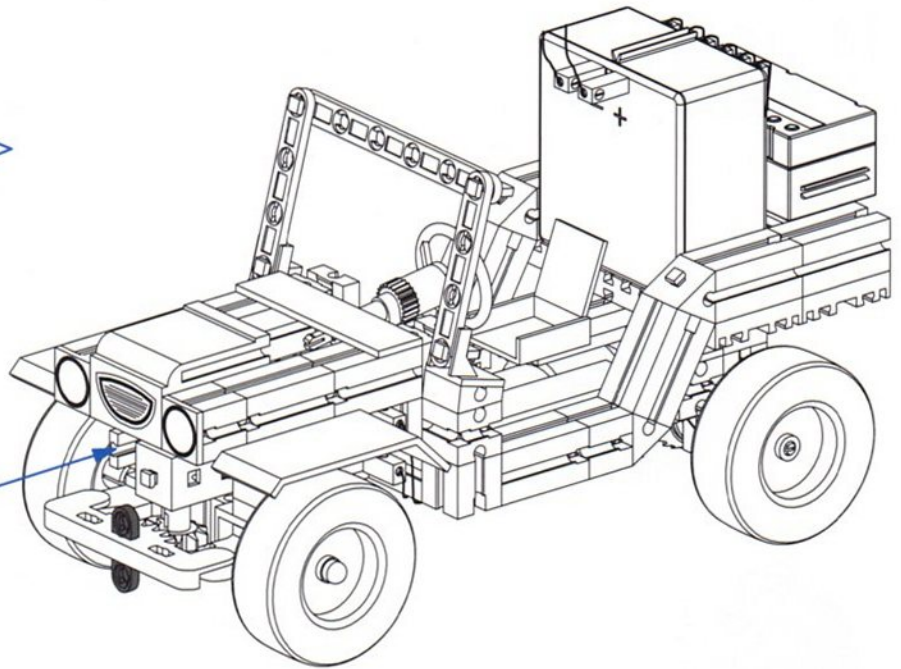
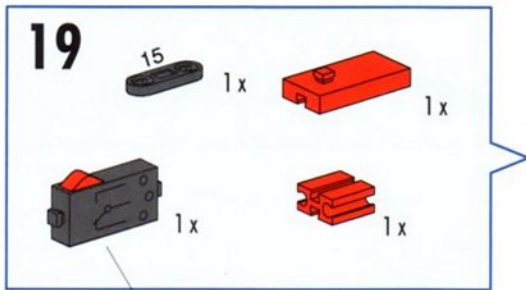






18





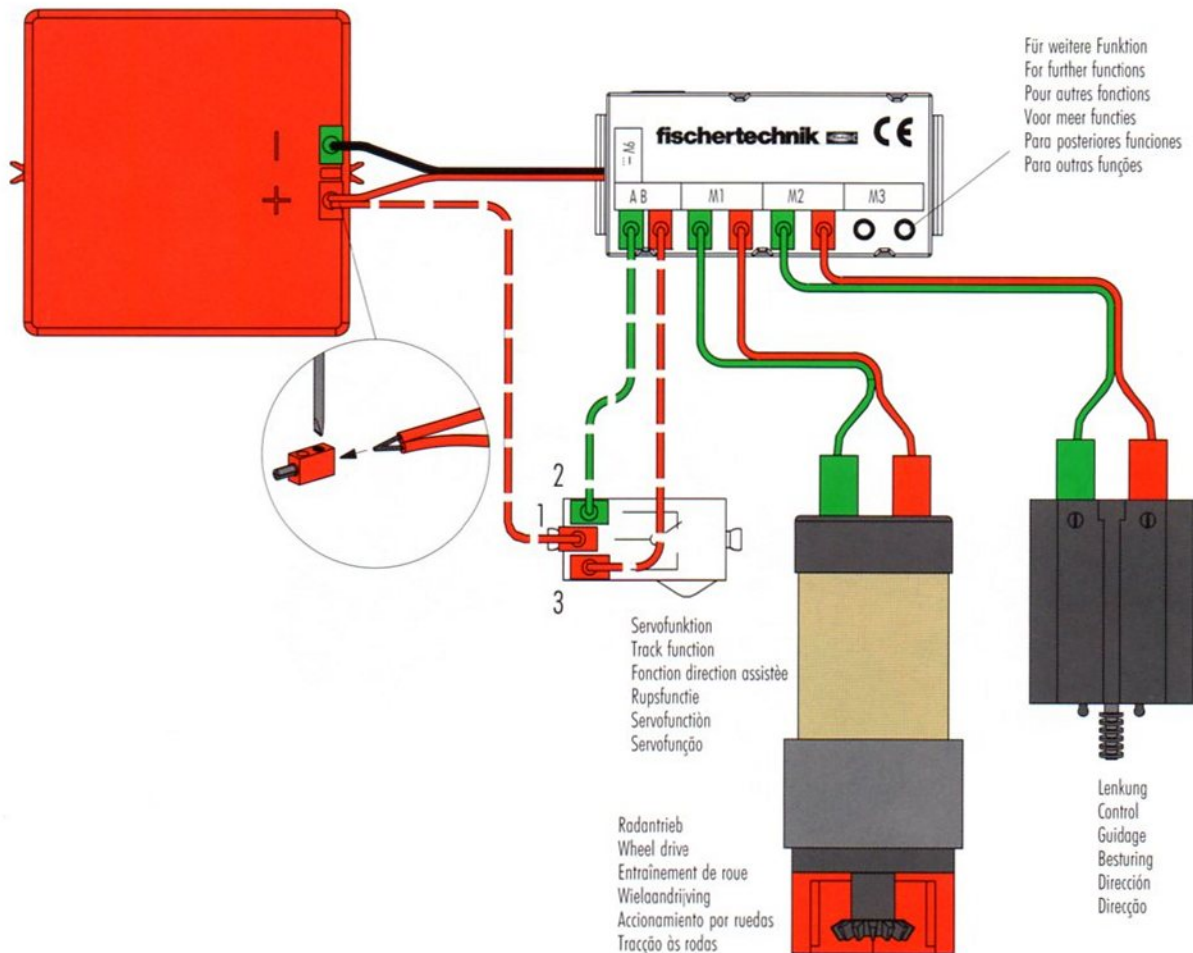
**Servofunktion**  
Track function  
Fonction direction assistée

**Rupsfunktion**  
Servofunktion  
Servofunção

- Lenkfunktion auch ohne Taster möglich. Für automatische Rückstellung (Servofunktion, siehe Anleitung IR-Control Set) ist 1x Mini-Taster Art.-Nr. 37783 zusätzlich erforderlich (nicht Inhalt der Packung)
- Steering function also available without mini switch. For automatic return (servo-function, see instructions for IR control set): 1 x mini switch, Article No. 37783 is additionally required (not contained in set).
- Fonction de direction possible même sans contacteur. Pour la remise automatique au point zéro (fonction d'asservissement, voir notice IR-Control Set) 1x contacteur supplémentaire, N° d'art. 37783, est nécessaire (n'est pas contenu dans la fourniture).
- Stuurfunctie ook zonder knoppen mogelijk. Voor automatische instelling (bekerchtigingsfunctie, zie handleiding IR-Control Set) is 1x mini-knop, Art.-nr. 37783, extra noodzakelijk (niet in de verpakking inbegrepen).
- Es posible dirigir, incluso sin pulsador. Para el reajuste automático (servofunción, ver las instrucciones IR-Control Set) es necesario adicionalmente un minipulsador, art. nº 37783 (no contenido en el envase).
- A função de volante também é possível sem botão. Para a retrocolocação automática (com respeito à servo-função, vide o manual IR-Control Set) é necessário adicionalmente 1 vez um mini-botão, Nº do art. 37783, (não está contido na embalagem).

**Schaltplan**  
Circuit diagram  
Plan électrique

**Schakelschema**  
Diagrama de circuitos  
Plano elétrico de ligação



LKW-Basismodell  
Truck basic model  
Camion de base

Basismodell voor vrachtwagens  
Modelo básico del camión  
Caminhão-Modelo básico



**1**

- Red 1x3 Technic brick: 6 x
- Red 1x2 Technic brick: 2 x
- Red 1x5 Technic brick: 2 x
- Red 1x1 Technic brick: 2 x
- Red 1x2 Technic brick with hole: 15
- Black 1x2 Technic axle: 2 x
- Black 1x2 Technic axle with hole: 1 x

**2**

- Black 1x2 Technic axle: 2 x
- Red 1x3 Technic brick: 2 x
- Red 1x2 Technic brick: 2 x
- Red 1x2 Technic brick with hole: 2 x
- Red 1x1 Technic brick: 1 x
- Red 1x2 Technic brick: 2 x
- Red 1x2 Technic axle with hole: 1 x
- Black 1x2 Technic axle with hole: 1 x

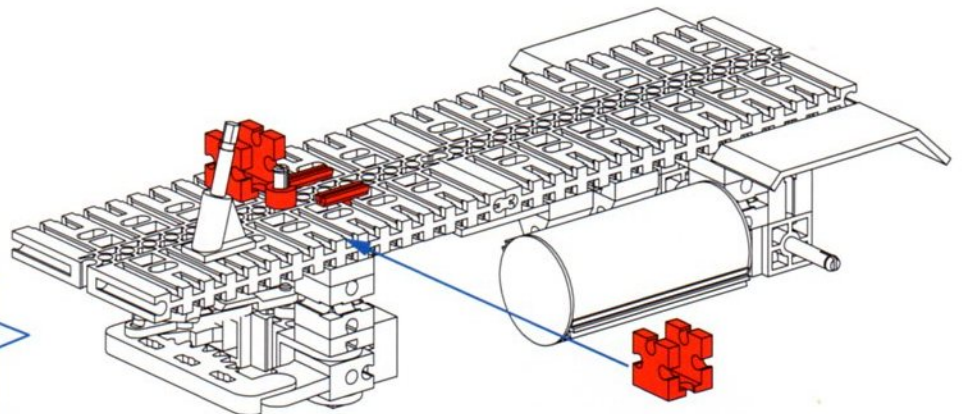
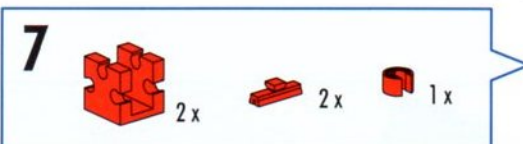
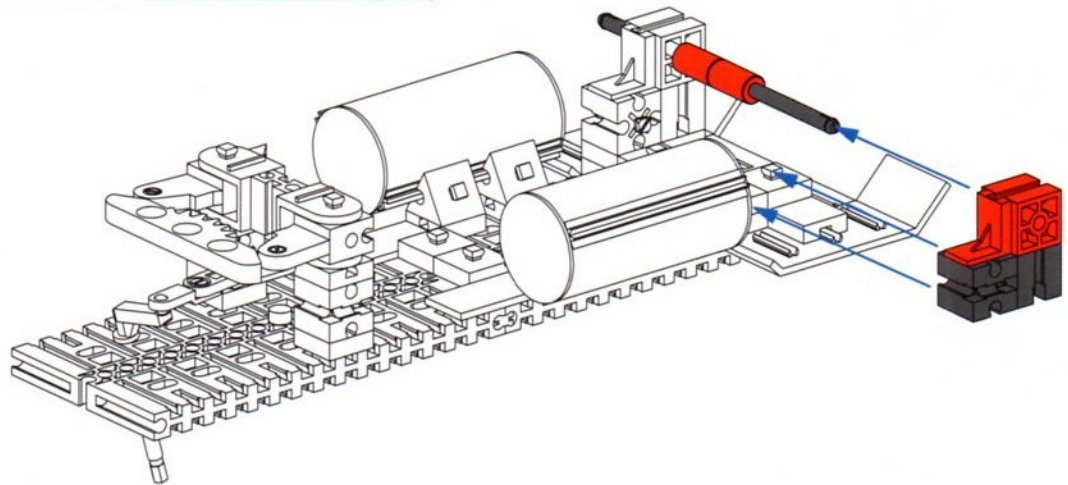
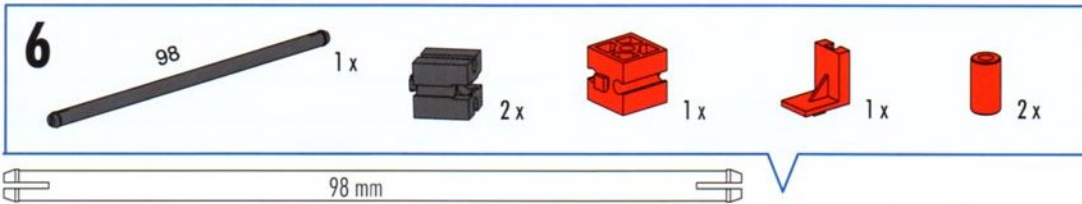
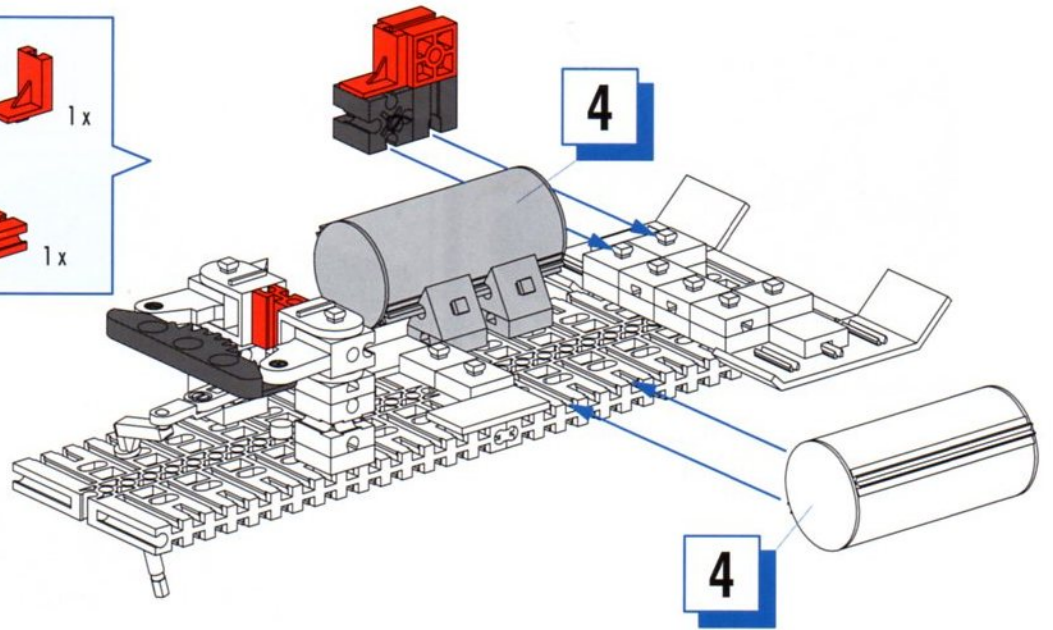
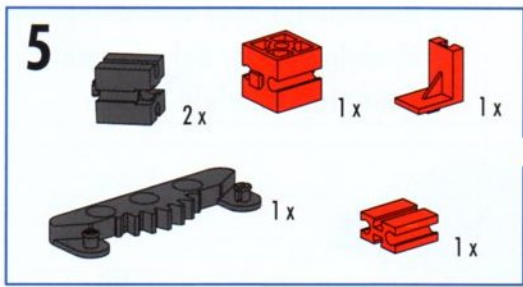
**3**

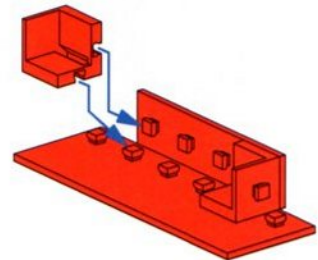
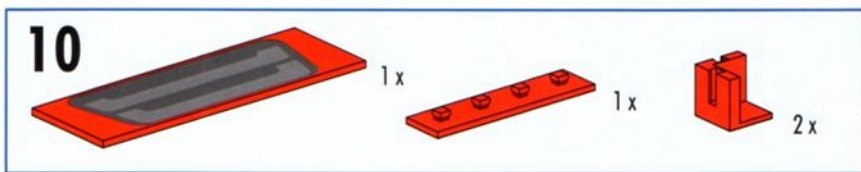
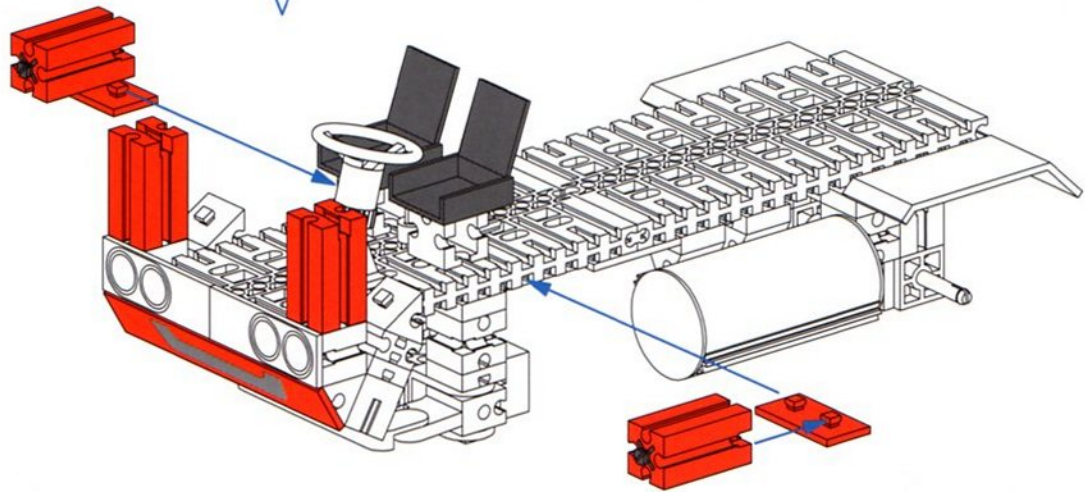
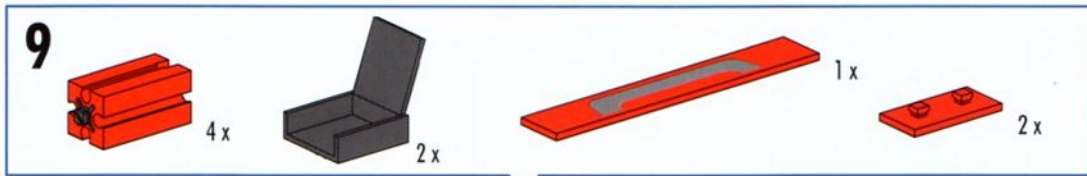
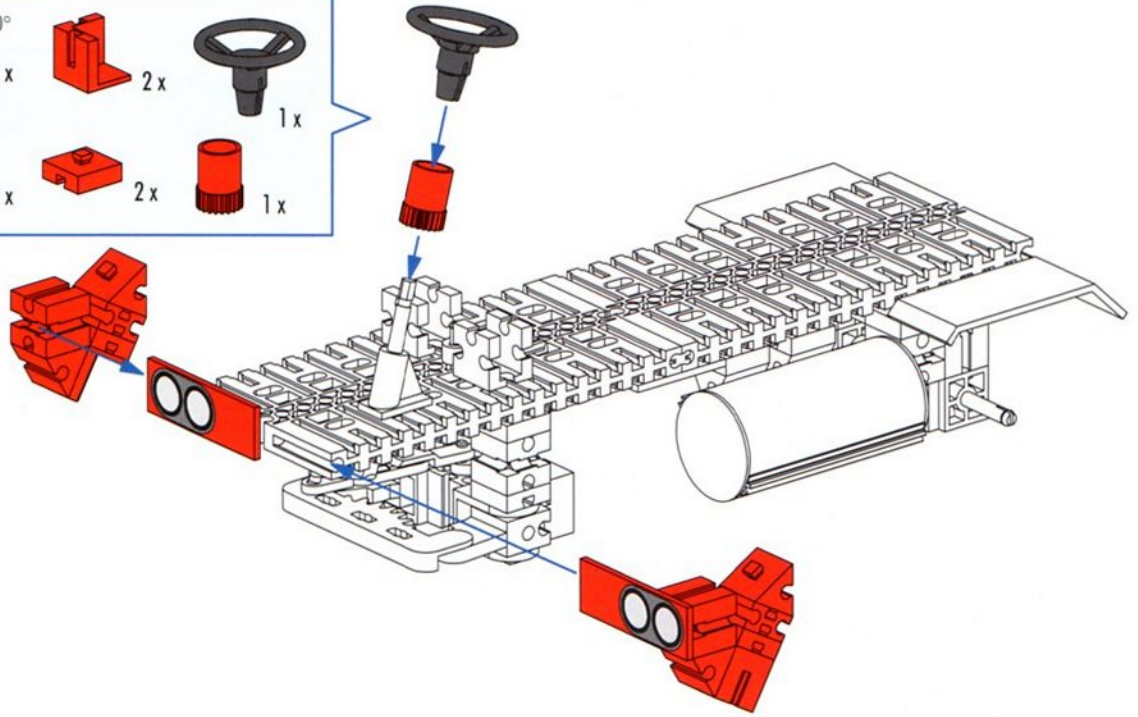
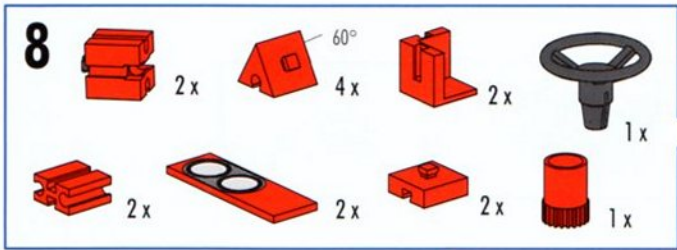
- Red 1x3 Technic brick with hole: 2 x
- Red 1x2 Technic brick: 6 x
- Red 1x2 Technic axle with hole: 1 x
- Red 1x2 Technic brick with hole: 2 x
- Red 1x5 Technic brick: 15
- Red 1x2 Technic axle with hole: 1 x
- Red 1x2 Technic axle with hole: 2 x

**2 x**

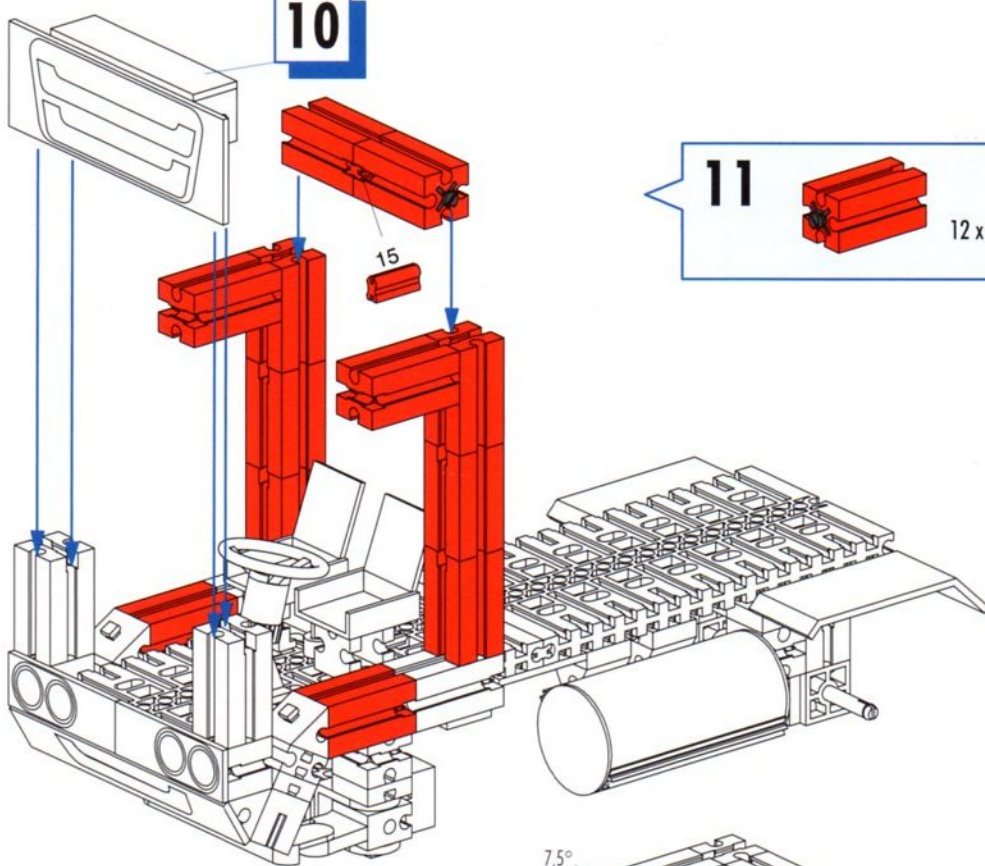
**4**

- Grey axle: 2 x
- Red 1x2 Technic axle with hole: 4 x
- Red 1x2 Technic axle with hole: 4 x





10



11

12 x    15    1 x

12

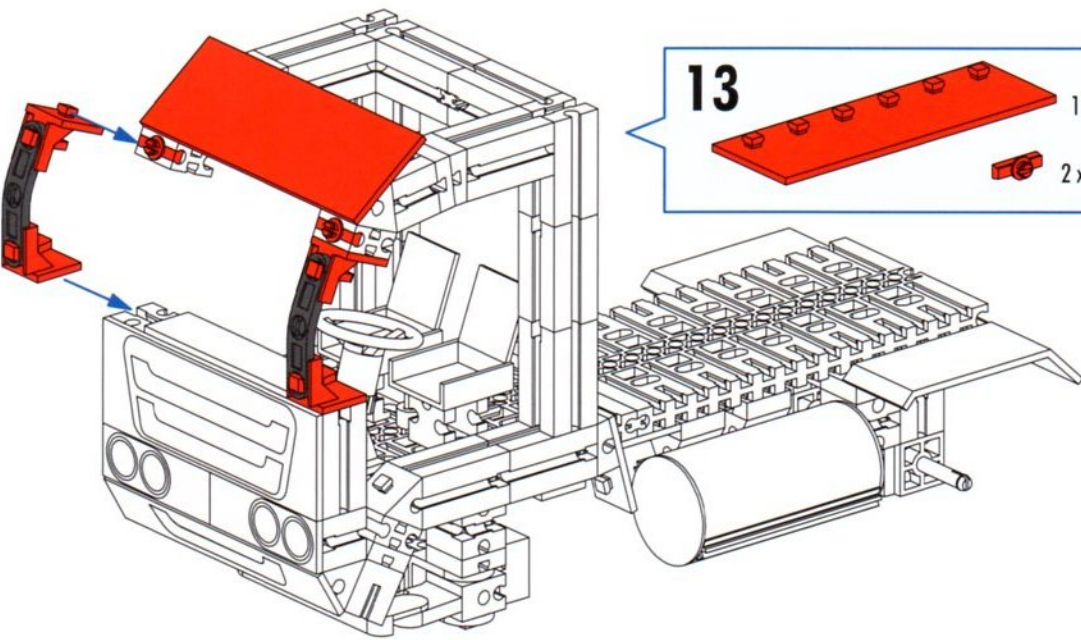
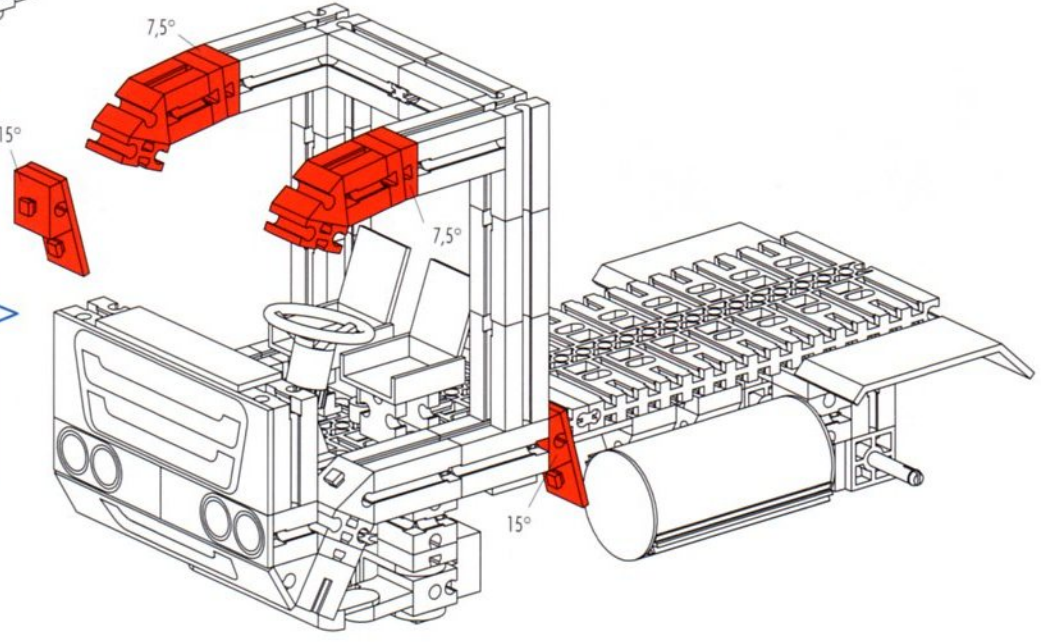
2 x    2 x

7,5°    15°

2 x    2 x

60°    2 x

2 x    2 x

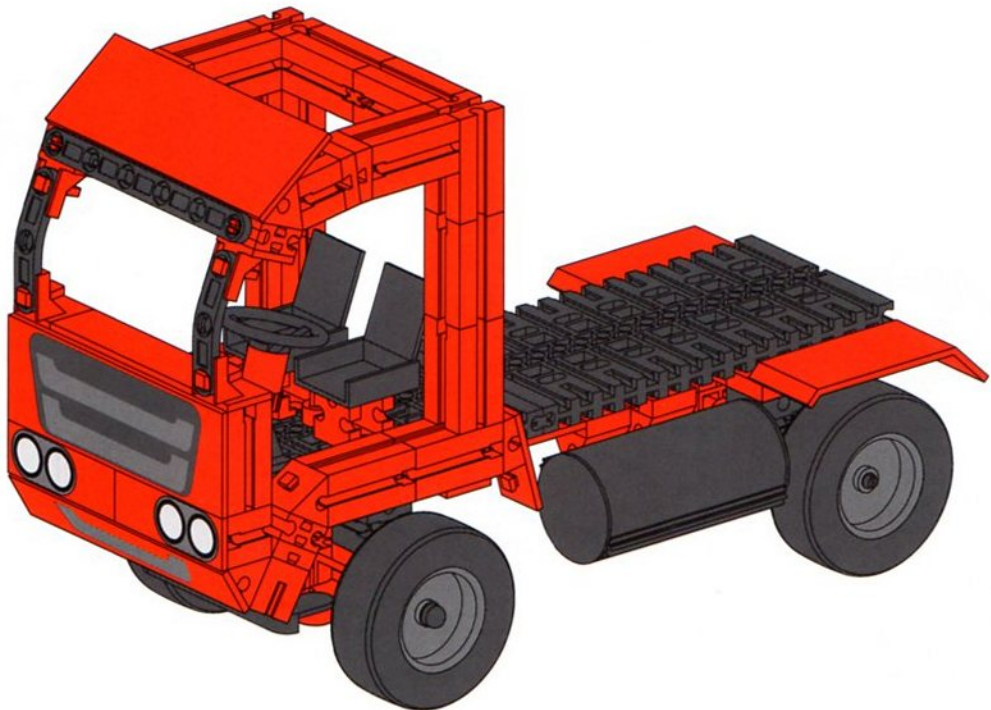
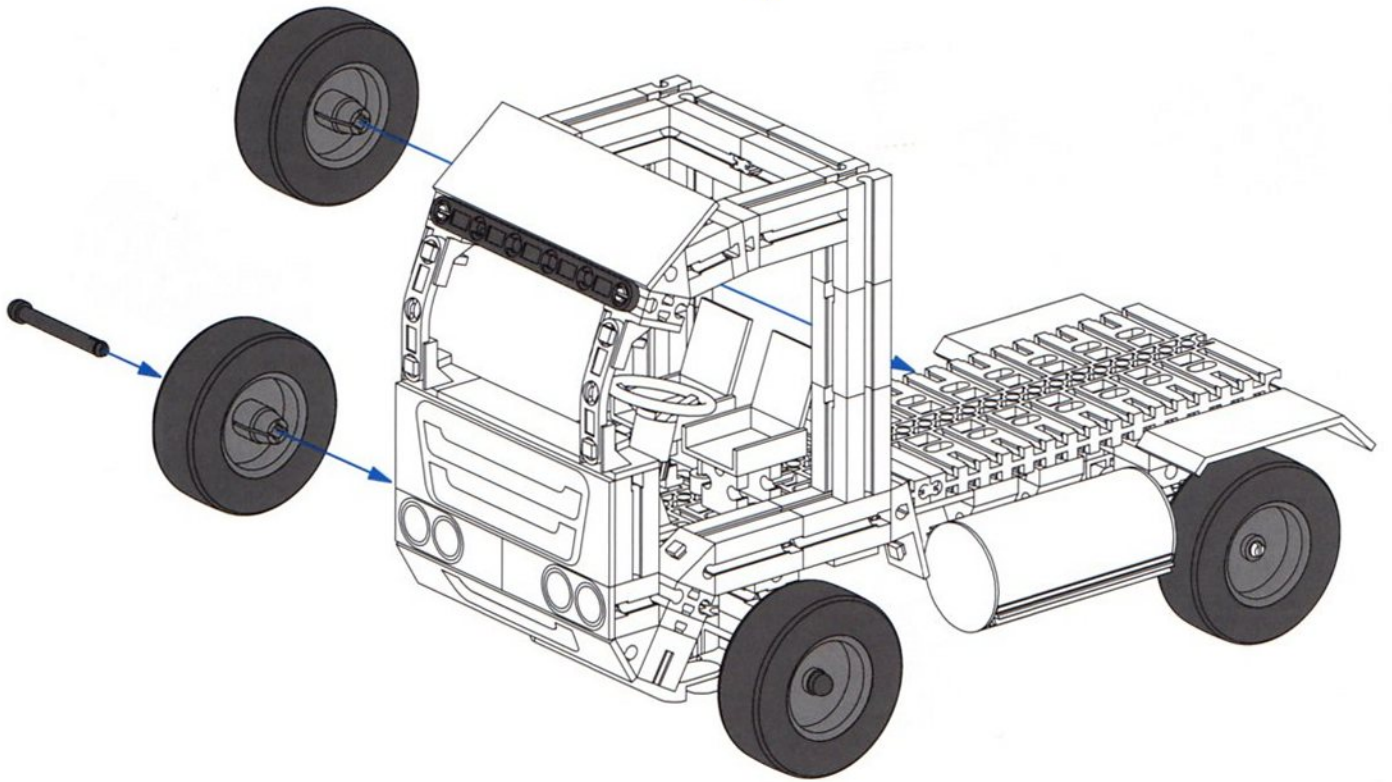
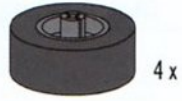


13

1 x    30    2 x

2 x    4    4 x

14



**Motorisierung und Fernsteuerung**  
**Motorization and remote control**  
**Motorisation et télécommande**

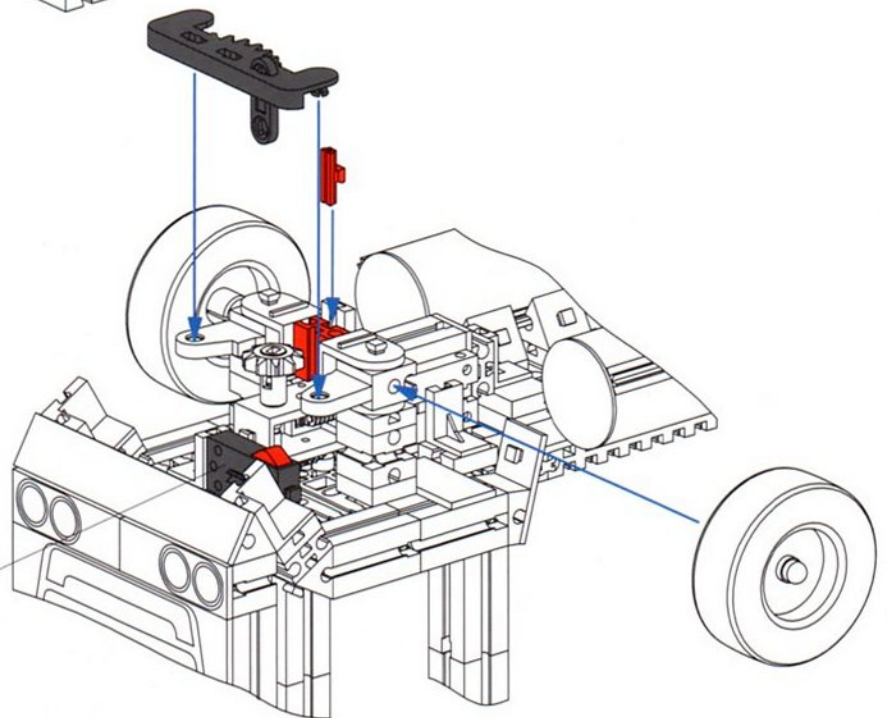
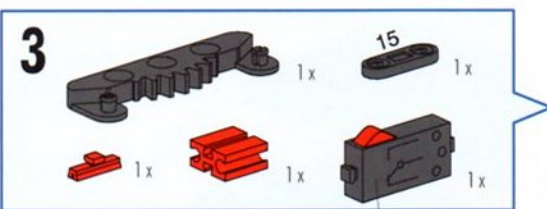
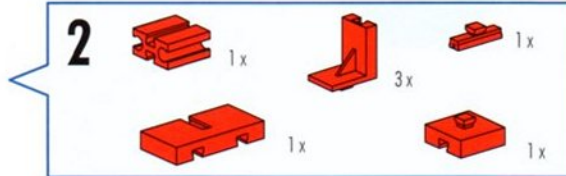
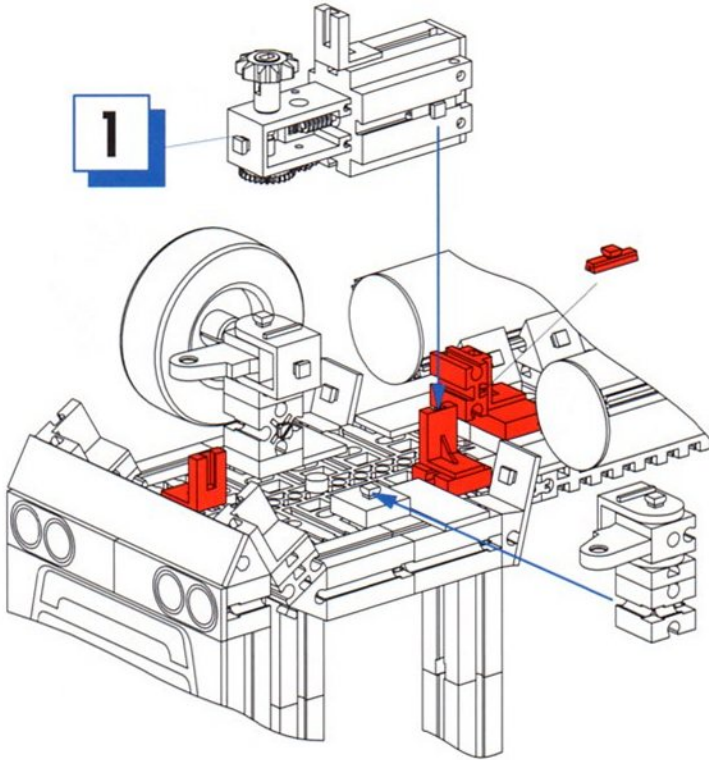
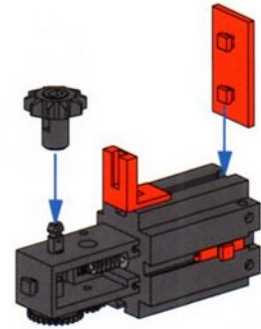
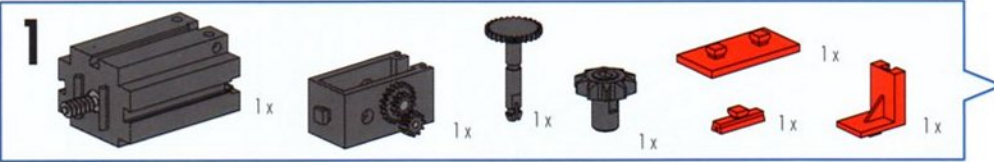
**Motorisering en afstandsbesturing**  
**Motorización y mando a distancia**  
**Motorização e telecomando**

Lenkung  
Control  
Guidage



Stuurinrichting  
Dirección  
Direção

Mini Motor  
Set  
30342



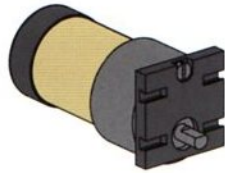
Servofunktion  
Track function  
Fonction direction assistée

Rupsfunktion  
Servofunción  
Servofunção

- Lenkfunktion auch ohne Taster möglich. Für automatische Rückstellung (Servofunktion, siehe Anleitung IR-Control Set) ist 1x Mini-Taster Art.-Nr. 37783 zusätzlich erforderlich (nicht Inhalt der Packung)
- Steering function also available without mini switch. For automatic return (servo-function, see instructions for IR control set): 1 x mini switch, Article No. 37783 is additionally required (not contained in set).
- Fonction de direction possible même sans contacteur. Pour la remise automatique au point zéro (fonction d'asservissement, voir notice IR-Control Set) 1x contacteur supplémentaire, N° d'art. 37783, est nécessaire (n'est pas contenu dans la fourniture).
- Stuurfunctie ook zonder knoppen mogelijk. Voor automatische instelling (bekerchtigingsfunctie, zie handleiding IR-Control Set) is 1x mini-knop, Art.-nr. 37783, extra noodzakelijk (niet in de verpakking inbegrepen).
- Es posible dirigir, incluso sin pulsador. Para el reajuste automático (servofunción, ver las instrucciones IR-Control Set) es necesario adicionalmente un minipulsador, art. nº 37783 (no contenido en el envase).
- A função de volante também é possível sem botão. Para a retrocolocação automática (com respeito à servo-função, vide o manual IR-Control Set) é necessário adicionalmente 1 vez um mini-botão, N° do art. 37783, (não está contido na embalagem).

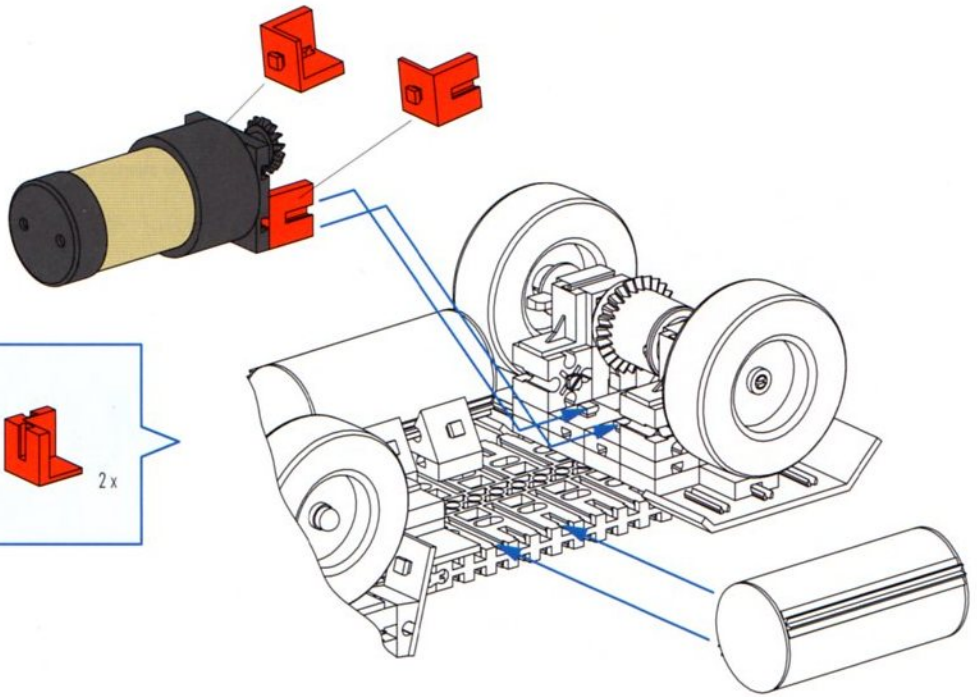
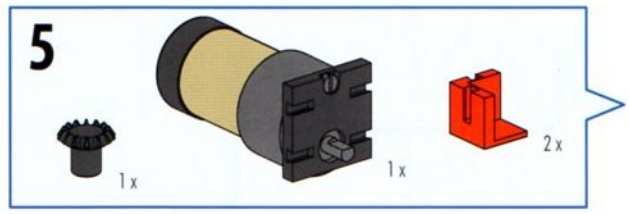
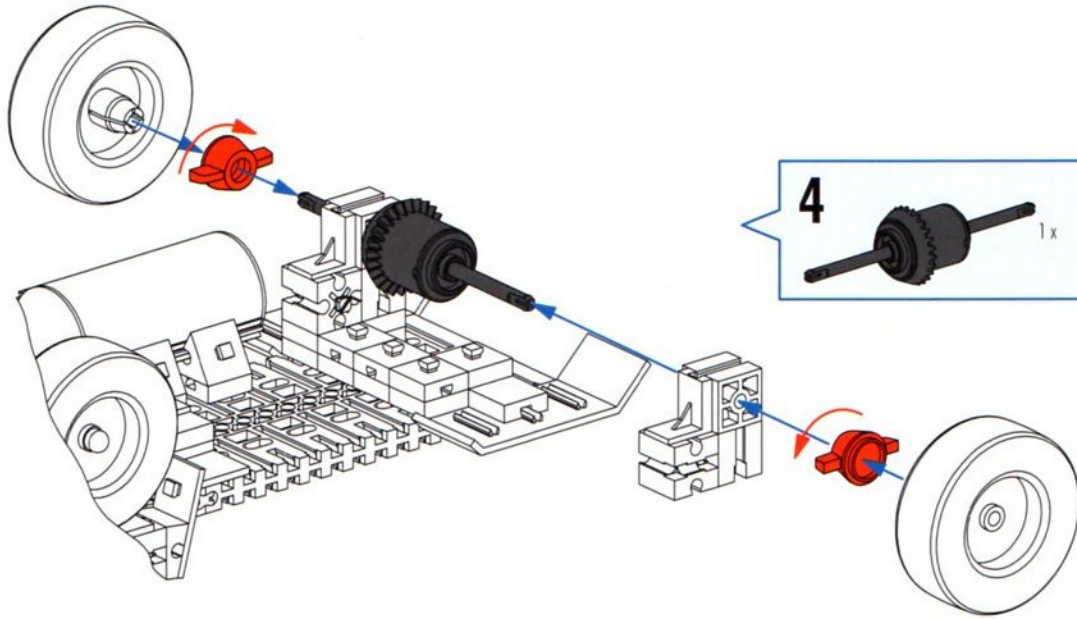


Radantrieb  
Wheel drive  
Entraînement de roue



Wiel aandrijving  
Accionamiento por ruedas  
Tracção às rodas

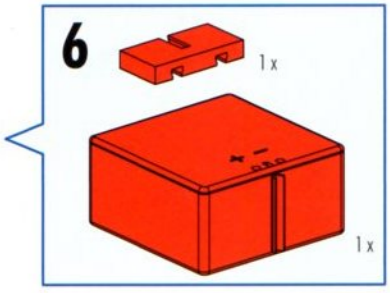
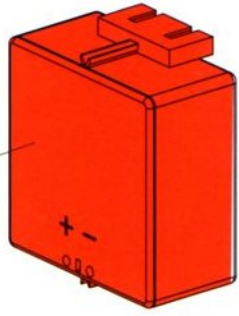
Power Motor  
Set  
34965

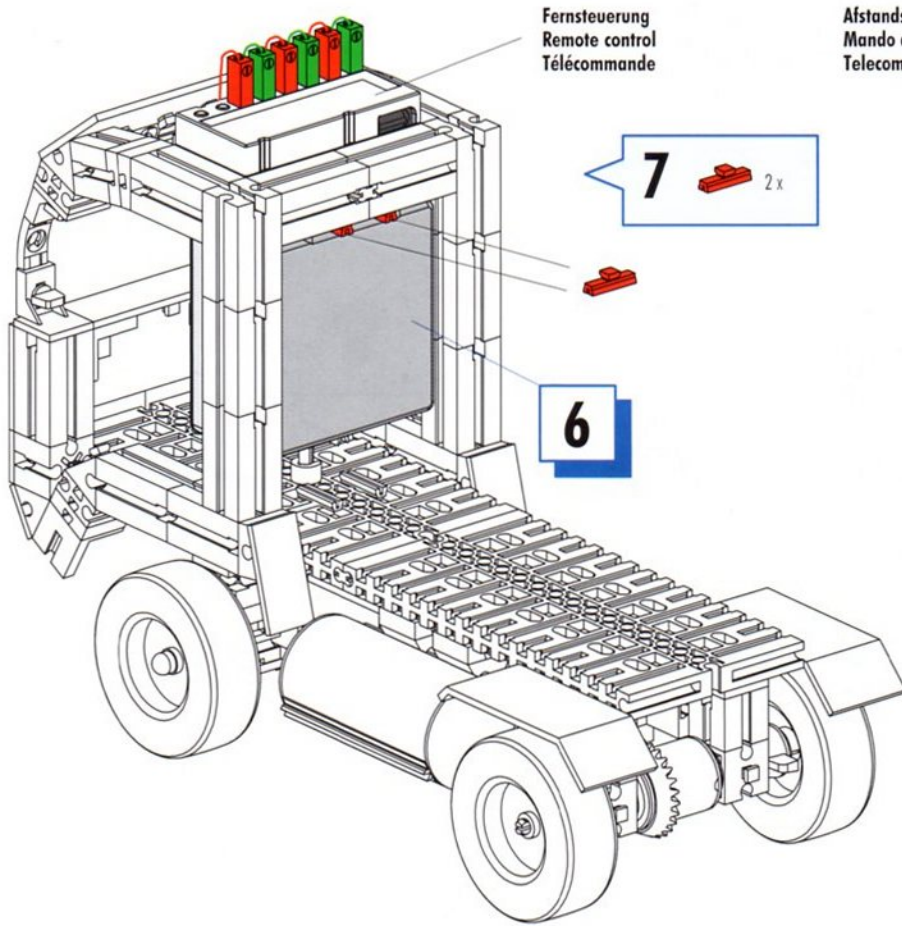


Accu  
Set  
34969

Stromversorgung  
Power supply  
Alimentation électrique

Stroomvoorziening  
Alimentación de corriente  
Alimentação elétrica





Fernsteuerung  
Remote control  
Télécommande

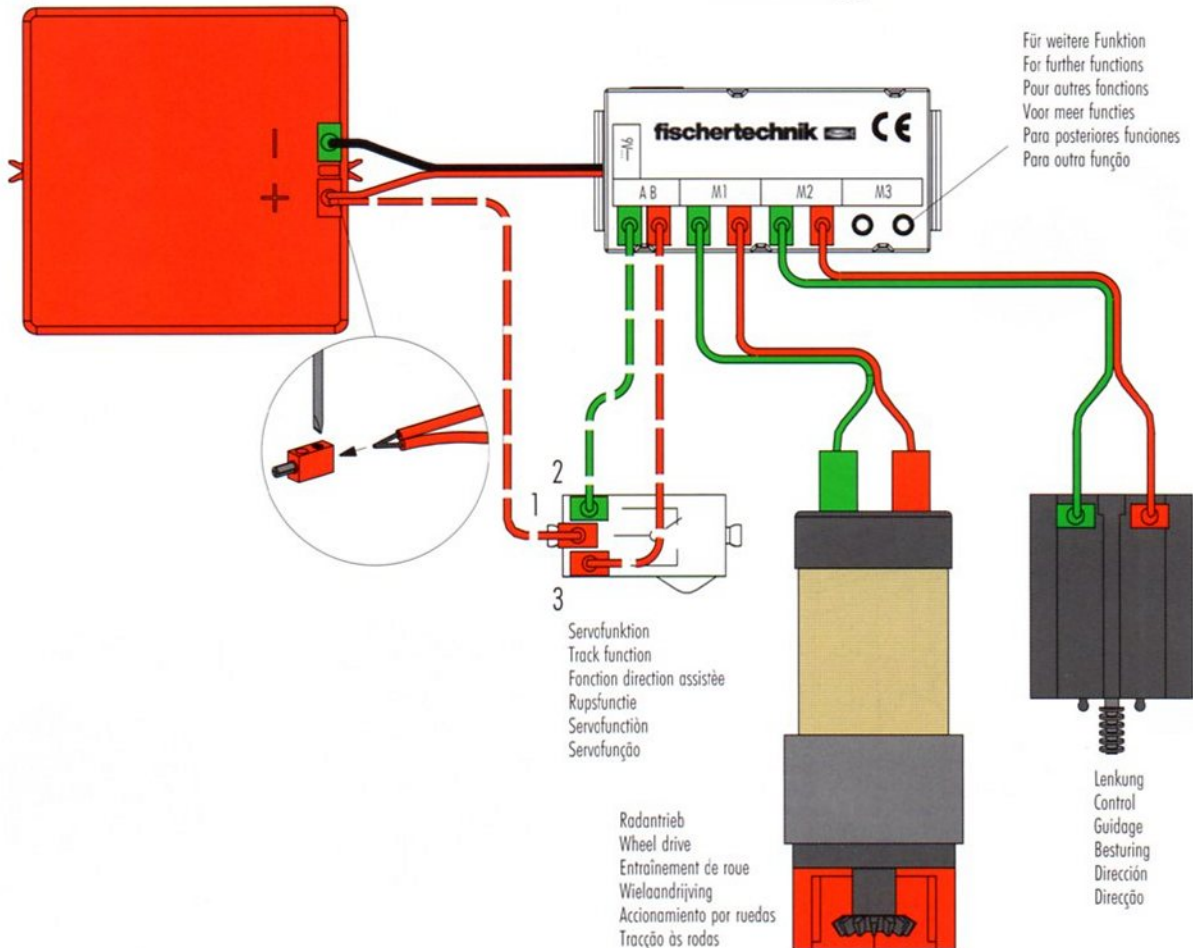
Afstandsbesturing  
Mando a distancia  
Telecomando

7  2x

6

Schaltplan  
Circuit diagram  
Plan électrique

Schakelschema  
Diagrama de circuitos  
Plano elétrico de ligação



Für weitere Funktion  
For further functions  
Pour autres fonctions  
Voor meer functies  
Para posteriores funciones  
Para outra função

Servofunktion  
Track function  
Fonction direction assistée  
Rupsfunctie  
Servofunción  
Servofunção

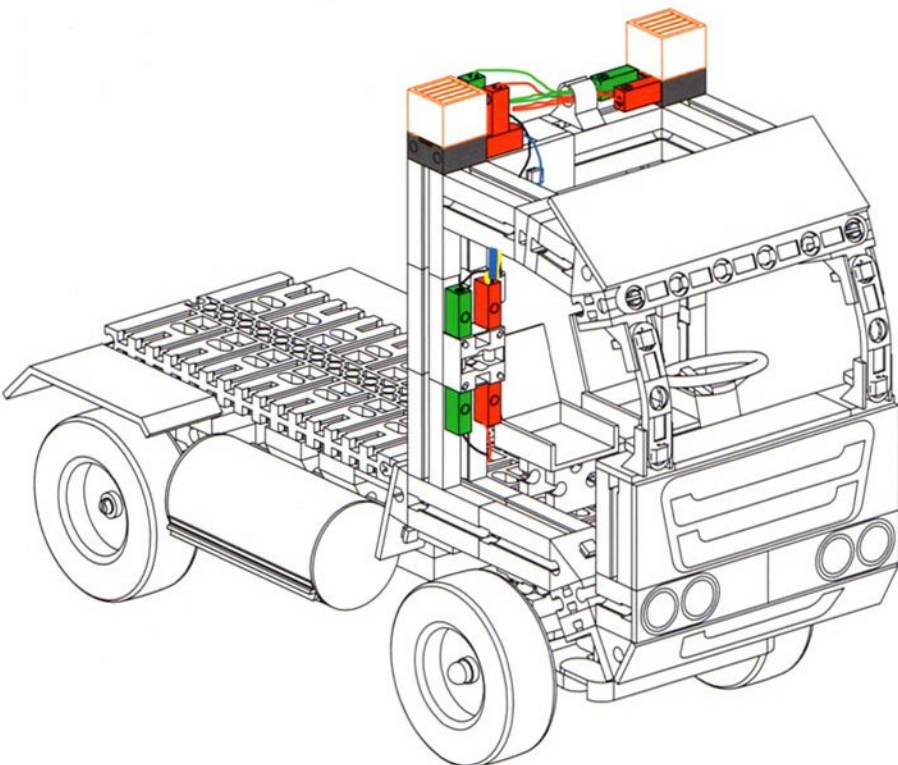
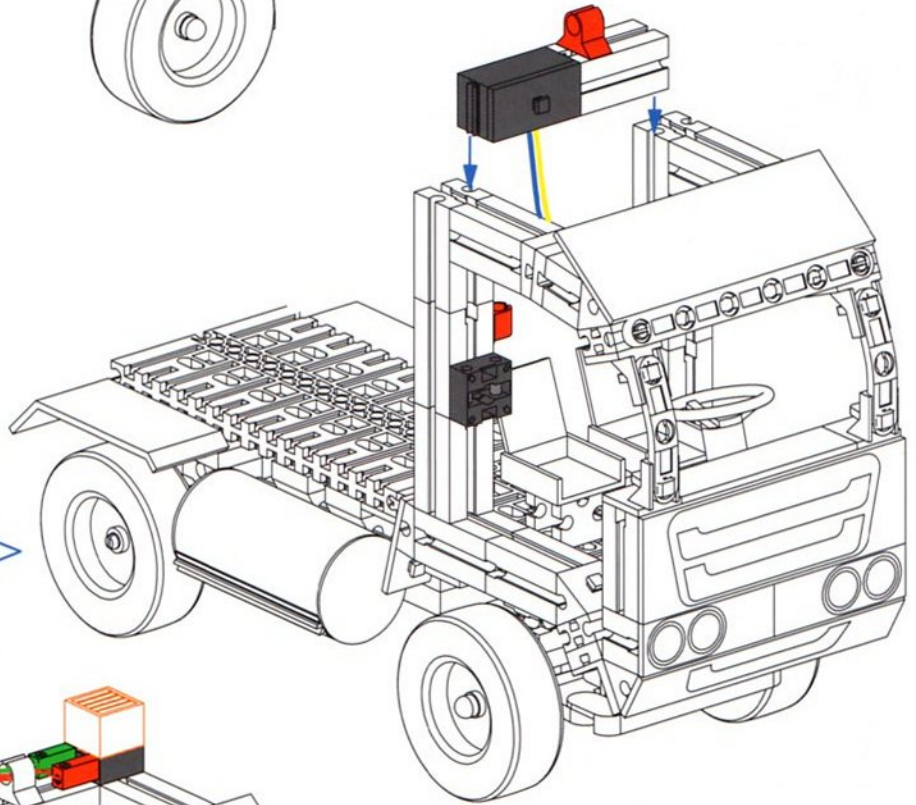
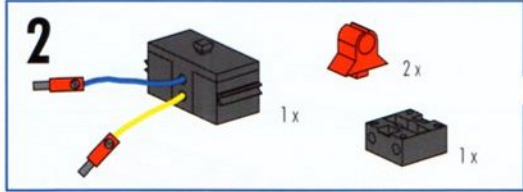
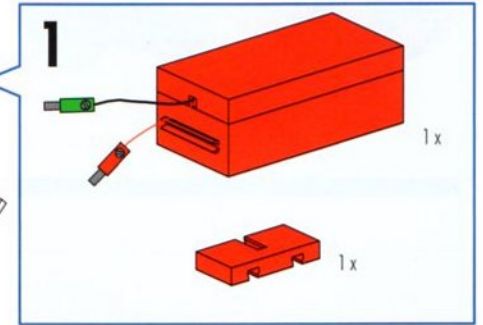
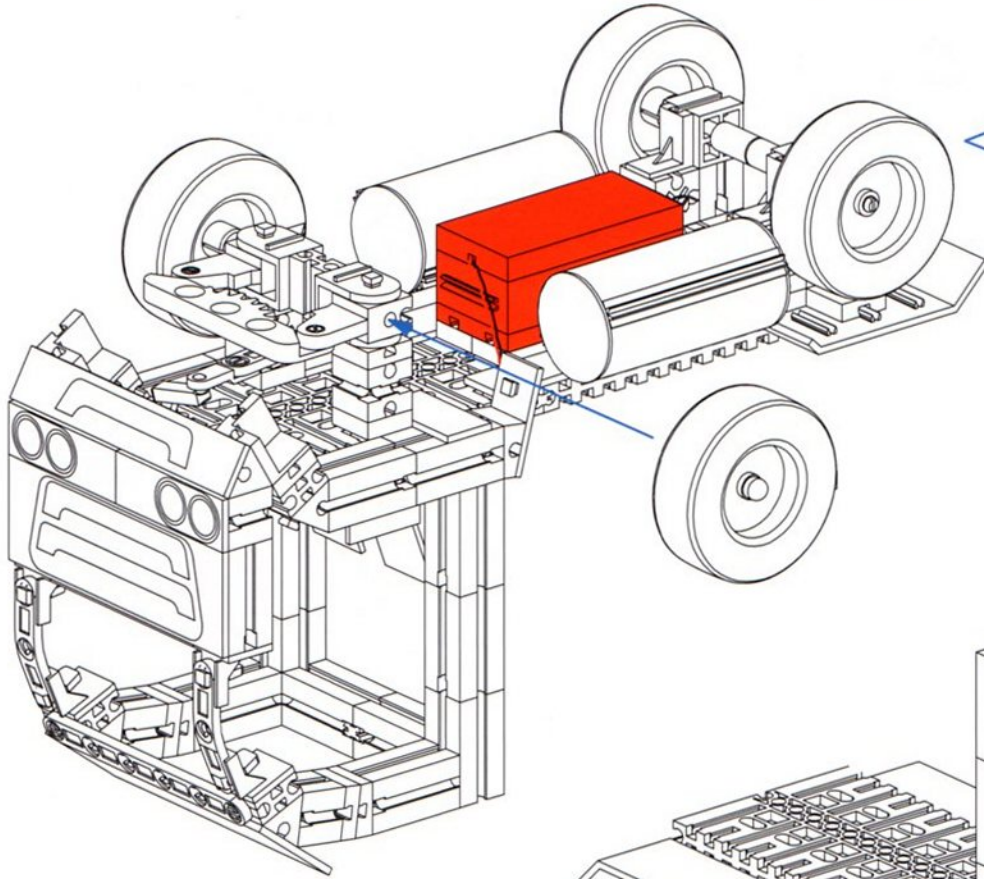
Radantrieb  
Wheel drive  
Entrainement de roue  
Wiel aandrijving  
Accionamiento por ruedas  
Tração às rodas

Lenkung  
Control  
Guidage  
Besturing  
Dirección  
Direção

Blinklichter  
Flashing lights  
Feux clignotants

Knipperlichten  
Luces intermitentes  
Luzes pisca-pisca

Lights  
34970





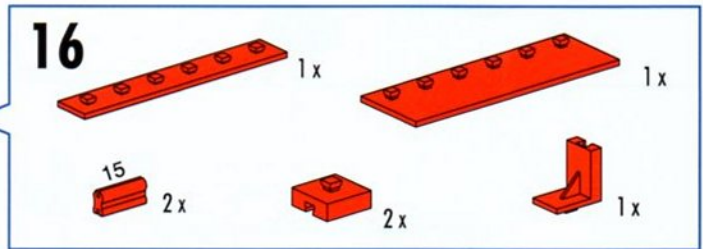
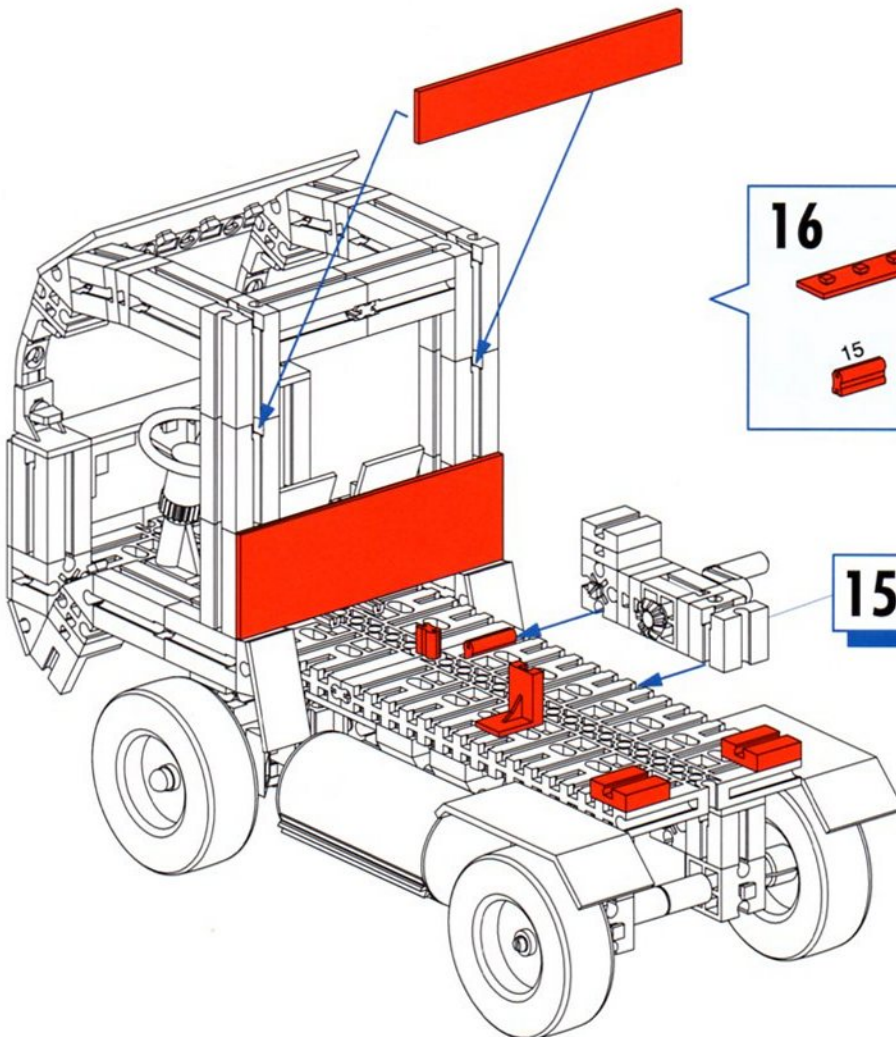
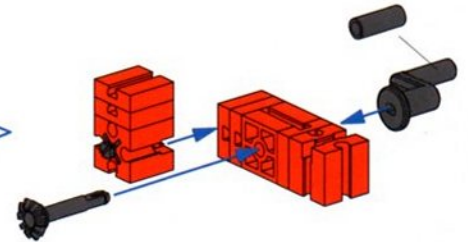
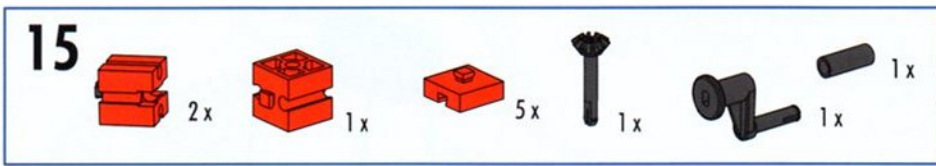
**Kipper**  
**Kipper truck**  
**Benne basculante**

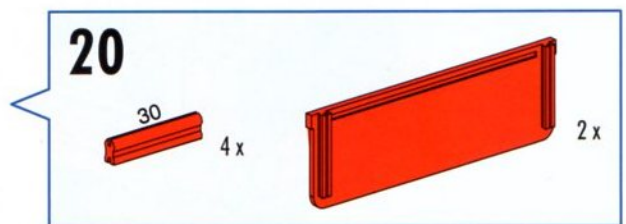
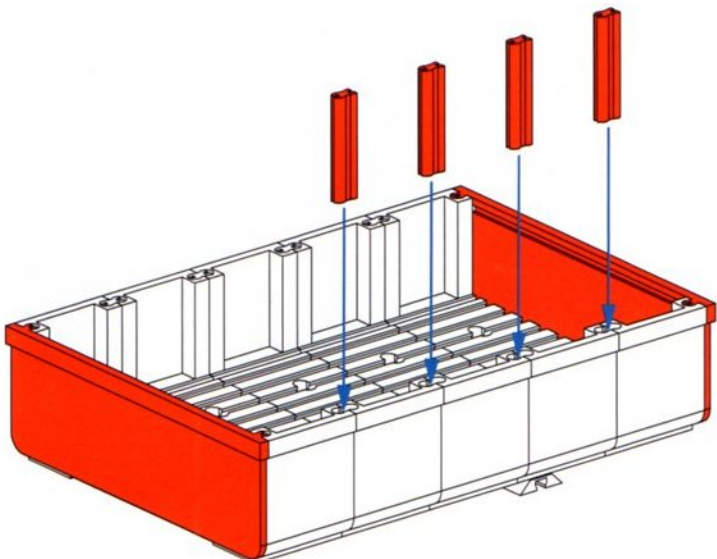
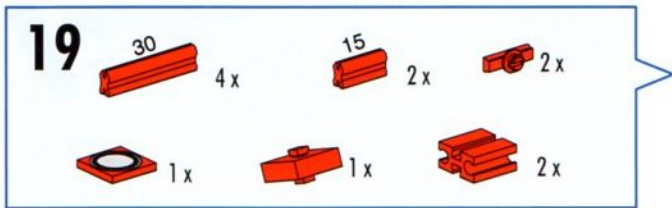
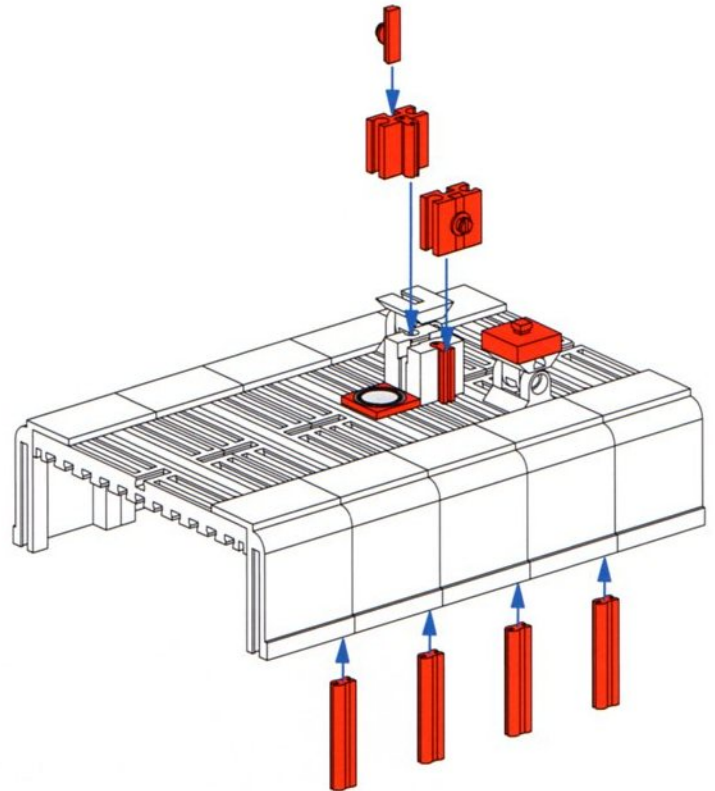
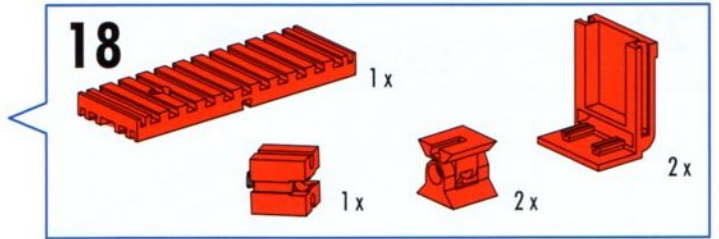
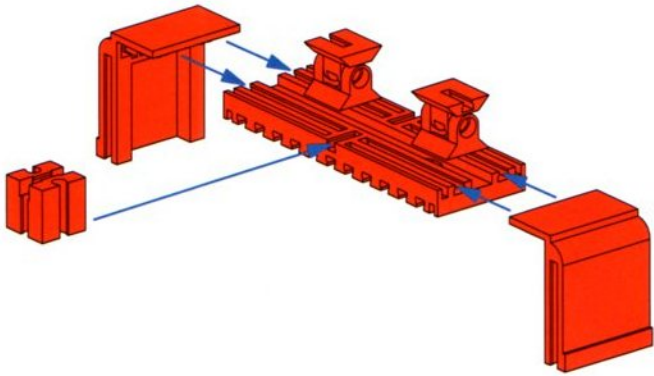
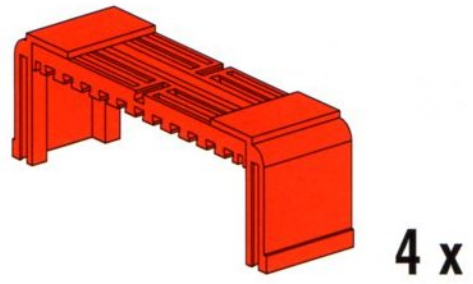
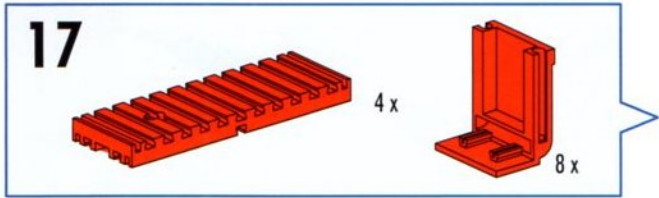
**Kiepwagen**  
**Camión volquete**  
**Caminhão com caçamba basculante**

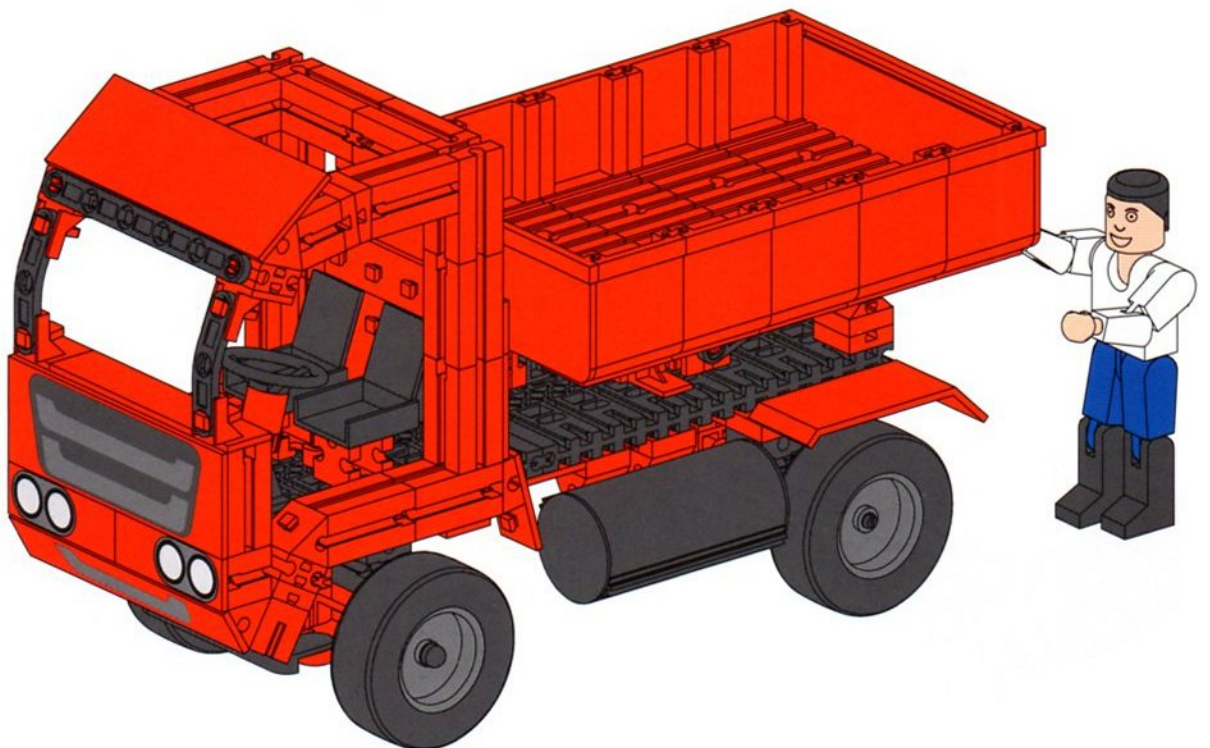
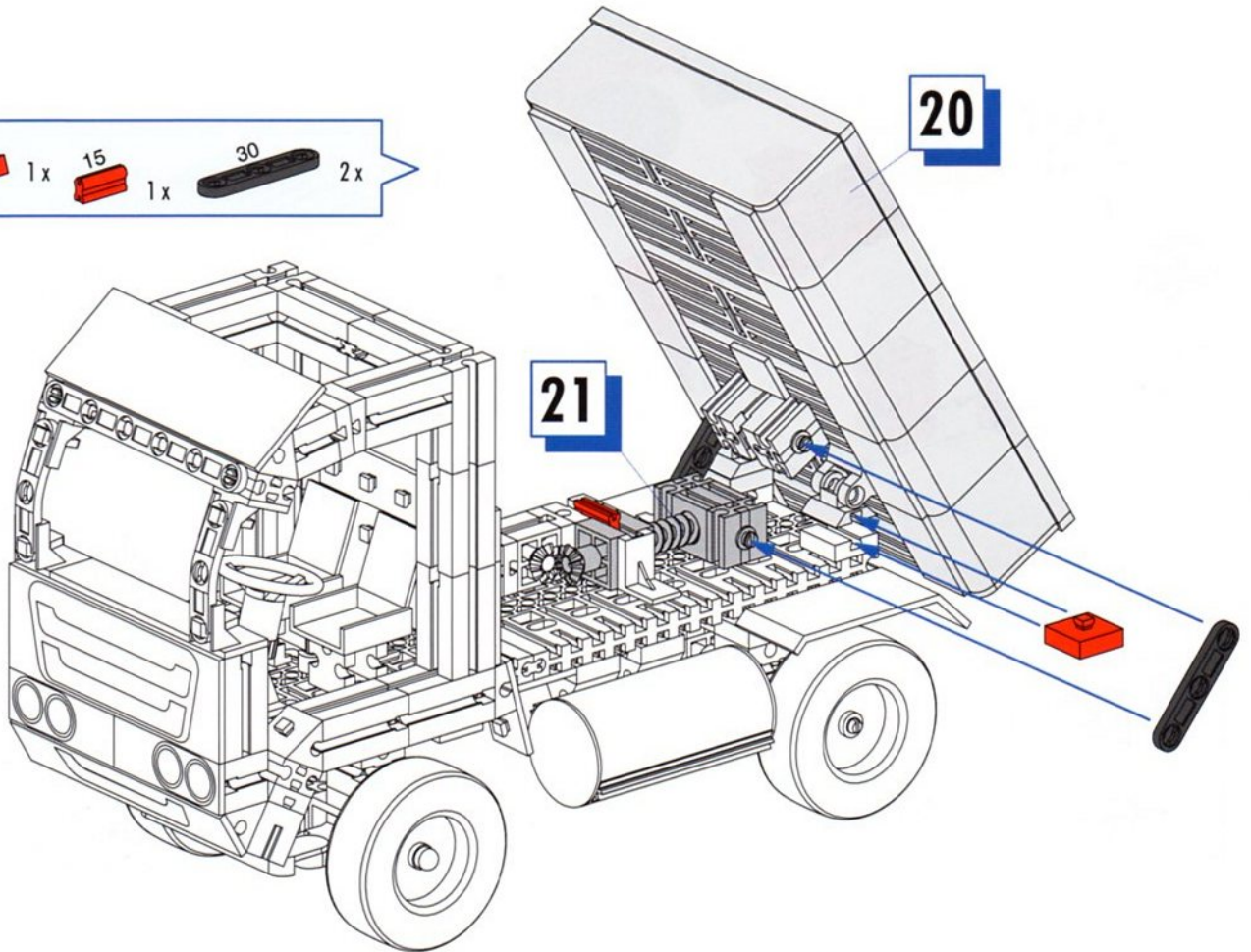
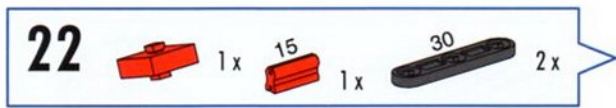
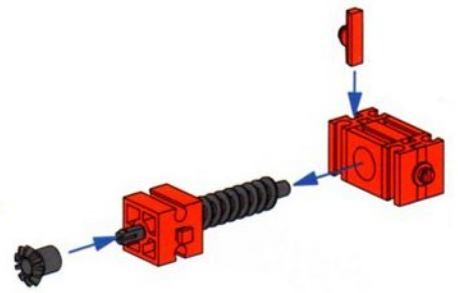


**1-14**

Seite ..... 41  
 Page ..... 41  
 Page ..... 41  
 Bladzijde ... 41  
 Página ..... 41  
 Pagina ..... 41





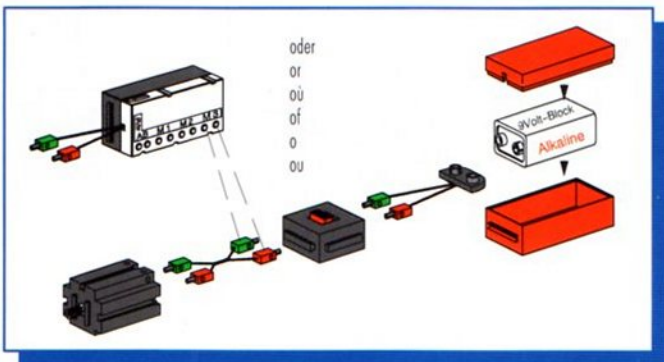
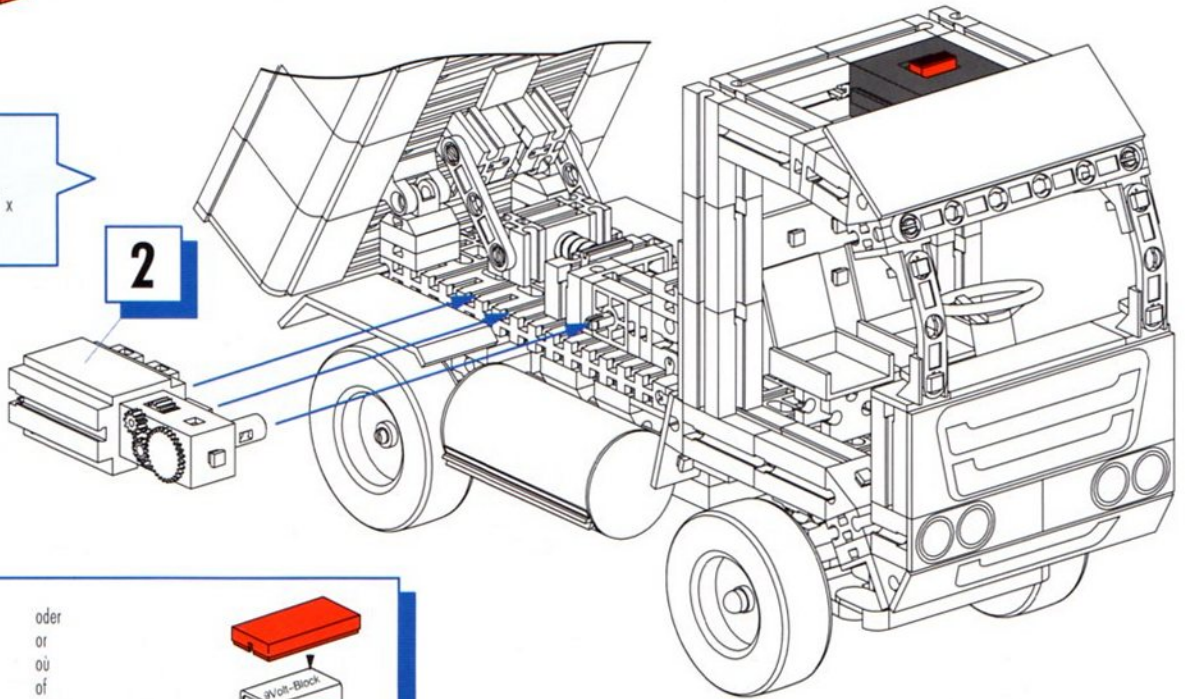
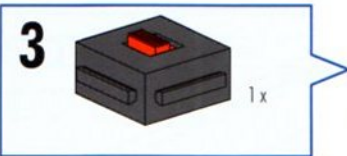
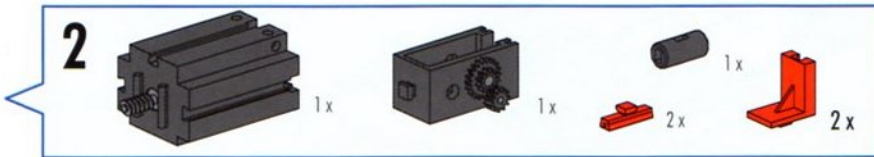
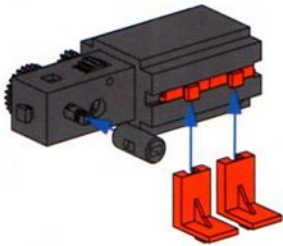
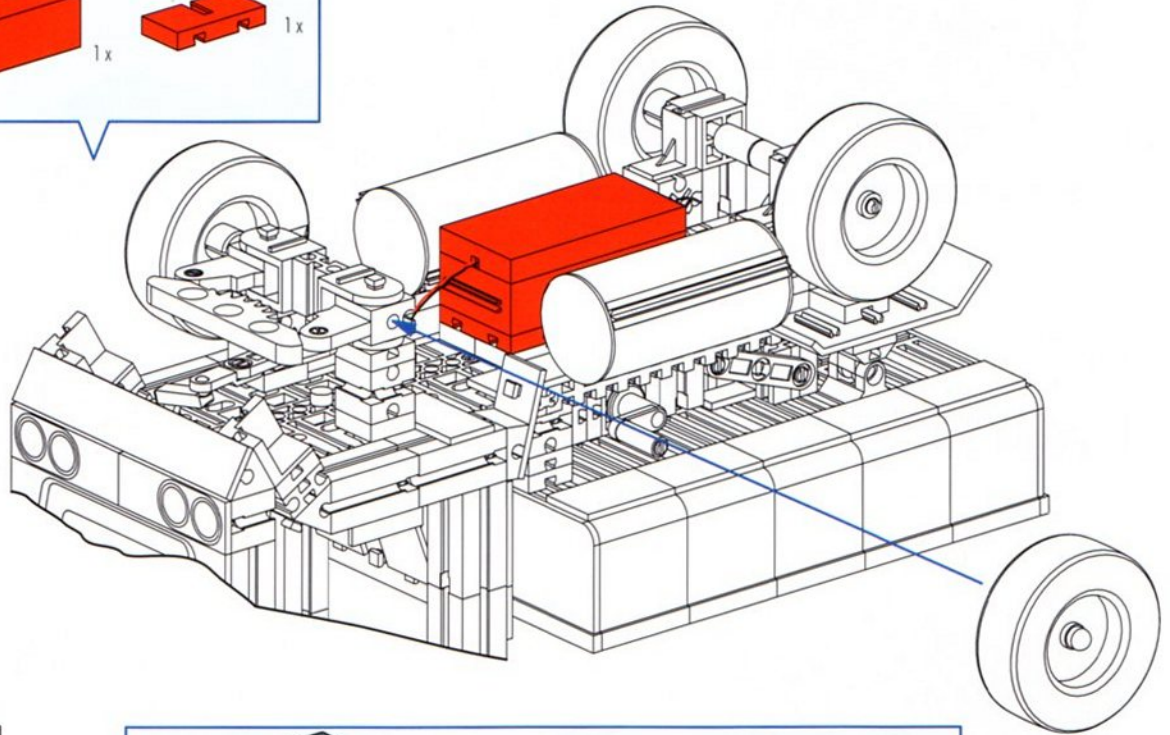
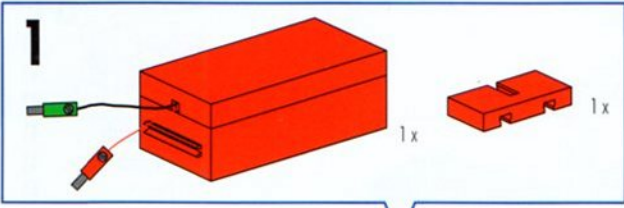


Motorisierung Kipper  
 Motor unit Kipper truck  
 Motorisation Benne basculante



Motorisering Kiepwagen  
 Motorización Camión volquete  
 Motorização Caminhão com caçamba basculante

Mini Motor  
 Set  
 30342



Lenkung, Fernsteuerung und Blinklichter siehe Seite 46-49  
 Control, remote control and flashing lights, see page 47-50  
 Guidage, télécommande et feux clignotants : voir page 47-50  
 Besturing, afstandsbesturing en knipperlichten zie pagina 47-50  
 Dirección, mando a distancia y luces intermitentes, ver pág. 47-50  
 Direcção, telecomando e luzes pisca-pisca, vide página 47-50

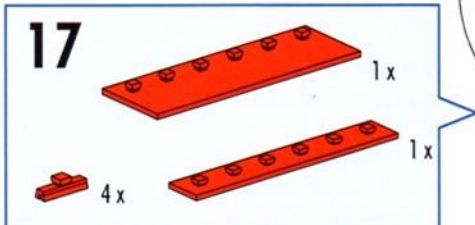
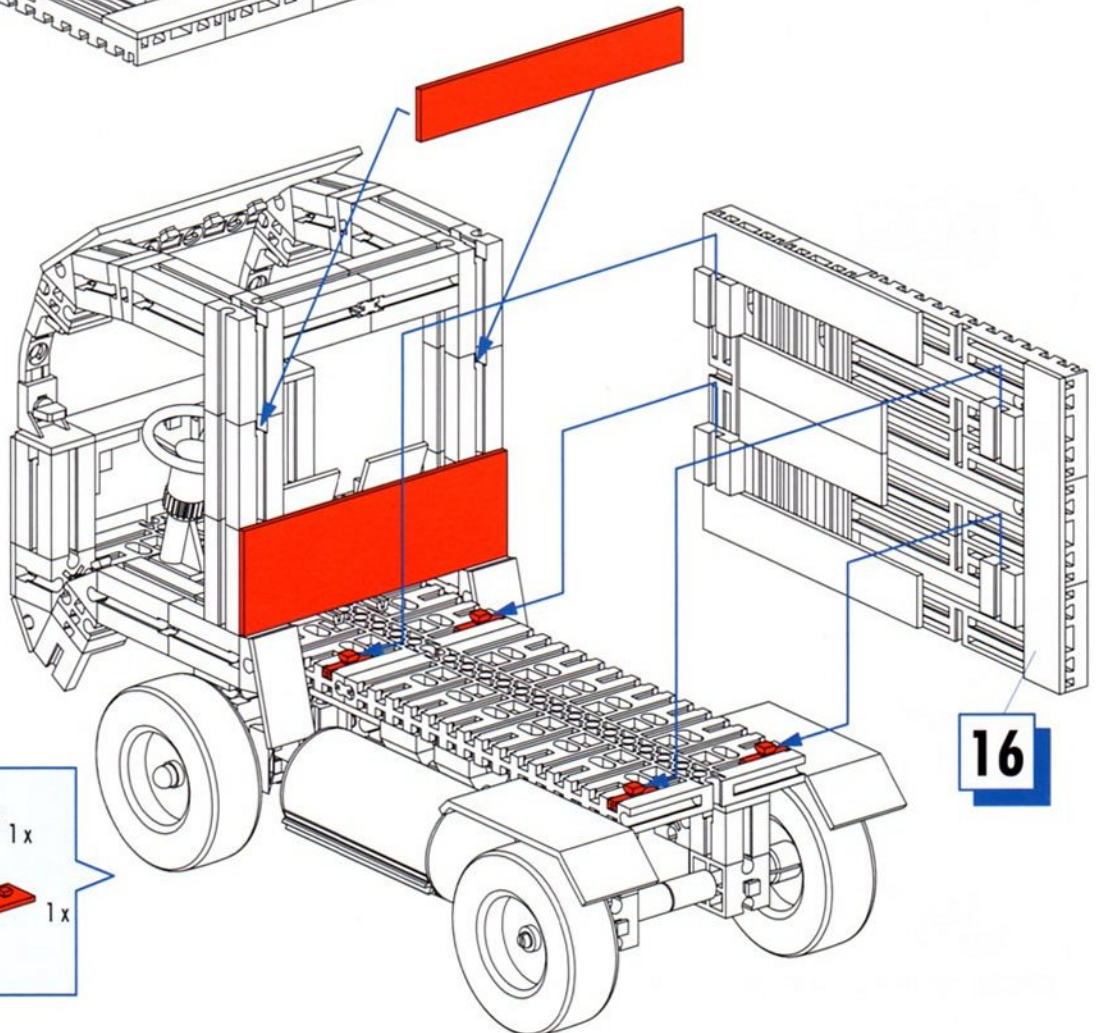
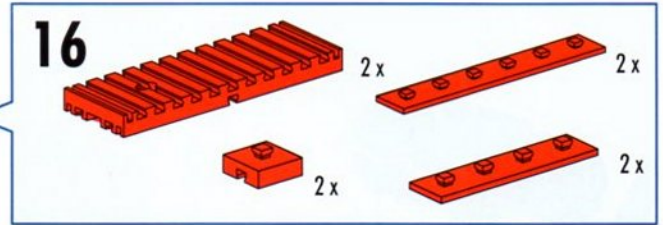
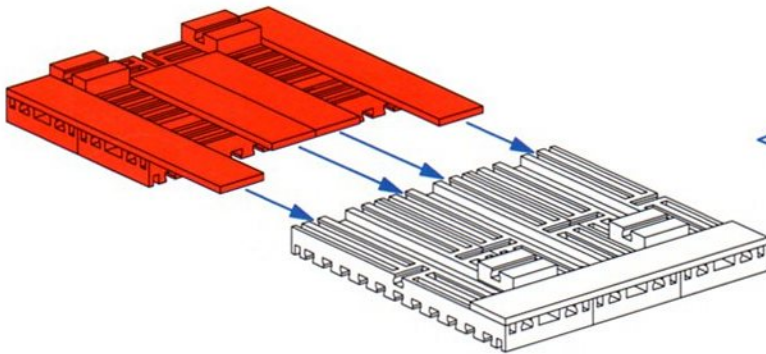
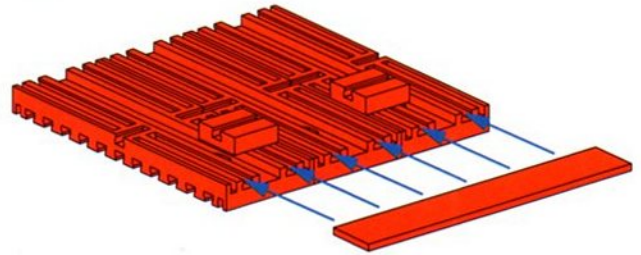
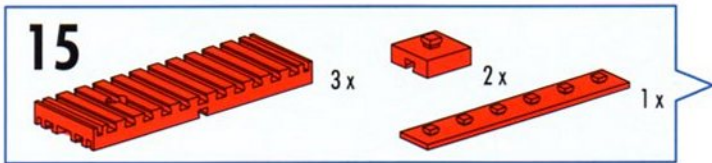
LKW mit Ladekran  
 Truck with lifting crane  
 Camion avec grue de  
 chargement

Vrachtwagen met laad- en loskraan  
 Camión con grúa de carga  
 Caminhão com guincho de  
 carregamento



1-14

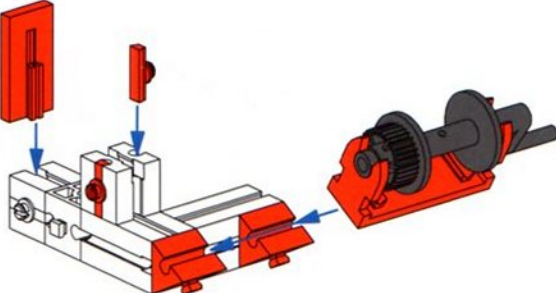
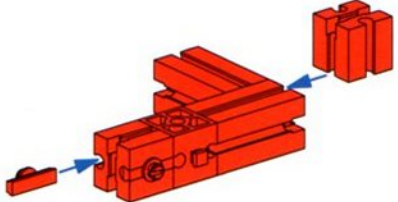
Seite . . . . . 41  
 Page . . . . . 41  
 Page . . . . . 41  
 Bladzijde . . . 41  
 Página . . . . . 41  
 Pagina . . . . . 41





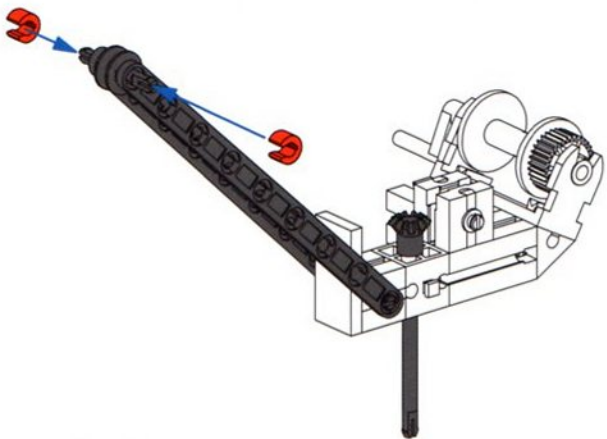
**18**

2x 2x 1x 2x



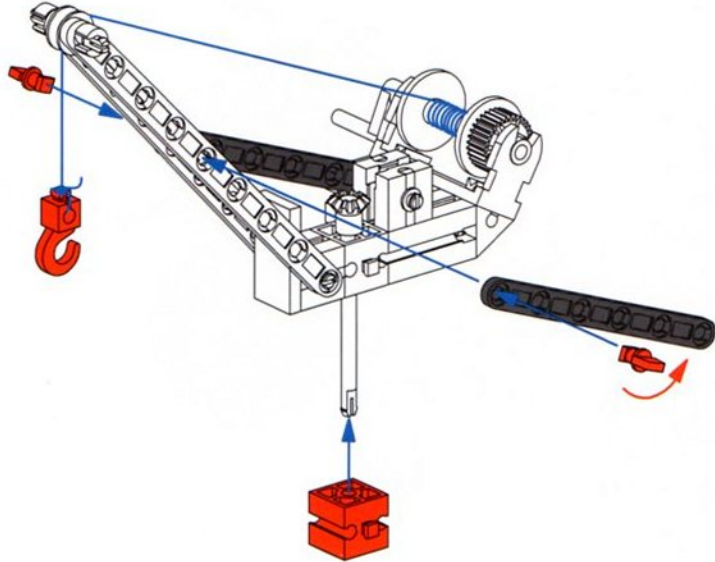
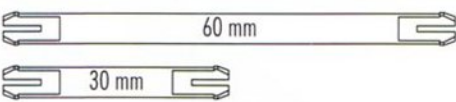
**19**

60° 2x 1x 2x 1x



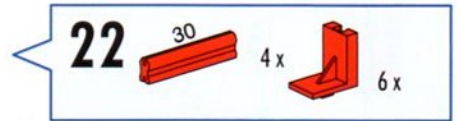
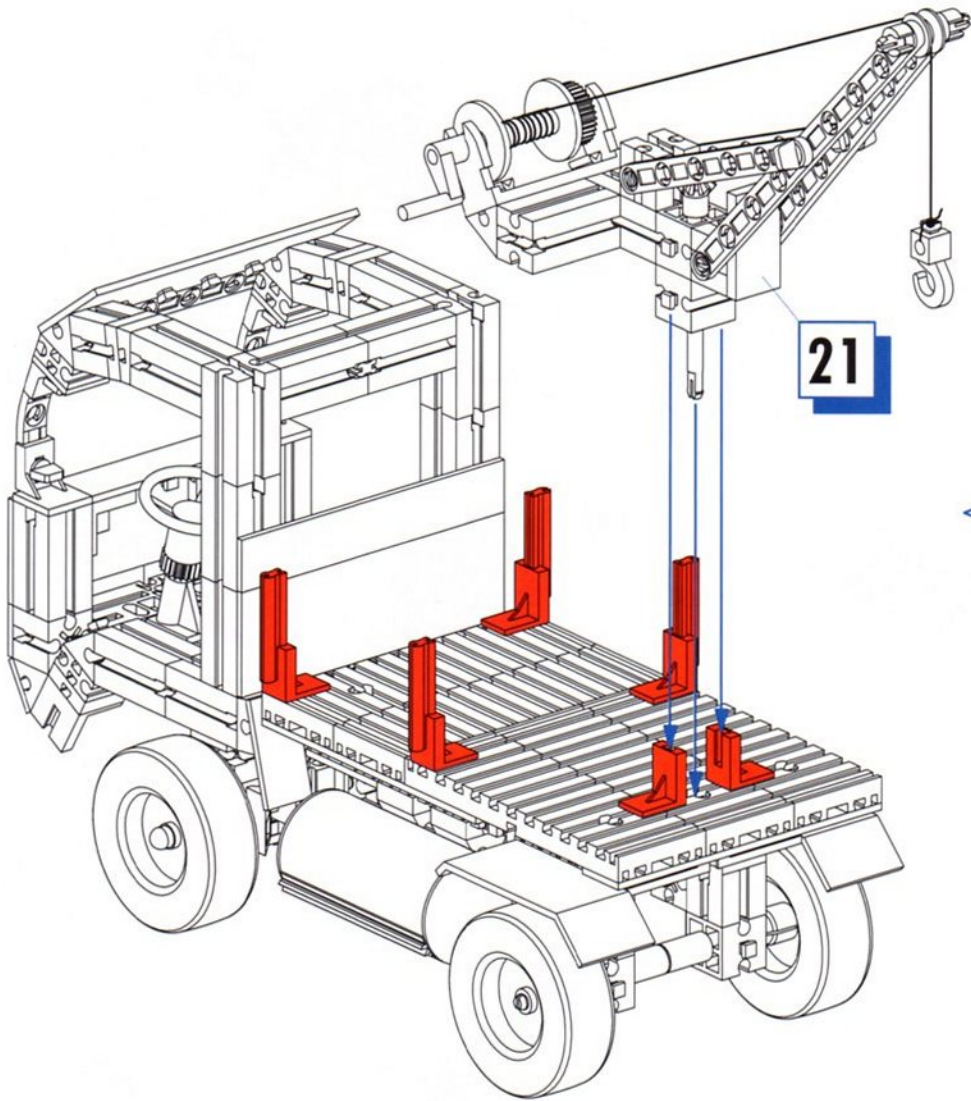
**20**

120 2x 2x 1x 60 1x 30 1x 1x 1x



**21**

75 2x 1x 4 2x 1x








Abschleppwagen  
Tow truck  
Dépanneuse

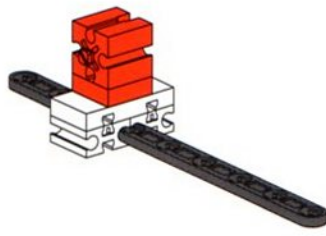
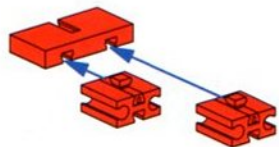
Kraanwagen  
Coche-grúa  
Carro reboque



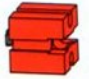
1-14



Seite . . . . . 41  
Page . . . . . 41  
Page . . . . . 41  
Bladzijde . . . 41  
Página . . . . . 41  
Pagina . . . . . 41

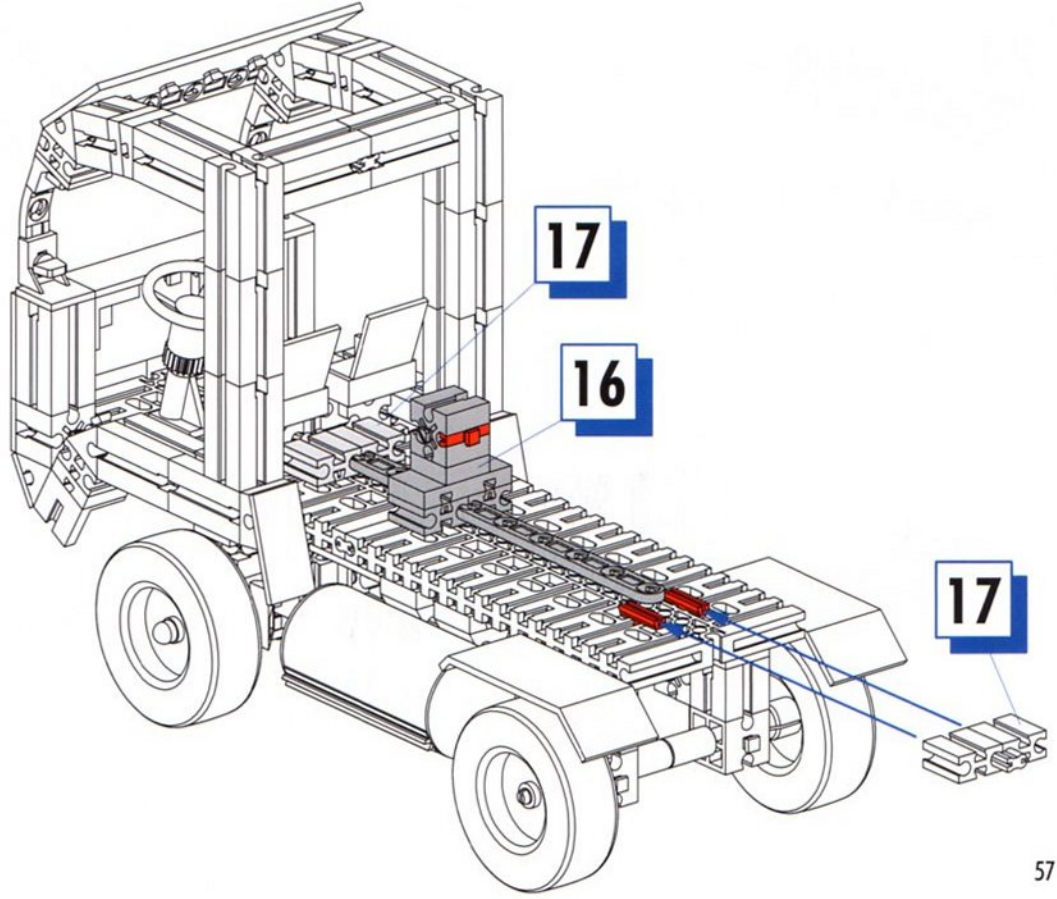



**15**  2x  2x  1x

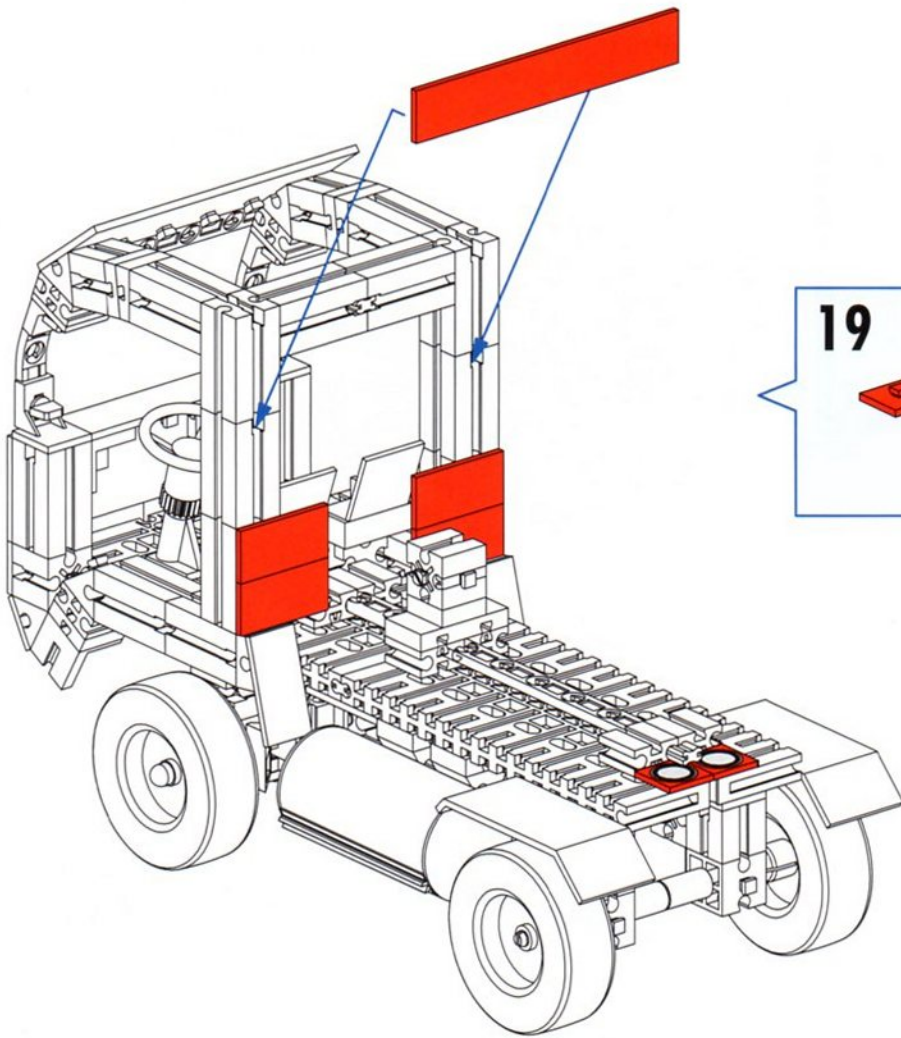


**16**  1x  1x  1x

**17**  4x  2x



**18**  3x

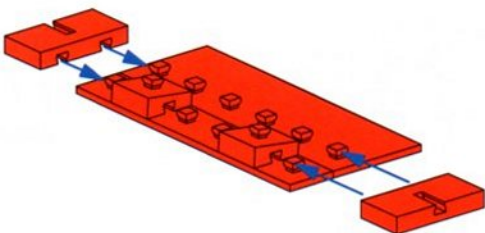
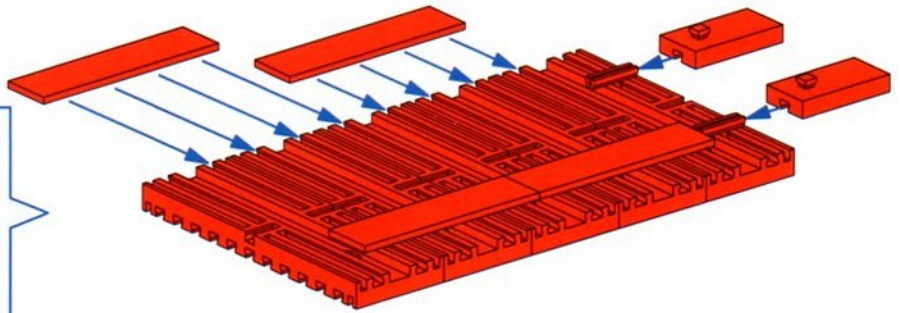


**19**

- 1x 1x6 Technic beam
- 2x 1x2 Technic Technic Pin with Friction Ridge
- 4x 1x2 Technic Technic Pin with Friction Ridge

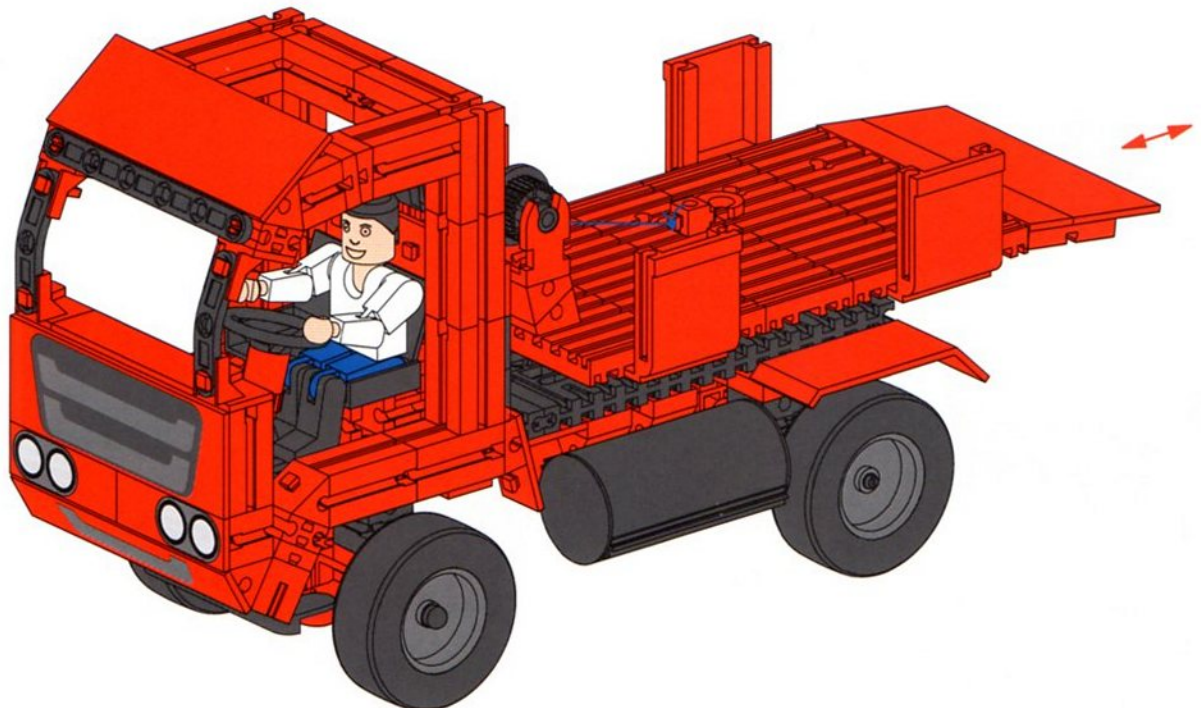
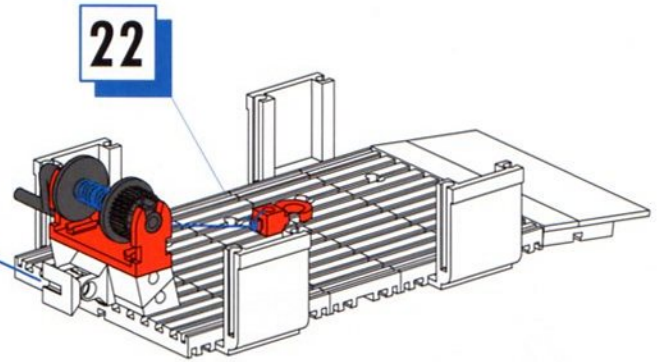
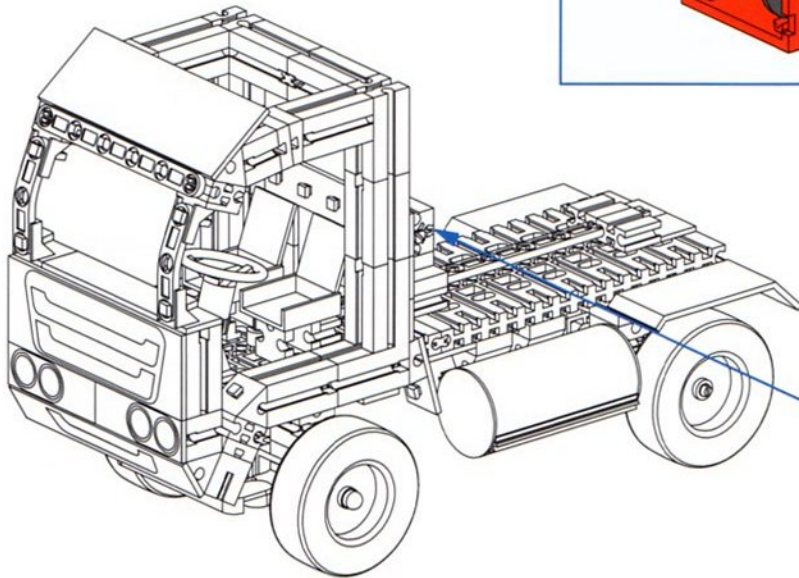
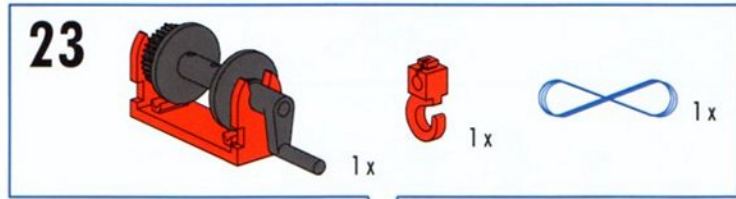
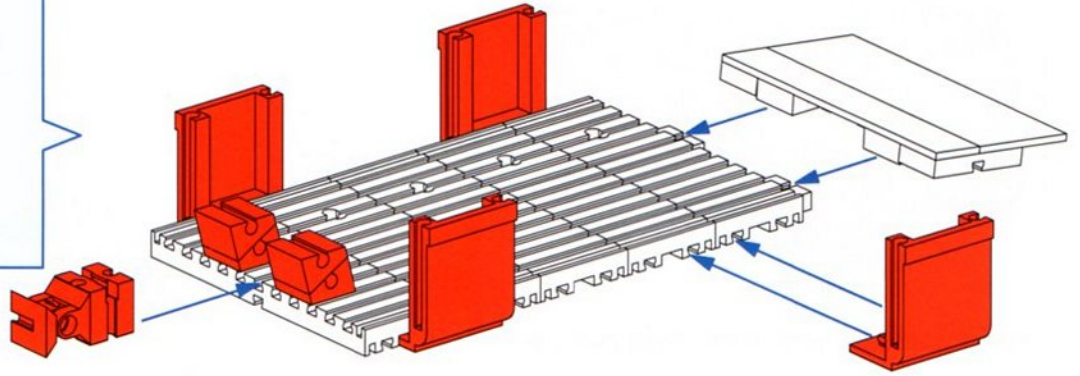
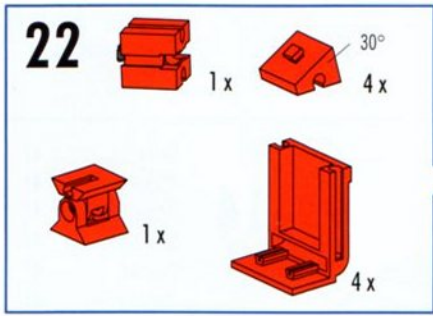
**20**

- 5x 1x10 Technic Technic Pin with Friction Ridge
- 2x 1x2 Technic Technic Pin with Friction Ridge
- 4x 1x2 Technic Technic Pin with Friction Ridge
- 2x 1x2 Technic Technic Pin with Friction Ridge



**21**

- 1x 1x6 Technic beam
- 2x 1x2 Technic Technic Pin with Friction Ridge
- 2x 1x2 Technic Technic Pin with Friction Ridge
- 1x 1x6 Technic beam

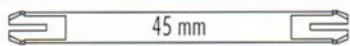
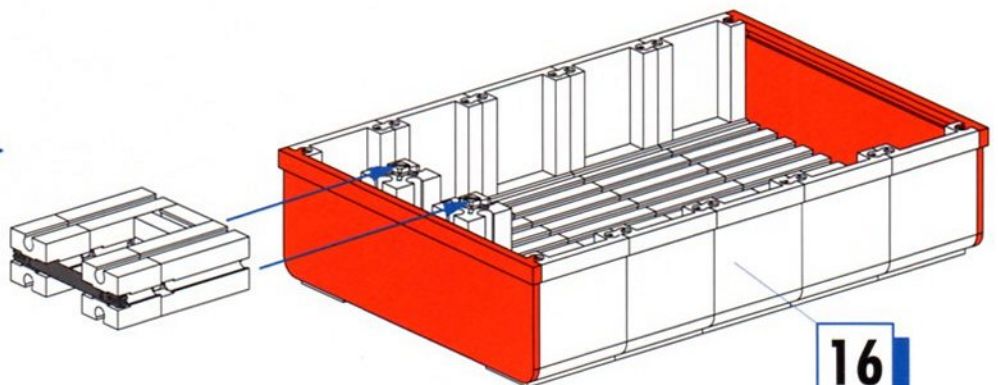
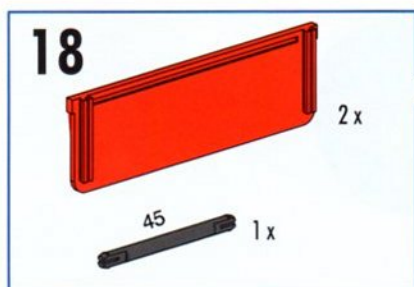
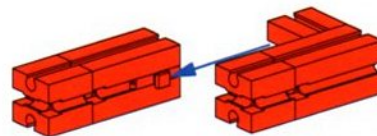
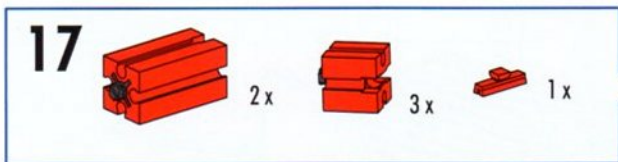
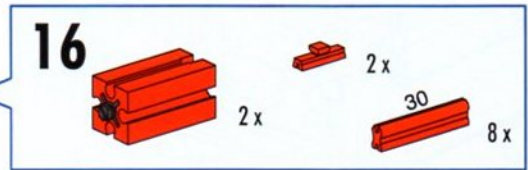
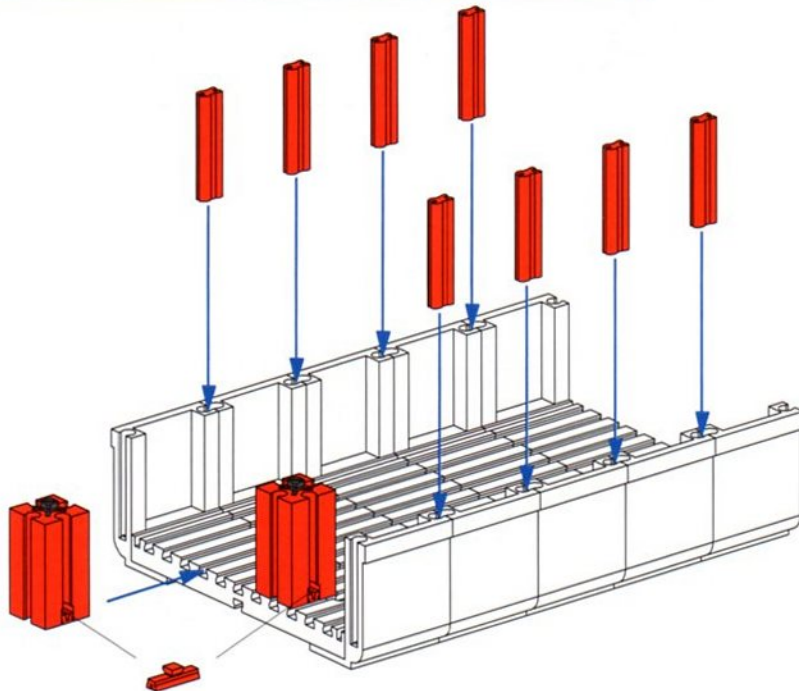
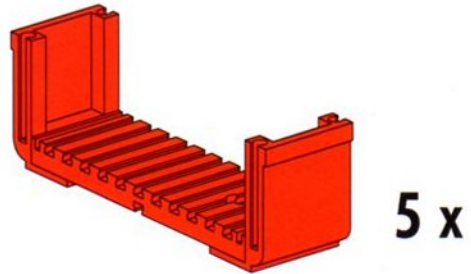
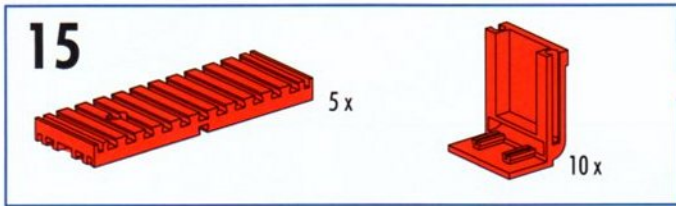


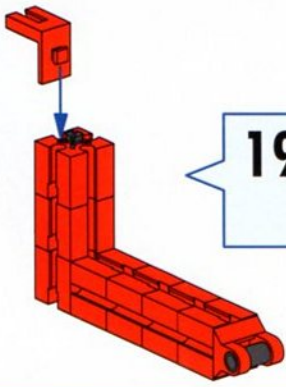
# Container Truck



1-14

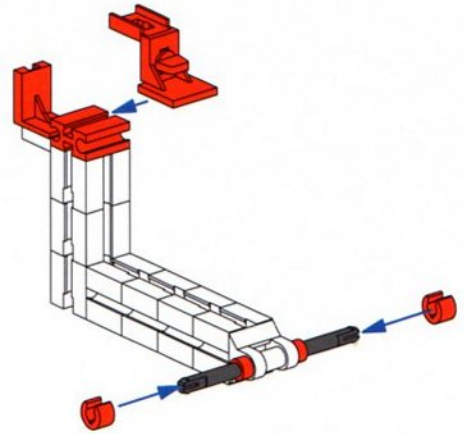
Seite . . . . . 41  
 Page . . . . . 41  
 Page . . . . . 41  
 Bladzijde . . . 41  
 Página . . . . . 41  
 Pagina . . . . . 41





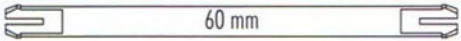
**19**

- 7x
- 1x
- 1x



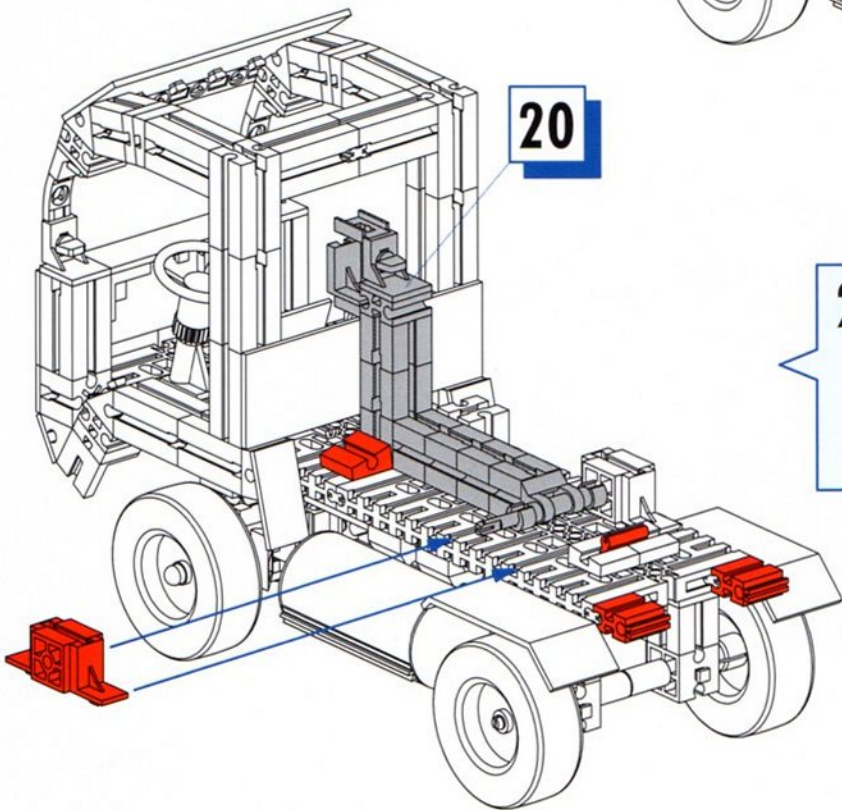
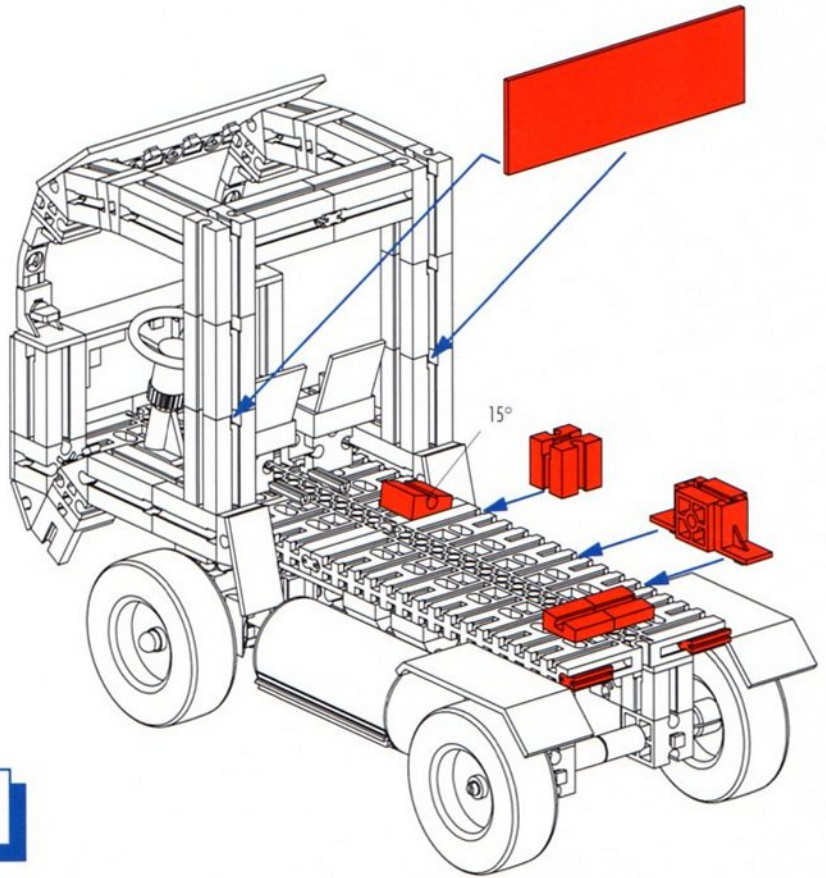
**20**

- 1x
- 2x
- 2x
- 1x
- 1x
- 1x
- 1x
- 1x



**21**

- 1x
- 1x
- 1x
- 2x
- 2x
- 1x
- 2x



**22**

- 1x
- 2x
- 1x
- 2x
- 2x
- 1x

